

iBoard®



Scan for
Installation Video

iBoard® by APS

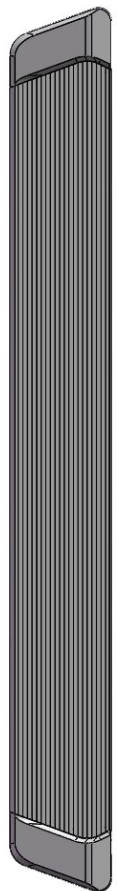
PART#: IB-R196

READ INSTRUCTIONS CAREFULLY BEFORE STARTING INSTALLATION. REMOVE CONTENTS FROM BOX AND VERIFY ALL PARTS ARE PRESENT. ASSISTANCE IS RECOMMENDED.

*ROCKER PANEL MOUNT
*NO DRILLING REQUIRED/TRIMMING MAY BE REQUIRED

Fastener Size	Tightening Torque (ft-lbs)	Required
6mm	6-7	√
8mm	16-18	√
10mm	31-32	X
12mm	56-58	X
14mm	92-94	X

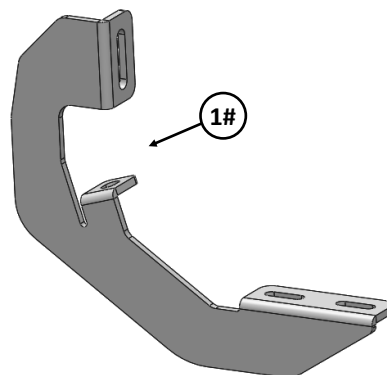
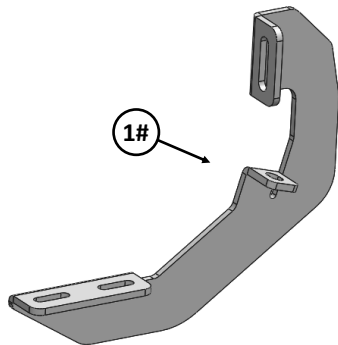
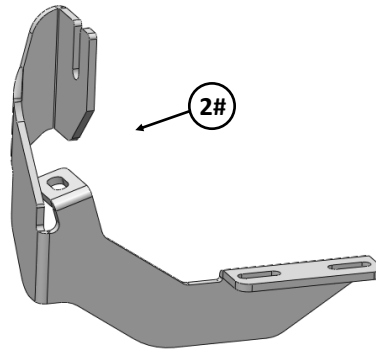
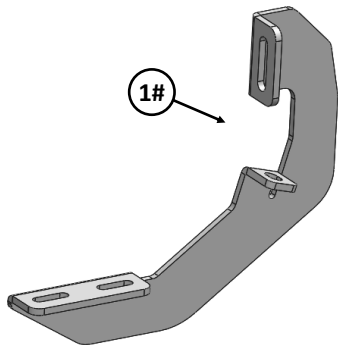
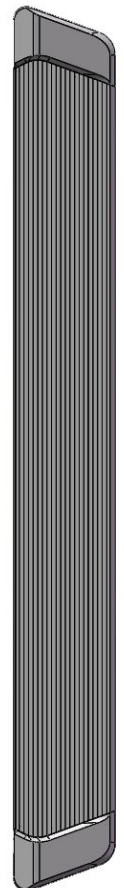
Driver



Front



Passenger

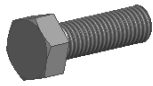


Customer Support: info@iboardauto.com



Hardware Package A (For Bracket Installation)

Item	QTY	Description	Item	QTY	Description
1#	2	Driver Front / Rear / Passenger Rear Mounting Brackets	4#	8	M8 Large Flat Washers
2#	1	Passenger Front Mounting Bracket	5#	8	M8 Lock Washers
3#	8	M8X1.25-25mm Hex Bolts	6#	8	M8 Clip Nuts



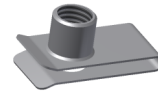
3#



4 #



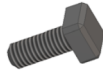
5 #



6 #

Hardware Package B (For Step Bar Installation)

Item	QTY	Description	Item	QTY	Description
1#	8	M6X1-20mm Square Head Bolts	3#	8	M6 Nylon Lock Nuts
2#	8	M6 Large Flat Washers			



1#



2#

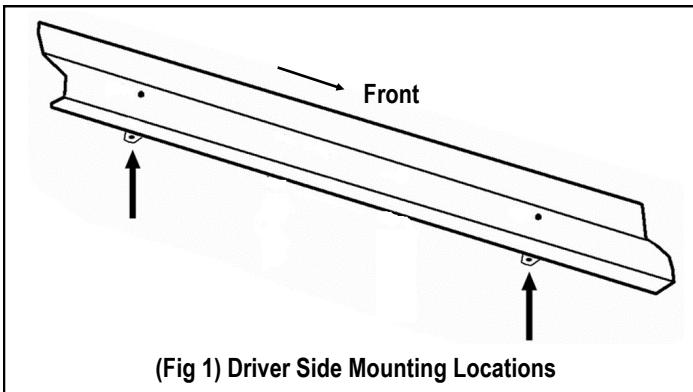


3#



STEP 1

Start the installation from the driver side of the vehicle. Locate the mounting tabs along the bottom edge of the body, (pinch weld). Mounting brackets will bolt to the 2 mounting tabs. Directly above each tab is a top mounting location on the side of the body panel, (Fig 1).



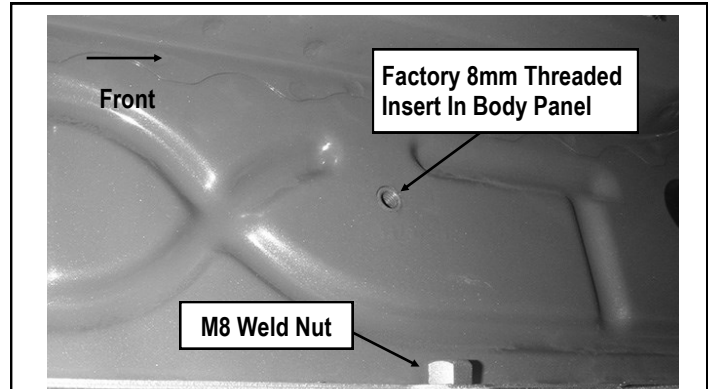
STEP 2

Determine the correct procedure for your model year and each Bracket location.

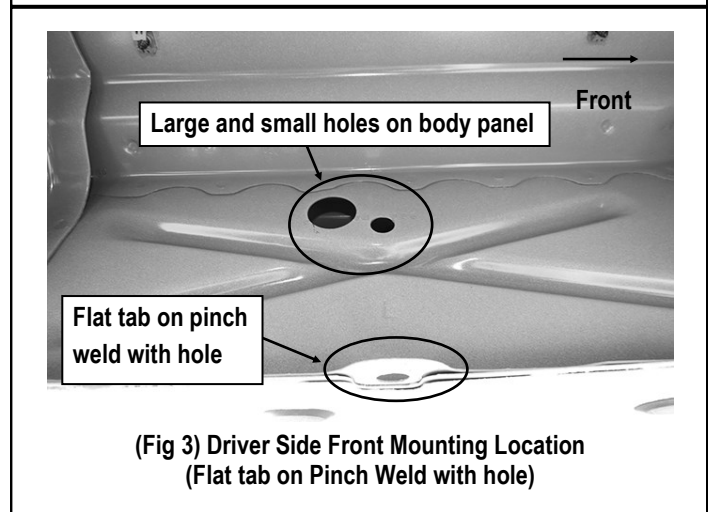
- A. Lower mounting location on the edge of the pinch weld**
- a) **Flat tab on pinch weld with factory installed weld nut:** Thread the M8X1.25-25mm Hex Bolt into the welded nut to clear the paint from threads as required, (Fig 2).
 - b) **Flat tab on pinch weld with hole (Fig 3,4) :** Select (1) M8 Clip Nut. Slide the Clip Nut over the tab with the nut facing up behind the tab. Repeat this **Step** for Driver Rear mounting location.

B. Upper mounting location on the inner side of the body panel:

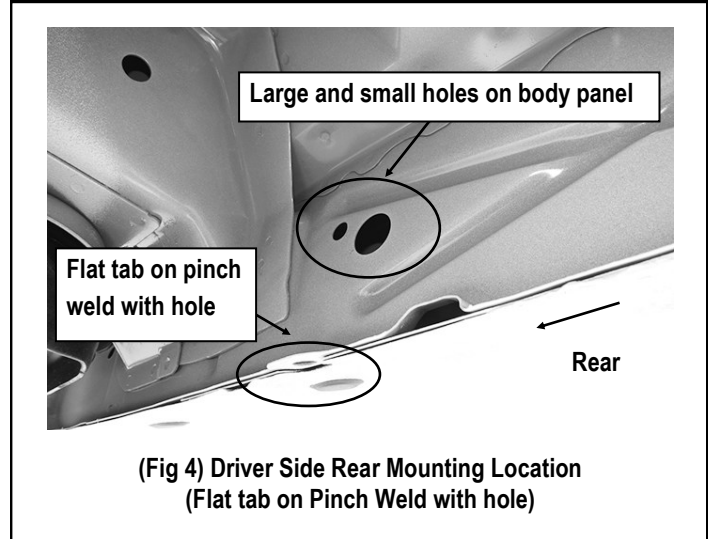
- a) **Models with factory installed threaded insert in body panel:** Thread M8X1.25-25mm Hex Bolt into the threaded insert to clear paint as required, (Fig 2).
- b) **Models with large and small holes on the body panel (Fig 3, 4):** Remove the rubber plug from the larger hole. Select (1) M8 Clip Nut. Insert the Clip Nut into the larger hole with the thread facing inner side.



(Fig 2) Driver Front Mounting Bracket Location



(Fig 3) Driver Side Front Mounting Location
(Flat tab on Pinch Weld with hole)

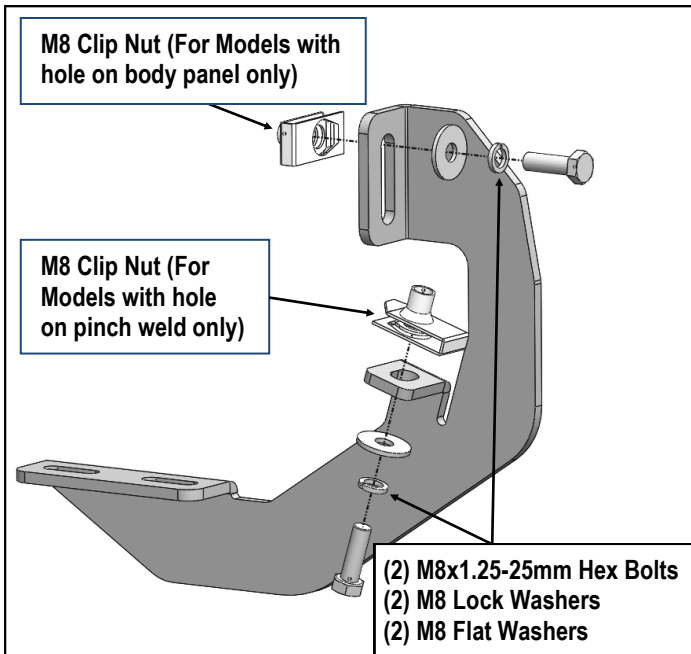


(Fig 4) Driver Side Rear Mounting Location
(Flat tab on Pinch Weld with hole)

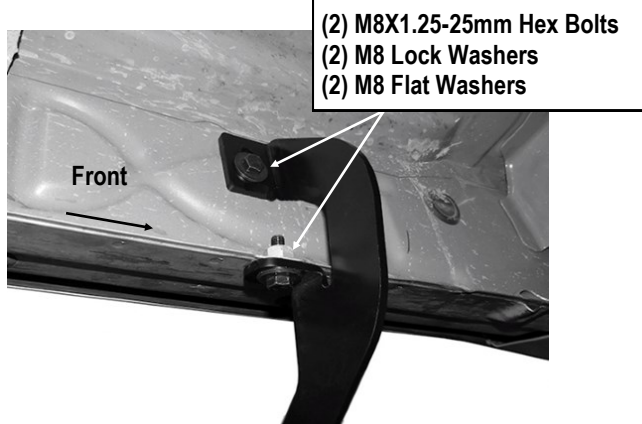


STEP 3

Select (1) Driver Front Mounting Bracket. Attach bracket to the driver side front mounting location with (2) M8X1.25-25mm Hex Bolts, (2) M8 Lock Washers and (2) M8 Large Flat Washers, (Figs 5-6). Do not fully tighten hardware at this time.



(Fig 5) Driver Front Mounting Bracket Installation



(Fig 6) Driver Front Mounting Bracket Installed

STEP 4

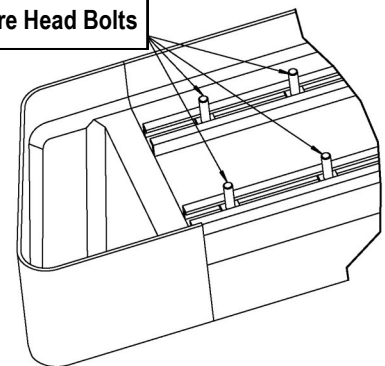
Move to the Driver Side Rear Mounting Location, Repeat **Step 2-3** to attach Driver Rear Mounting Bracket. Do not fully tighten hardware at this time.

STEP 5

Once all (2) brackets have been installed. Select a Running Board. Slip (2) M6X1-20mm Square Head Bolts into each bottom channel (Fig 7). Carefully position the Running Board onto the (2) Mounting Brackets. Attach the Running Board to each Mounting Bracket with (2) M6X1-20mm Square Head Bolts, (2) M6 Large Flat Washers and (2) M6 Nylon Lock Nuts (Fig 8). Do not fully tighten at this time.

IMPORTANT: Do not slide the Running Board on the Brackets or the bottom surface of the board will be damaged.

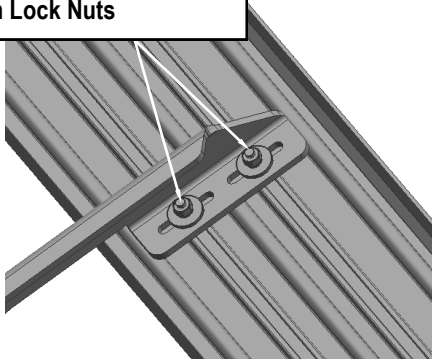
M6X1-20mm Square Head Bolts



(Fig 7) Slip M6X1-20mm Square Head Bolts Into The Bottom Channels



- (2) M6X1-20mm Square Head Bolts
- (2) M6 Large Flat Washers
- (2) M6 Nylon Lock Nuts



(Fig 8) Running Board Installed Onto Mounting Bracket

STEP 6

Move to the passenger side of the vehicle. On the Passenger side, determine if the vehicle is equipped with a plastic diesel exhaust fluid (DEF) tank, (Figs 9 -10).

Models without DEF tank, skip to Step 7.

Models with DEF tank, first determine correct procedure for your model year:

• **2007-2016 Models with DEF tank:**

The tank sits close to the side of the body. With specialized tools, the Passenger Front Mounting Bracket can be installed but room is limited. It may be easier to drop the tank down to access the inner side of the body panel to mount the bracket. Tank will not need to be removed, only dropped down for access to mounting location.

IMPORTANT: If tank is full, it will be very heavy, and assistance is highly recommended to avoid injury or damage to the vehicle or the tank. It is recommended that installation is performed when the DEF tank is low on fluid before dropping down the tank.

a. On models with plastic lower tray under the tank, remove the (3) hex bolts attaching the tray to the frame, (Fig 9), and remove the tray.

b. Release the tank filler hose. Release the plug for the sending unit on the top of the tank.

c. Support the tank with a floor jack. Place a smooth flat sur-

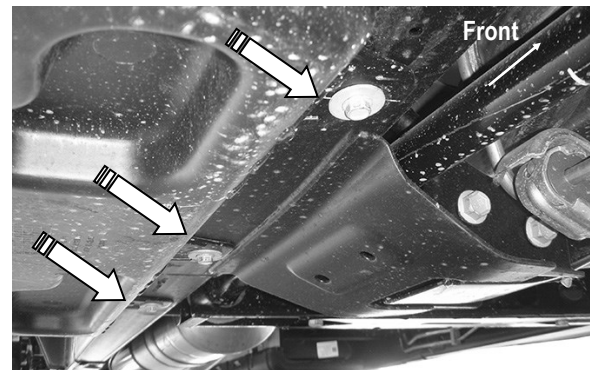
face, (wooden block for example), between the floor jack and the tank to avoid damaging the plastic tank. Do not push up on the tank; only support the weight of the tank with the jack.

d. Remove the (2) bolts securing the tank straps to the vehicle, (Fig 10). Tilt the straps to release from the brackets. Slowly lower the tank until the top of the tank is almost visible. Use blocks or stands to support the tank while installing the Passenger Front Mounting Bracket.

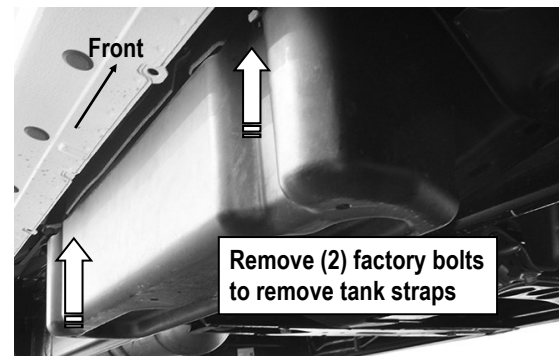
e. Proceed to Step 8

• **2017-on 2500/3500 models:**

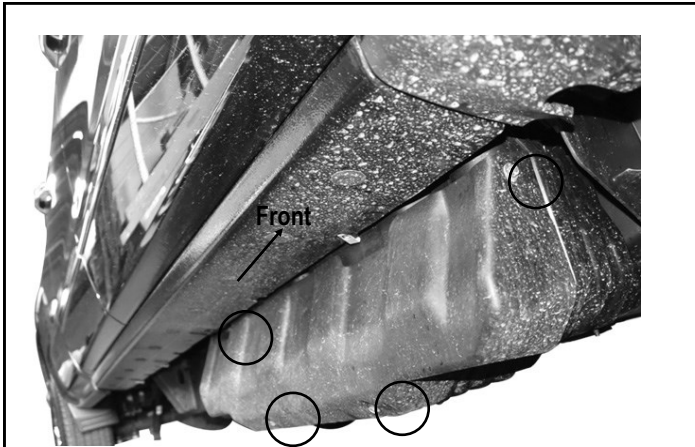
Do not remove the tank. Remove the (4) hex bolts attaching the plastic cover to DEF tank, (Fig 11A) and remove the plastic cover only, (Fig 11B).



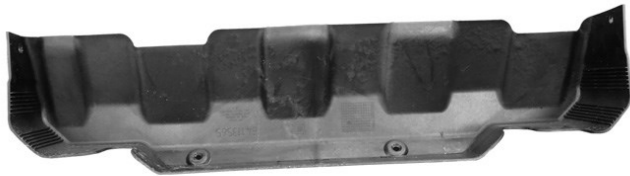
(Fig 9) 07-16 Passenger/Right front pictured with DEF tank cover. Remove (3) hex bolts to remove cover



(Fig 10) Passenger side 07-16 DEF tank and cover



(Fig 11A) 17-on Passenger side pictured with DEF plastic tank cover. Remove (4) hex bolts to remove plastic cover

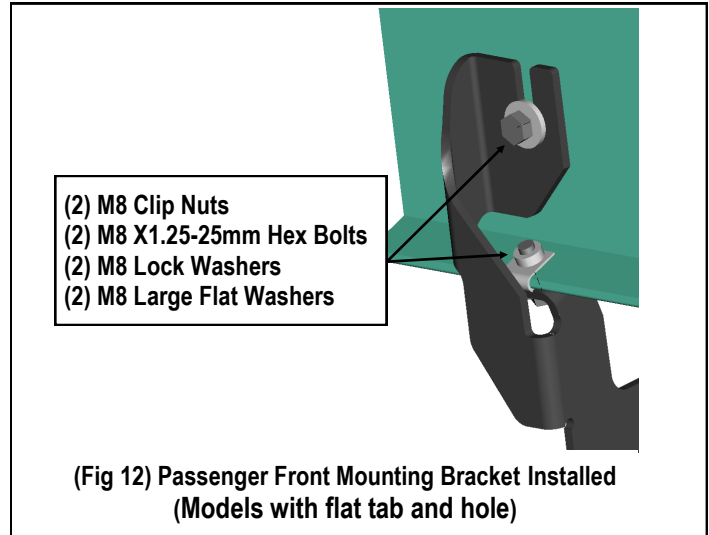


(Fig 11B) 17-on Passenger side DEF cover removed

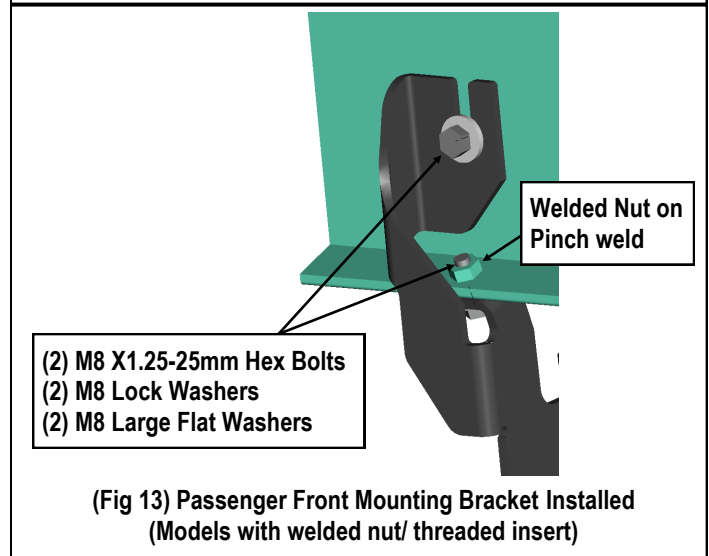
STEP 7

Locate the first tab on the edge of the pinch weld, attach the Passenger Front Mounting Bracket to the pinch weld and top body panel (Figs 12 & 13):

- Models with flat tab and hole:** see Fig 12. Leave loose at this time.
- Models with weld-nut:** see Fig 13. Leave loose at this time.



(Fig 12) Passenger Front Mounting Bracket Installed
(Models with flat tab and hole)

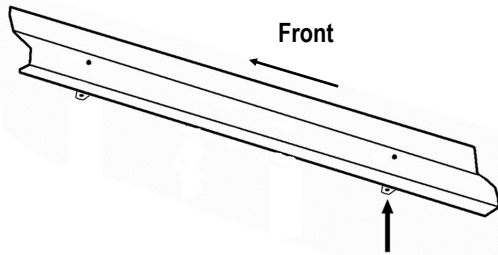


(Fig 13) Passenger Front Mounting Bracket Installed
(Models with welded nut/ threaded insert)

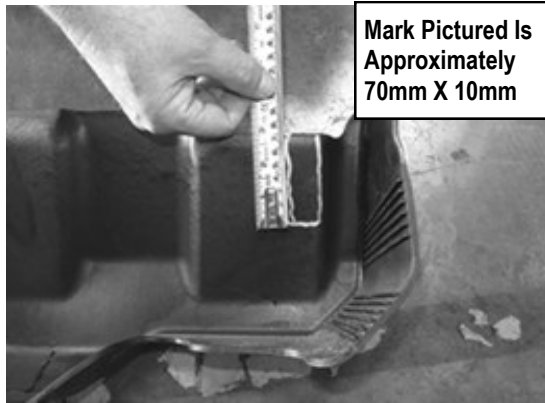
STEP 8

Repeat **Steps 1—4** for the passenger side rear mounting bracket installation.

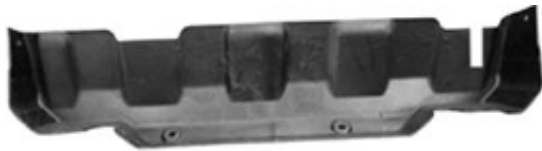
2017-up 2500/3500 DEF tank models: Locate the rear tab bracket location along the bottom edge of the body, (pinch weld), (Fig 14). Hold the DEF cover in place and mark the Rear Bracket location onto the cover, (Fig 15). Use a sharp knife or hacksaw blade to carefully cut a slot in the plastic cover to clear the Rear Bracket, (Fig 16). Remove as little plastic as possible.



(Fig 14) Passenger Side Rear Mounting Location



(Fig 15) 2017-Up Passenger Side DEF Cover
Marked For Trimming



(Fig 16) 17-Up Passenger Side DEF Cut For Example Only

STEP 9

Repeat **Step 5** for the other side Running Board installation. Level and adjust the Running Board and fully tighten all hardware.

Important: Please follow the recommended Tightening Torques shown in the table on page 1. Don't over tighten, or the nuts/bolts will be damaged.

STEP 10

Once the Side Steps are installed and all hardware fully tightened, reinstall the DEF tank and cover, if equipped, which was removed in **Step 6**.

The installation is completed.

Attention

Do periodic inspections to the installation to make sure that all hardware is secure and tight.

In order to protect your bars/boards, please use mild soap/non-abrasive products for cleaning only.