

# iBoard®

## iBoard® by APS

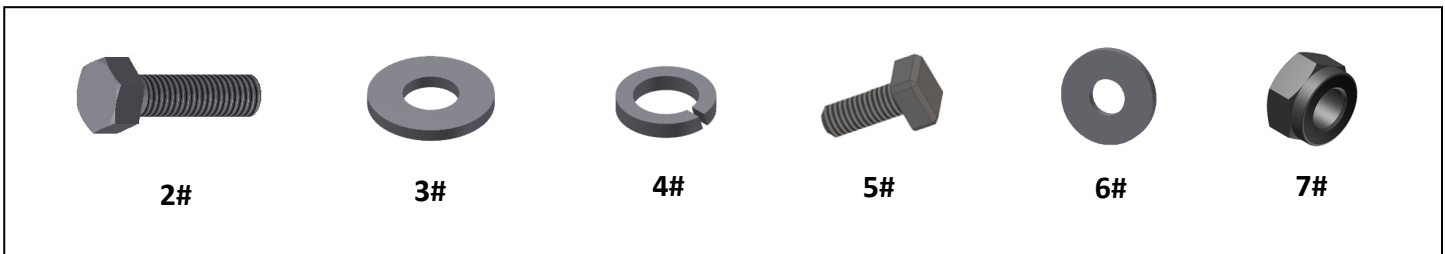
PART#: IB-R171

READ INSTRUCTIONS CAREFULLY BEFORE STARTING INSTALLATION. REMOVE CONTENTS FROM BOX AND VERIFY ALL PARTS ARE PRESENT. ASSISTANCE IS RECOMMENDED.

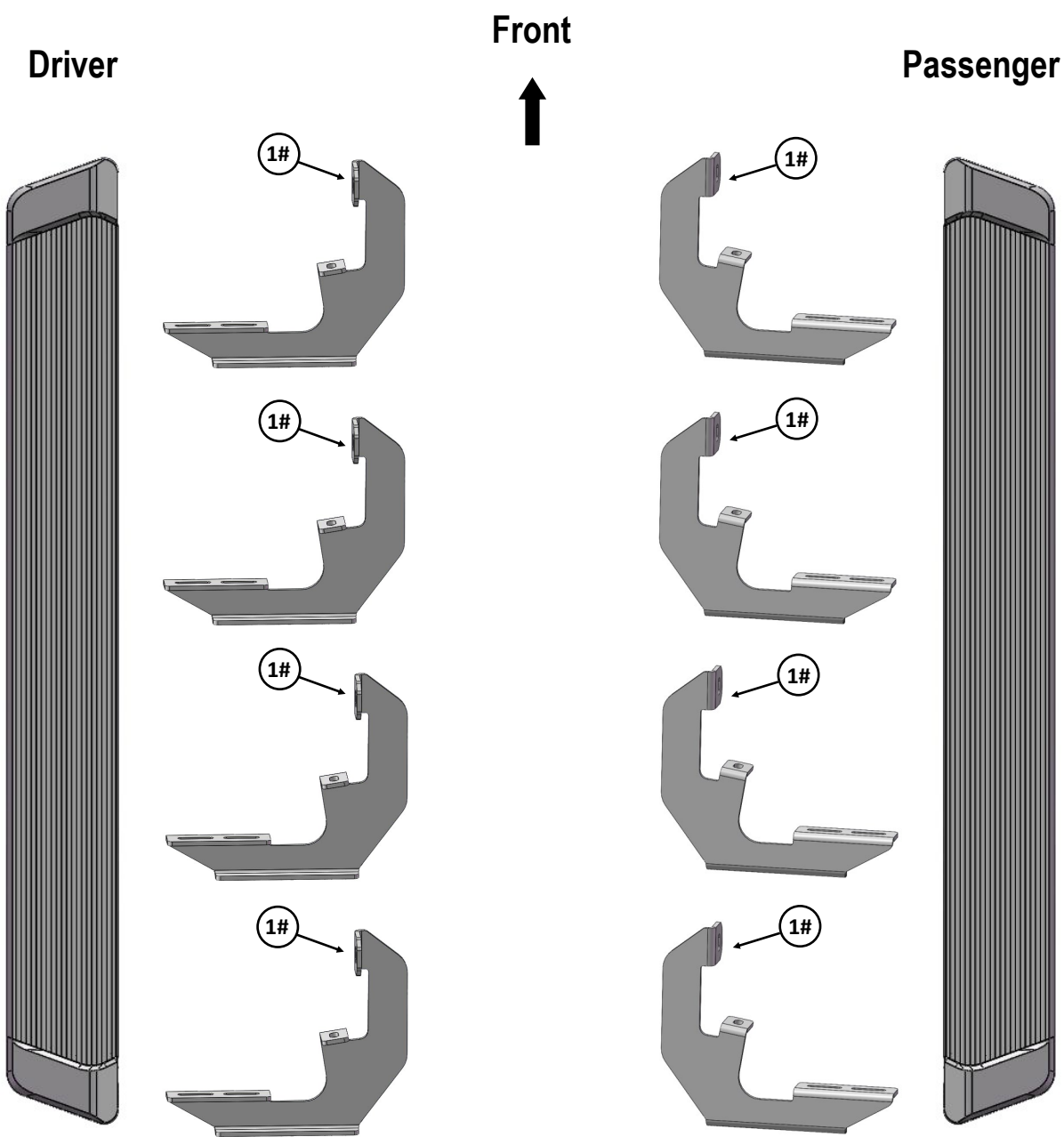
\*ROCKER PANEL MOUNT  
\*NO DRILLING REQUIRED

| Fastener Size | Tightening Torque (ft-lbs) | Required |
|---------------|----------------------------|----------|
| 6mm           | 6-7                        | √        |
| 8mm           | 16-18                      | √        |
| 10mm          | 31-32                      | X        |
| 12mm          | 56-58                      | X        |
| 14mm          | 92-94                      | X        |

| Item | QTY | Description            | Item | QTY | Description                 |
|------|-----|------------------------|------|-----|-----------------------------|
| 1#   | 8   | Mounting Brackets      | 5#   | 16  | M6X1-20mm Square Head Bolts |
| 2#   | 16  | M8X1.25-30mm Hex Bolts | 6#   | 16  | M6 Large Flat Washers       |
| 3#   | 16  | M8 Large Flat Washers  | 7#   | 16  | M6X1 Nylon Lock Nuts        |
| 4#   | 16  | M8 Lock Washers        |      |     |                             |



# iBoard®

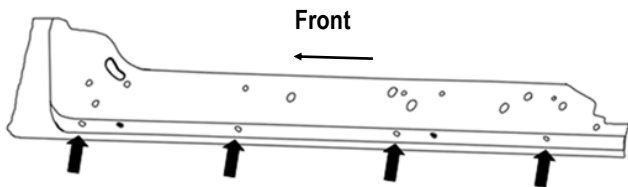


# iBoard®

## STEP 1

Start the installation under the passenger side of the vehicle. Locate the 6 plugs along the bottom edge of the body. Mounting Brackets will bolt to the 1st, 3rd, 4th and 6th threaded mounting holes, (**Fig 1**). Remove the plastic plugs from each mounting location. Directly above each threaded insert is a top mounting location on the side of the body panel. Hold a Bracket up in place to help determine the mounting holes to use along the body.

**NOTE:** Thread an 8mm Hex Bolt into the threaded inserts to clear paint as required.

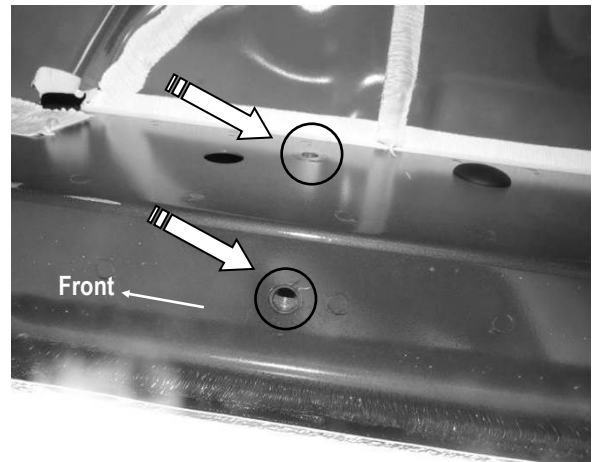


(Fig 1) Passenger Side Mounting Location

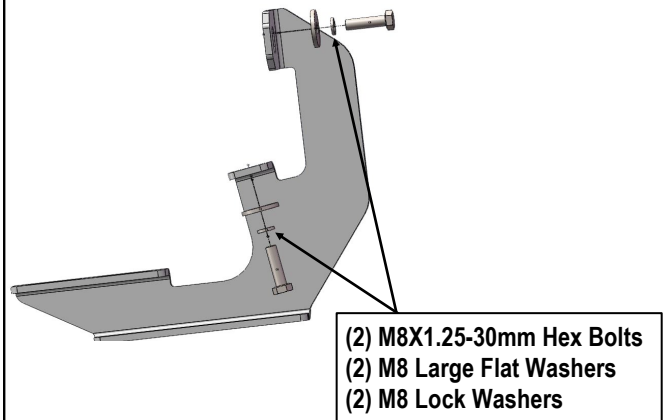
## STEP 2

Start from the Passenger Side Front Mounting location, (**Fig 2**). Bolt the Passenger Front Mounting Bracket to the factory threaded holes with (2) M8X1.25-30mm Hex Bolts, (2) M8 Large Flat Washers and (2) M8 Lock Washers (**Fig 3**). Don't fully tighten hardware at this time.

**Note:** (8) Mounting Brackets are universal.



(Fig 2) Passenger Side Front Mounting Location



(Fig 3) Passenger Front Mounting Bracket Installed

## STEP 3

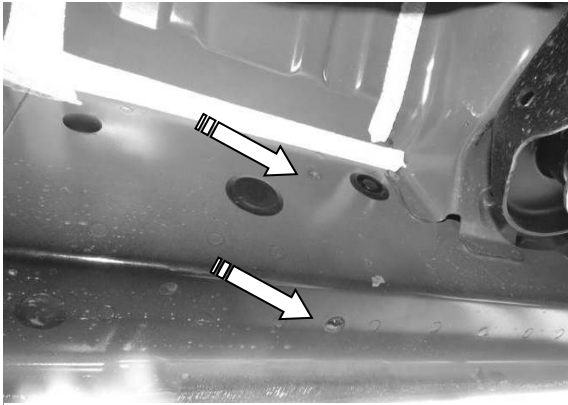
Move to Passenger 2nd, 3rd and rear Mounting locations, (**Fig 4-6**). Repeat **Step 2** to install the Passenger Center Mounting Bracket, Passenger Center 1 Mounting Bracket and Passenger Rear Mounting Bracket. Don't fully tighten at this time.

# iBoard®

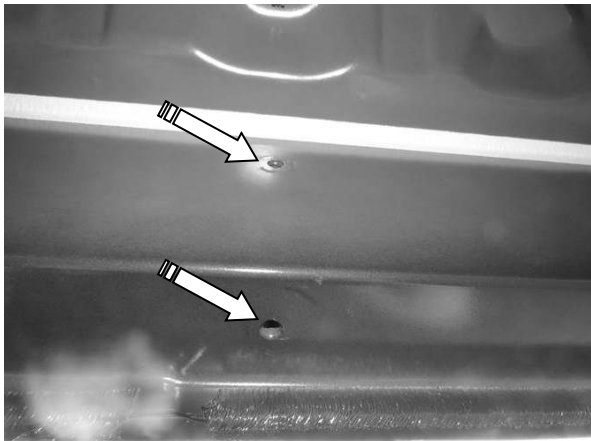
## STEP 4

Select a Running Board. Slip (4) M6x1-20mm Square Head Bolts into each bottom channel (**Fig 7**). Carefully position the Running Board onto the (4) Mounting Brackets.

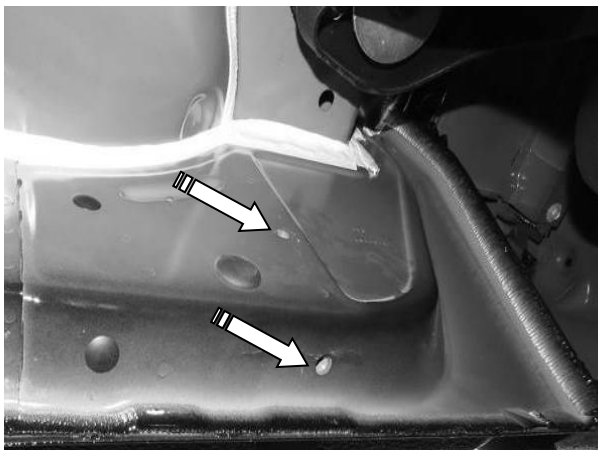
**IMPORTANT:** Do not slide the Running Board on the Brackets or the bottom surface of the board will be damaged. Attach the Running Board to each Mounting Bracket with (2) M6x1-20mm Square Head Bolts, (2) M6 Large Flat Washers and (2) M6 X1 Nylon Lock Nuts (**Fig 8**). Do not fully tighten at this time.



(Fig 4) Passenger 2nd Mounting Bracket Location

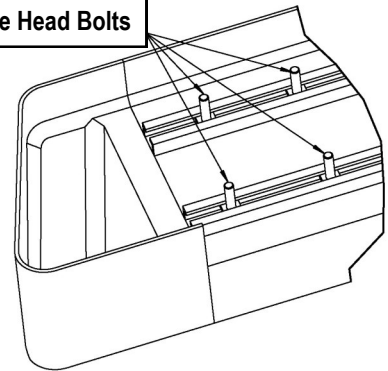


(Fig 5) Passenger 3rd Mounting Bracket Location



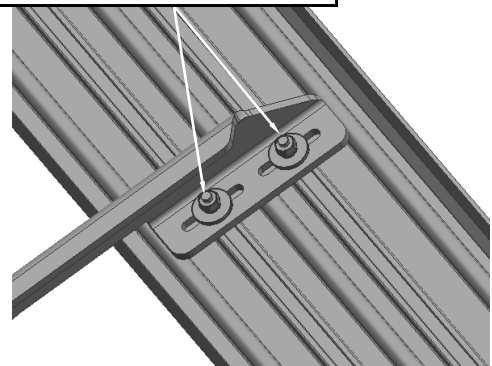
(Fig 6) Passenger Rear Mounting Bracket Location

M6X1-20mm Square Head Bolts



(Fig 7) Slip M6X1-20mm Square Head Bolts Into The Bottom Channels

(2) M6X1-20mm Square Head Bolts  
(2) M6 Large Flat Washers  
(2) M6 Nylon Lock Nuts



(Fig 8) Running Board Installed Onto Mounting Bracket

# iBoard®

## STEP 5

Level and adjust the Running Board and fully tighten all hardware.

**Important:** Please follow the recommended Tightening Torques shown in the table on page 1. Don't over tighten, or the nuts/bolts will be damaged.

## STEP 6

Repeat **Steps 1-5** for the other side Running Board installation. The installation is completed .

### Attention

Do periodic inspections to the installation to make sure that all hardware is secure and tight.

In order to protect your bars/boards, please use only mild soap/non-abrasive products for cleaning.