

iBoard®



Scan for
Installation Video

iBoard® by APS

PART#: IB-091C&H

READ INSTRUCTIONS CAREFULLY BEFORE STARTING INSTALLATION. REMOVE CONTENTS FROM BOX AND VERIFY ALL PARTS ARE PRESENT. ASSISTANCE IS RECOMMENDED.

*BODY FRAME MOUNT
*NO DRILLING REQUIRED

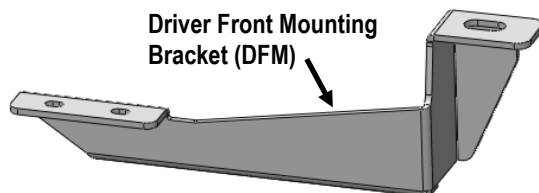
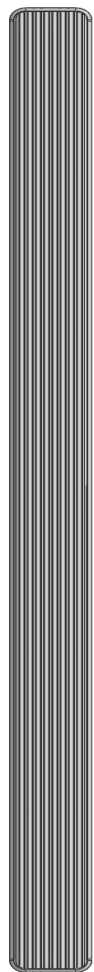
Fastener Size	Tightening Torque (ft-lbs)	Required
6mm	6-7	X
8mm	16-18	√
10mm	31-32	X
12mm	56-58	X
14mm	92-94	X

PART LIST

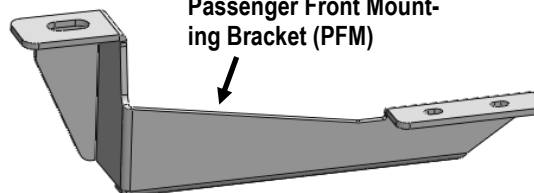
Driver Side Step Bar

Front

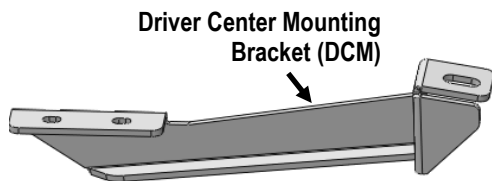
Passenger Side Step Bar



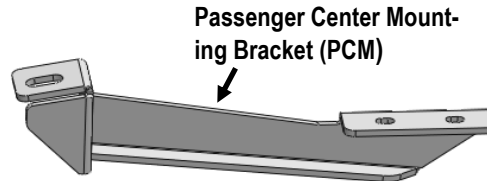
Driver Front Mounting Bracket (DFM)



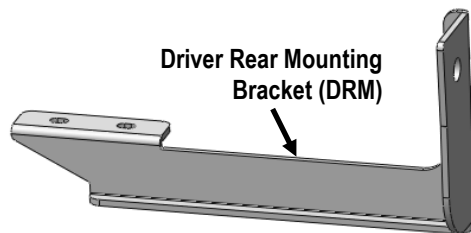
Passenger Front Mounting Bracket (PFM)



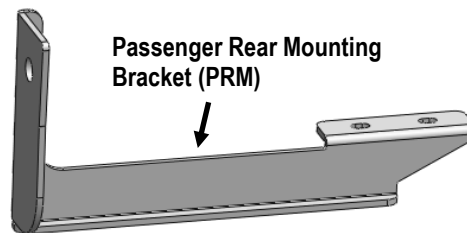
Driver Center Mounting Bracket (DCM)



Passenger Center Mounting Bracket (PCM)



Driver Rear Mounting Bracket (DRM)



Passenger Rear Mounting Bracket (PRM)



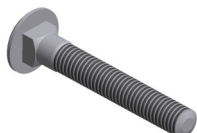
Customer Support: info@iboardauto.com



Scan for
Installation Video

Hardware Package (For Stainless Steel Step Bar Installation)

Item	QTY	Description	Item	QTY	Description
1#	12	M8X1.25-35mm Carriage Bolts	3#	12	M8 Nylon Lock Nuts
2#	12	M8 Large Flat Washers	4#	6	Sliders (Packed with Step Bars)



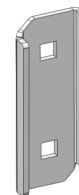
1 #



2 #



3 #



4 #



STEP 1

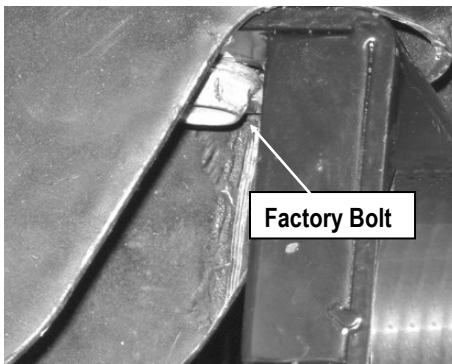
Start installation from the passenger side front of the vehicle. Remove passenger side front body mount bolts from vehicle. **NOTE:** Do not remove body mount bushings.

STEP 2

Hang the Passenger Front Mounting Bracket (PFM) into positions by partially threading factory bolts back into body mounts (Fig 1). Do not fully tighten hardware at this time.

STEP 3

Move to the center of the vehicle. Repeat **Step 1** for Passenger Center Mounting Bracket (PCM) installation. Do not fully tighten hardware at this time.

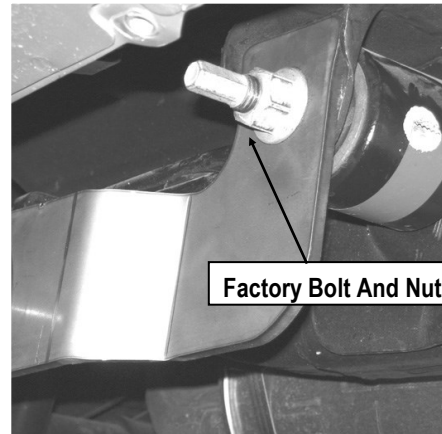


(Fig 1) Passenger Side Front Mounting Bracket Installation

STEP 4

From underside of the vehicle, remove the existing passenger side front leaf spring mounting bolt nut (Fig 2). **WARNING!** Do not attempt to remove the bolt from leaf spring.

Position Passenger Rear Mounting Bracket (PRM) onto leaf spring mounting bolt cavity. Attach Mounting Bracket to vehicle using the factory nut and bolt. Do not fully tighten hardware at this time. **NOTE:** Keep adjusting Mounting Bracket into place as you tighten the nut and bolt.



(Fig 2) Passenger Side Rear Mounting Bracket Installation

STEP 5

Once all (3) Passenger side mounting brackets are installed, then proceed to the Step Bar installation. (Figs 3&4)

- (1) Select (1) Slider and (2) M8X1.25-35mm Carriage Bolts;
- (2) Install (2) M8X1.25-35mm Carriage Bolts in (1) Slider.
- (3) Slide the Slider (with carriage bolts) to the **Step Bar**.
- (4) Repeat to install the other (2) sliders to the step bar.
- (5) Attach the Step Bar (with the Sliders) onto the installed mounting brackets. Position the Sliders to the installed brackets. Secure the Step Bar to the installed Brackets by using (6) M8 Large Flat Washers and (6) M8 Nylon Lock Nuts and (3) Sliders, (Fig 4). Do not fully tighten hardware at this time.

Note: The Sliders are packed with the Step Bars.

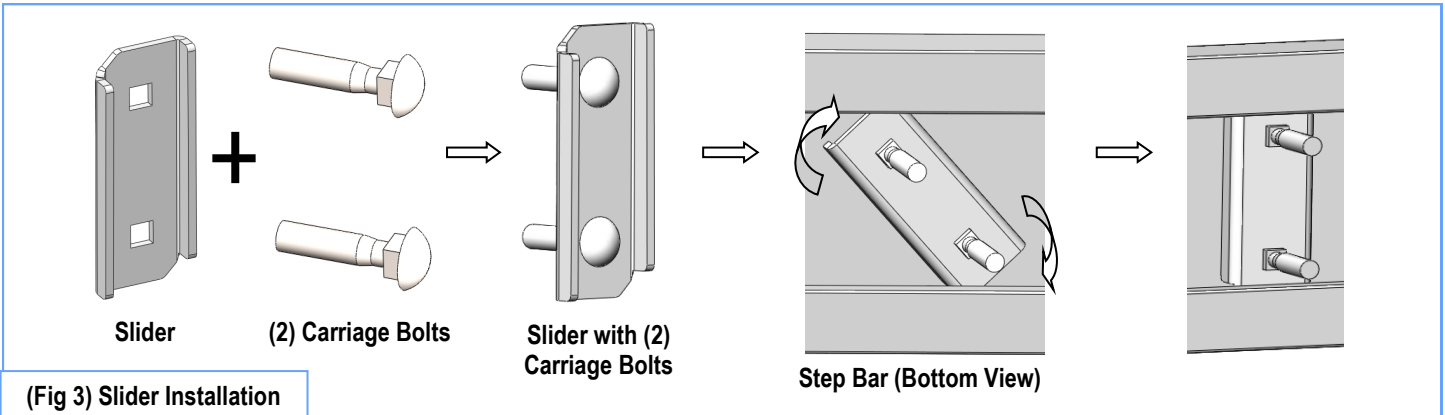
Level and adjust the Step Bar and fully tighten all hardware.

Repeat **Steps 1-5** for the other side Step Bar installation. **The installation is completed!!!**

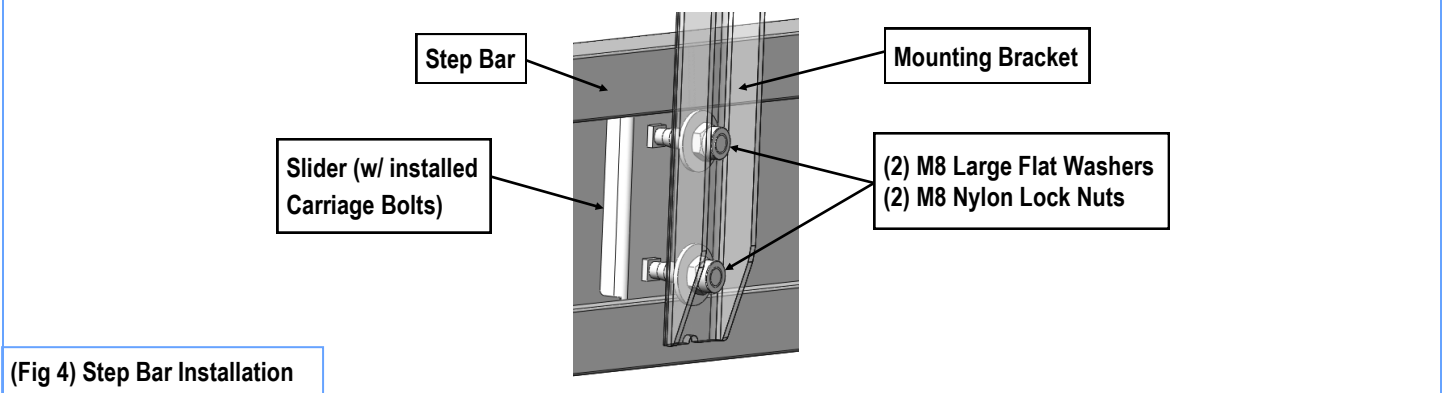
Attention

Do periodic inspections to the installation to make sure that all hardware is secure and tight.

In order to protect your bars/boards, please use mild soap/non-abrasive products for cleaning only.



(Fig 3) Slider Installation



(Fig 4) Step Bar Installation