

iBoard®

iBoard® by APS

PART#: IB-069A-B

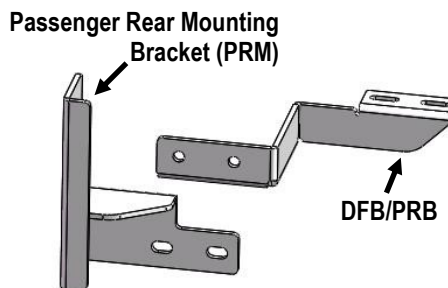
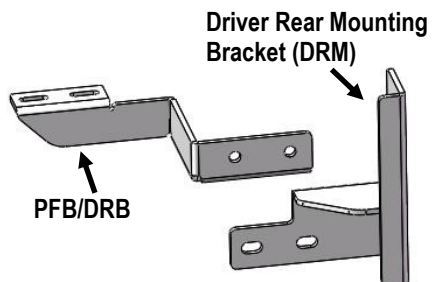
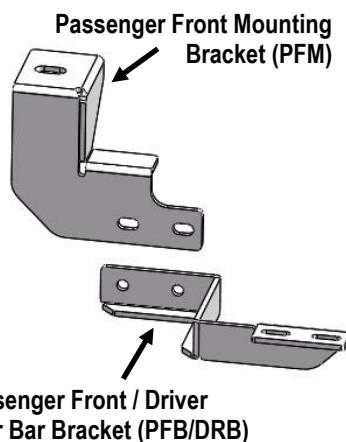
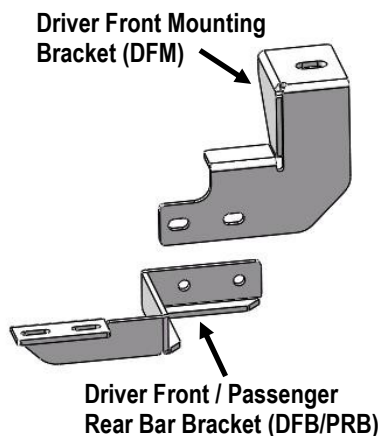
READ INSTRUCTIONS CAREFULLY BEFORE STARTING INSTALLATION. REMOVE CONTENTS FROM BOX AND VERIFY ALL PARTS ARE PRESENT. ASSISTANCE IS RECOMMENDED.

*BODY FRAME MOUNT
*NO DRILLING REQUIRED

Fastener Size	Tightening Torque (ft-lbs)
6mm	6-7
8mm	16-18
10mm	31-32
12mm	56-58
14mm	92-94

PART LIST

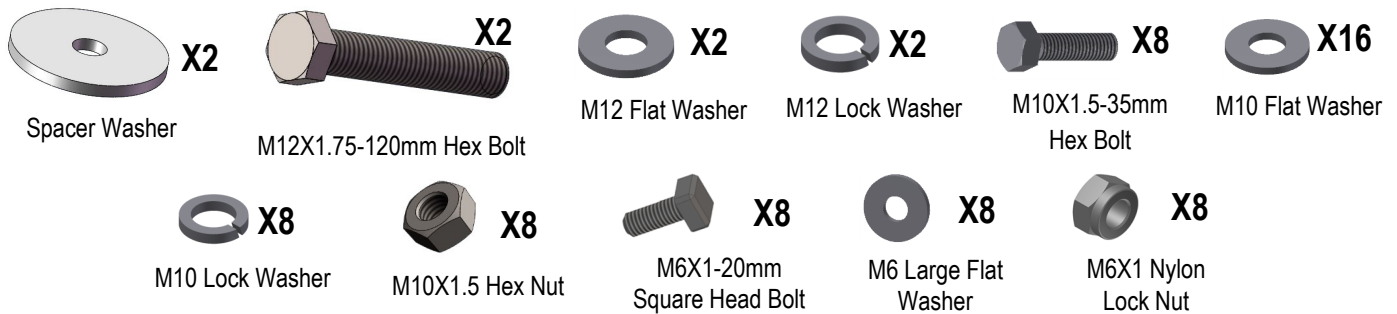
Front
↑



Note: *Driver Front / Passenger Rear Bar Brackets are universal
*Passenger Front / Driver Rear Bar Brackets are universal

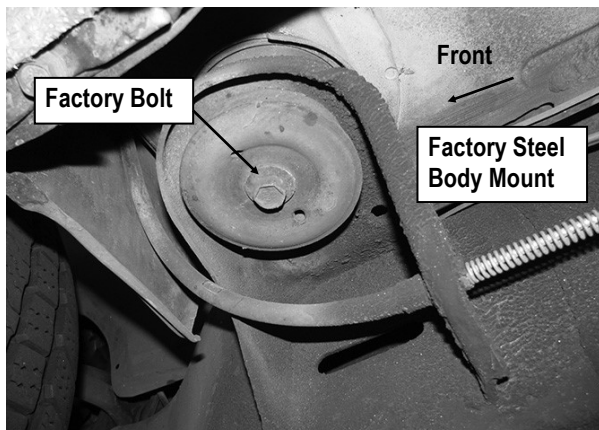
Customer Support: info@iboardauto.com

iBoard®



STEP 1

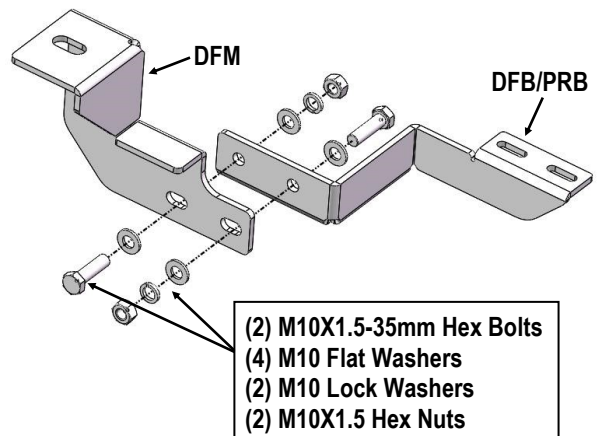
Start installation from the driver side front of the vehicle, temporarily remove the front body mount bolt, steel washer (if equipped), and rubber bushing, (Fig 1). **Note:** Do not discard hardware.



(Fig 1) Driver Side Front Mounting Location

STEP 2

Select the Driver Front Mounting Bracket (DFM) and the Driver Front Bar Bracket (DFB/PRB). Assemble with (2) M10X1.5-35mm Hex Bolt, (4) M10 Flat Washers, (2) M10 Lock Washers and (2) M10X1.5 Hex Nuts, (Fig 2). Do not fully tighten hardware at this time.



(Fig 2) Driver Side Front Brackets Assembly

STEP 3

Select the assembled Driver Front Bracket. Install Driver Front Mounting Bracket with (1) factory bolt, (1) factory steel washer, (if equipped), and (1) rubber bushing. Bolt the Mounting Bracket up in position against the body mount but do not tighten at this time.

NOTE: On some model/years, the factory body mount bolt may not be long enough to go through the Front Mounting Bracket and up into the body mount. Replace the factory bolt with the included (1) M12X1.75-120mm Hex Bolt, (1) M12 Lock Washer and (1) M12 Flat Washer. Do not fully tighten hardware at this time.

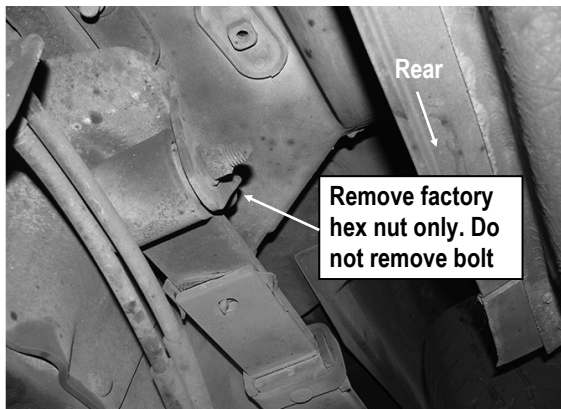
IMPORTANT: To prevent unnecessary noise, adjust the position of the Front Mounting Bracket so that the Brackets do not come in contact with the steel body mount bracket. If necessary, the Driver Front Mounting Bracket can be swapped driver side to passenger side to clear the gusset on the Bracket.

iBoard®

STEP 4

Move toward the driver side rear of the vehicle. Remove the factory Hex Nut from the leaf spring bolt, (Fig 3).

IMPORTANT: Do not remove the hex bolt, only remove the outer nut.



(Fig 3) Driver Side Rear Mounting Location

STEP 5

Repeat **Step 2** for Driver Rear Mounting Bracket (DRM) and the Driver Rear Bar Bracket (PFB/DRB) assembly, (Fig 6).

Slide (1) Spacer Washer over the Hex Bolt, (Fig 4). Slide the assembled Driver Rear Mounting Bracket over the end of the hex bolt and up against the Spacer Washer. Reuse the factory hex nut to attach the Bracket to the hex bolt, (Fig 5). Do not fully tighten hardware at this time. **NOTE:** Use the **top** mounting hole in the Bracket for **2WD** models and use the **2nd or lower** hole for **4WD** models.

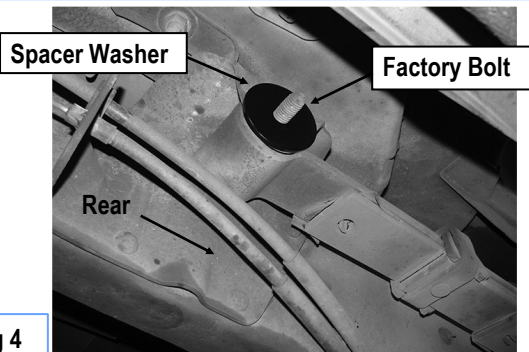
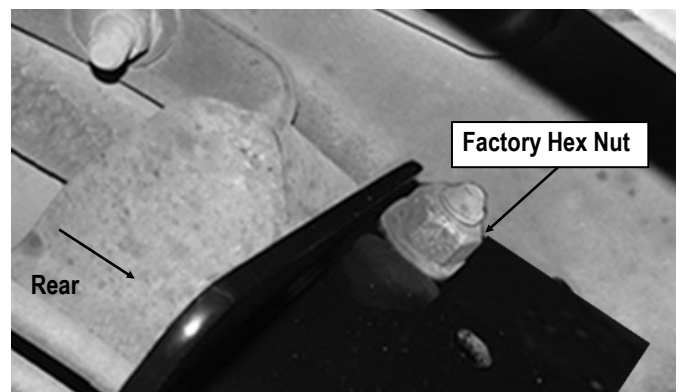
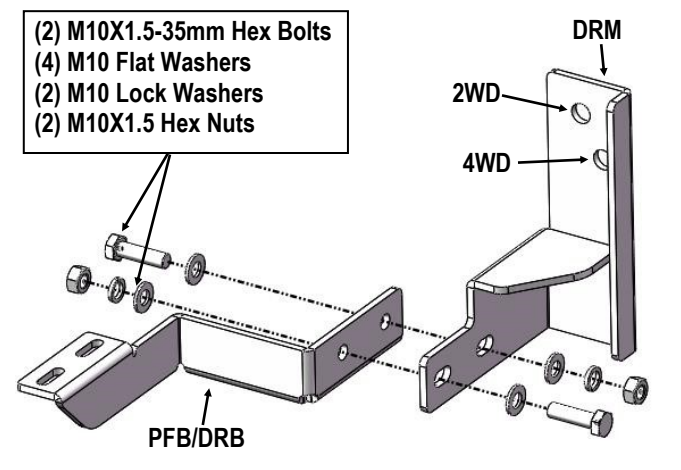


Fig 4



(Fig 5) Driver Side Rear Mounting Installation



(Fig 6) Driver Side Rear Brackets Assembly

STEP 6

Select a Running Board. Slip (2) M6X1-20mm Square Head Bolts into each bottom channel, (Fig 7). Carefully position the Running Board onto the (2) Mounting Brackets.

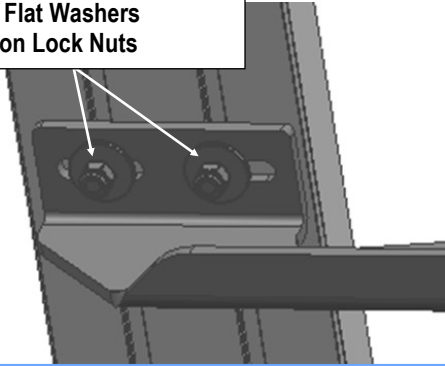
IMPORTANT: Do not slide the Running Board on the Brackets or the bottom surface of the board will be damaged. Attach the Running Board to each Mounting Bracket with (2) M6x1-20mm Square Head Bolts, (2) M6 Large Flat Washers and (2) M6 X1 Nylon Lock Nuts, (Fig 8). Do not fully tighten at this time.

iBoard®



(Fig 7) Slip M6X1-20mm Square Head Bolts Into The Bottom Channels

- (2) M6X1-20mm Square Head Bolts
- (2) M6 Large Flat Washers
- (2) M6X1 Nylon Lock Nuts



(Fig 8) Running Board Installed Onto the Mounting Bracket

STEP 7

Level and adjust the Running Board and fully tighten all hardware.

STEP 8

Repeat **Steps 1-7** for other side Running Board installation. The installation is completed.

Attention

Do periodic inspections to the installation to make sure that all hardware is secure and tight.

In order to protect your bars/boards, please use only mild soap/non-abrasive products for cleaning.