

iBoard®

iBoard® by APS

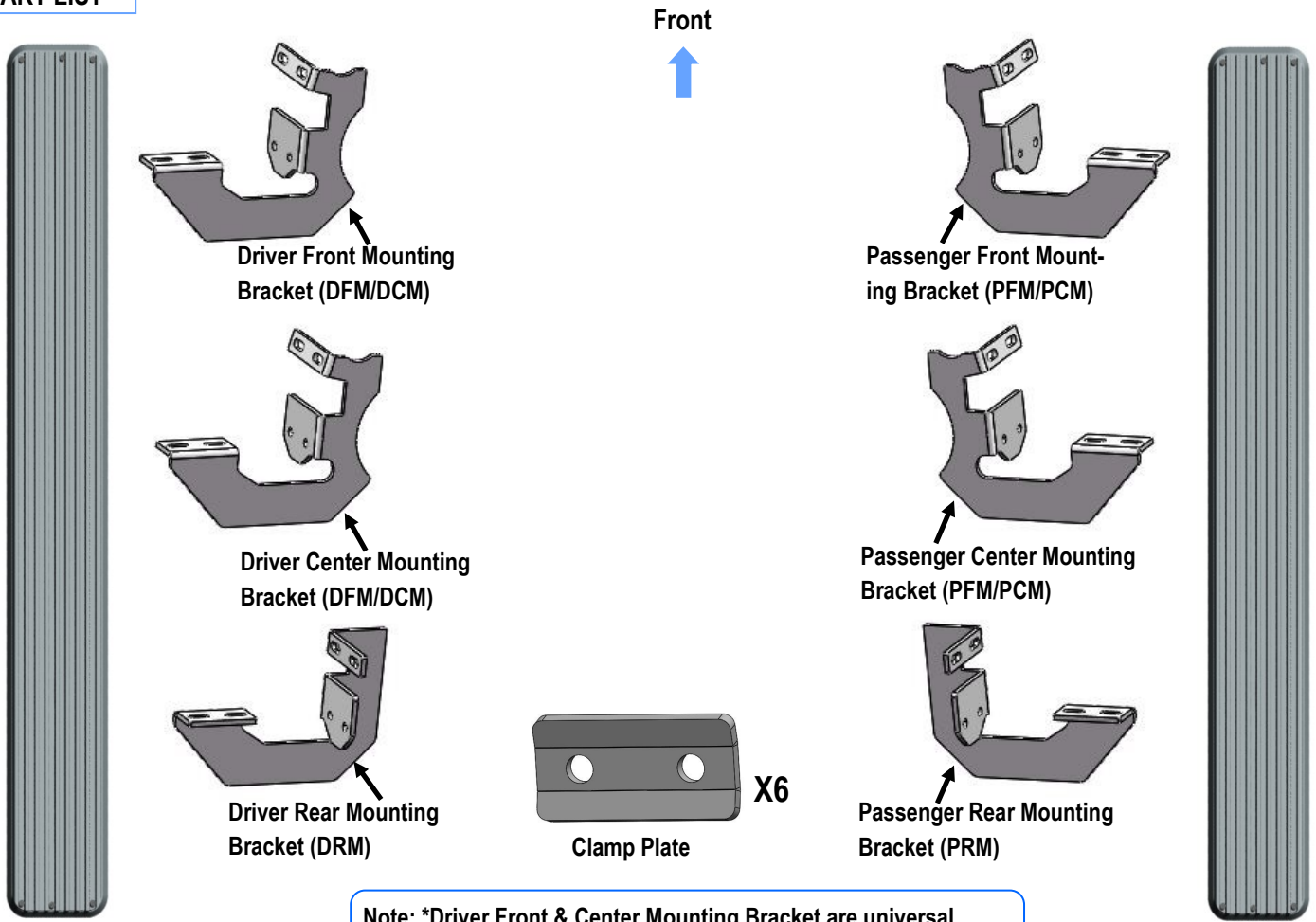
PART#: IB-021A-B

READ INSTRUCTIONS CAREFULLY BEFORE STARTING INSTALLATION. REMOVE CONTENTS FROM BOX AND VERIFY ALL PARTS ARE PRESENT. ASSISTANCE IS RECOMMENDED.

***ROCKER PANEL MOUNT
*NO DRILLING REQUIRED**

Fastener Size	Tightening Torque (ft-lbs)
6mm	6-7
8mm	16-18
10mm	31-32
12mm	56-58
14mm	92-94

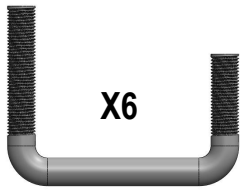
PART LIST



Note: *Driver Front & Center Mounting Bracket are universal
*Passenger Front & Center Mounting Bracket are universal

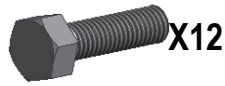
Customer Support: info@iboardauto.com

iBoard®



X6

M8 U-Bolt



X12

M8X1.25-40mm Hex Bolt



X36

M8 Large Flat Washer



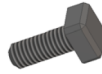
X24

M8 Lock Washer



X24

M8 Hex Nut



X12

M6X1-20mm Square Head Bolt



X12

M6 Large Flat Washer

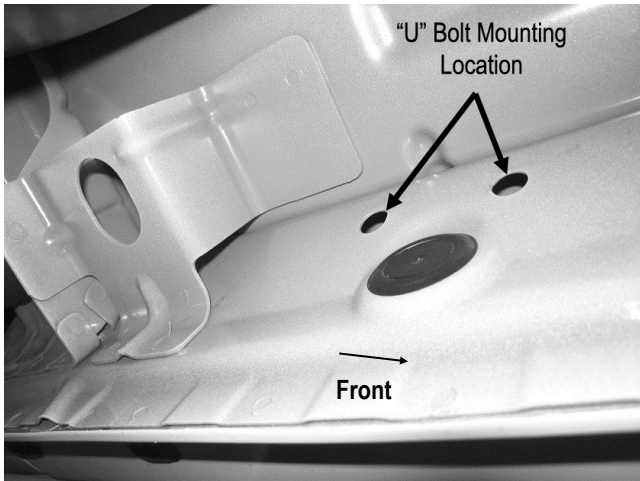


X12

M6X1 Nylon Lock Nut

STEP 1

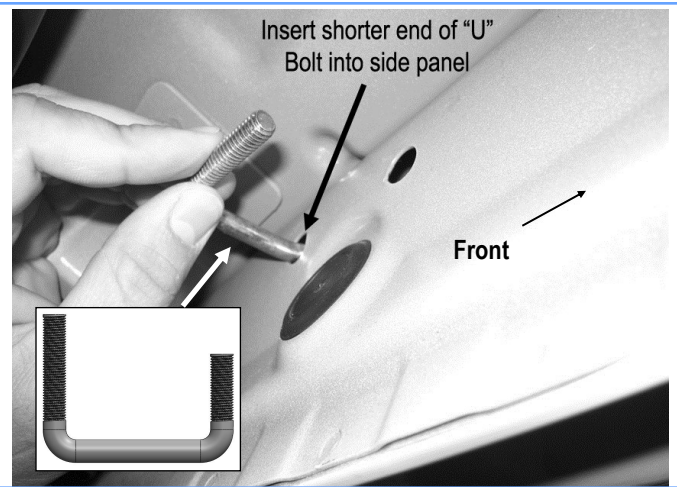
On the driver side of the vehicle, locate the (2) factory holes above rubber grommets on the side panel on the front, center and rear mounting locations, (Fig 1).



(Fig 1) Driver Side Front Mounting Bracket Location

STEP 2

Start the installation from the driver side front. Select (1) M8 U-Bolt. Insert the short end of the M8 U-Bolt into one of the factory holes and out from the opposite hole (Fig 2).



(Fig 2) Insert the M8 U-Bolt (Driver Side Front Mounting Location)

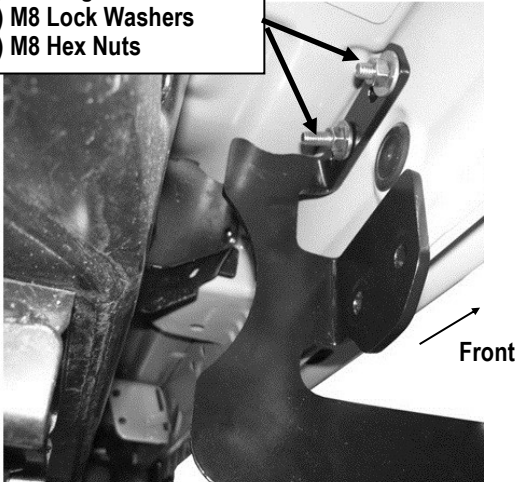
STEP 3

Attach the Driver Front Mounting Bracket (DFM/DCM) to the installed M8 U-Bolt by using (2) M8 Lock Washer, (2) M8 Large Flat Washers and (2) M8 Hex Nuts, (Fig 3). Do not fully tighten hardware at this time.

NOTE: Hold the U-Bolt in place and line up the threaded ends with the slots in the Mounting Bracket. carefully, Do not let the U-Bolt fall into the body panel within installing.

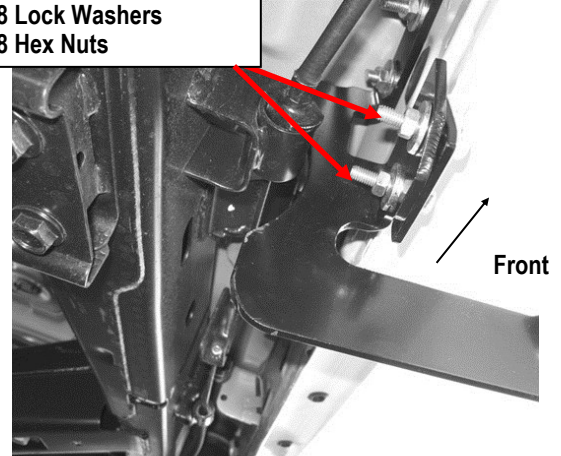
iBoard®

- (2) M8 Large Flat Washers
- (2) M8 Lock Washers
- (2) M8 Hex Nuts



(Fig 3) Driver Side Front Mounting Bracket Installation

- (2) M8X1.25-40mm Hex Bolts
- (4) M8 Large Flat Washers
- (2) M8 Lock Washers
- (2) M8 Hex Nuts

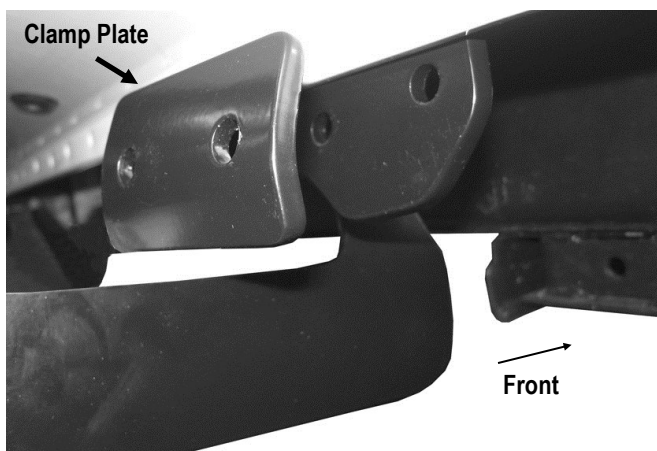


(Fig 5) Driver Side Front Mounting Bracket Installation

STEP 4

Position (1) Clamp Plate on the pinch weld and line up with the Driver Front Mounting Bracket , (Fig 4). Attach the Clamp Plate to the Mounting Bracket with (2) M8X1.25-40mm Hex Bolts, (4) M8 Large Flat Washers, (2) M8 Lock Washers, and (2) M8 Hex Nuts, (Fig 5-7). Do not fully tighten hardware at this time.

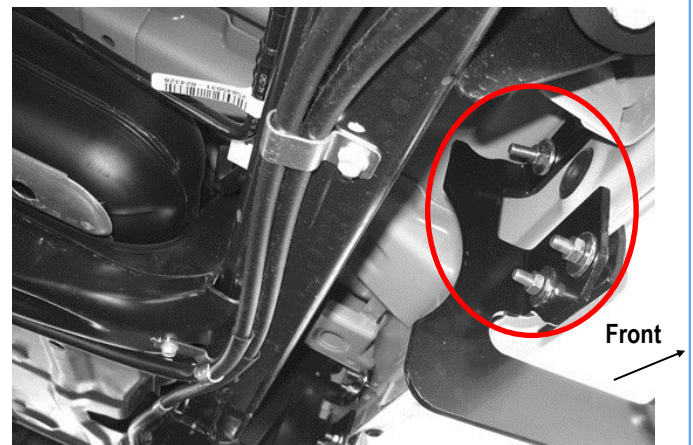
NOTE: Mount the Clamp Plate with the concave facing the inside of the vehicle, (Fig 4).



(Fig 4) Clamp Plate Installation
(On Driver Side Front Mounting Location)

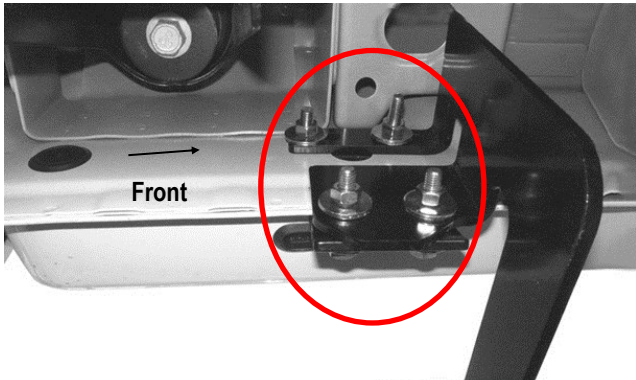
STEP 5

Move to the driver side center & rear mounting locations of the vehicle. Repeat **Steps 1-4** for Driver Center Mounting Bracket (DFM/DCM) & Driver Rear Mounting Bracket (DRM) installation, (Fig 6 & 7). Do not fully tighten hardware at this time.



(Fig 6) Driver Side Center Mounting Bracket Installation

iBoard®



(Fig 7) Driver Side Rear Mounting Bracket Installation

STEP 6

Select a Running Board. Slip (3) M6X1-20mm Square Head Bolts into each bottom channel (Fig 8). Carefully position the Running Board onto the (3) Mounting Brackets.

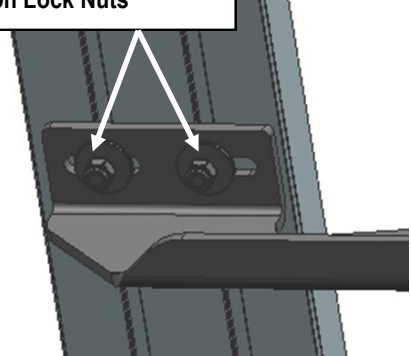
IMPORTANT: Do not slide the Running Board on the Brackets or the bottom surface of the board will be damaged. Attach the Running Board to each Mounting Bracket with (2) M6x1-20mm Square Head Bolts, (2) M6 Large Flat Washers and (2) M6 X1 Nylon Lock Nuts (Fig 9). Do not fully tighten at this time.

Level and adjust the Running Board and fully tighten all hardware.



(Fig 8) Slip M6X1-20mm Square Head Bolts Into The Bottom Channels

- (2) M6X1-20mm Square Head Bolts
- (2) M6 Large Flat Washers
- (2) M6X1 Nylon Lock Nuts



(Fig 9) Running Board Installed Onto the Mounting Bracket

STEP 7

Repeat **Steps 1-6** for the other side Running Board installation. The installation is completed (Fig 10).



(Fig 10) Installation Completed

Attention

Do periodic inspections to the installation to make sure that all hardware is secure and tight.

In order to protect your bars/boards, please use only mild soap/non-abrasive products for cleaning.