

iBoard®



Scan for
Installation Video

iBoard® by APS

PART#: IB-400C&H

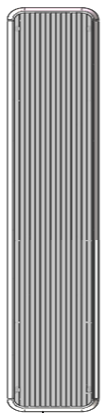
READ INSTRUCTIONS CAREFULLY BEFORE STARTING INSTALLATION. REMOVE CONTENTS FROM BOX AND VERIFY ALL PARTS ARE PRESENT. ASSISTANCE IS RECOMMENDED.

*ROCKER PANEL MOUNT
*DRILLING IS REQUIRED

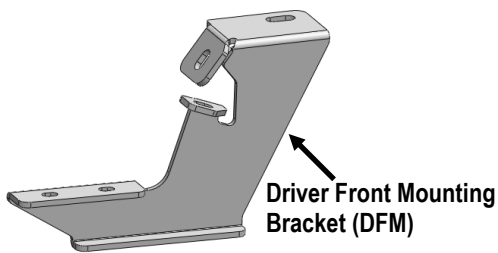
Fastener Size	Tightening Torque (ft-lbs)	Required
6mm	6-7	X
8mm	16-18	√
10mm	31-32	√
12mm	56-58	X
14mm	92-94	X

PART LIST

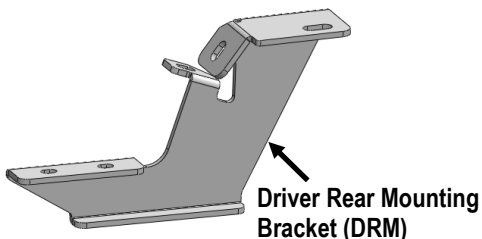
Driver Side Step Bar



Step Bars



Driver Front Mounting Bracket (DFM)

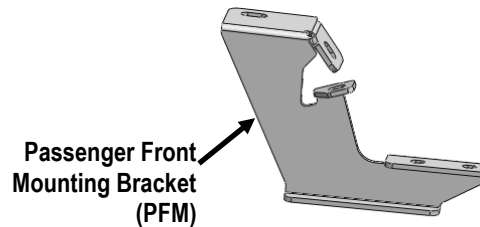


Driver Rear Mounting Bracket (DRM)

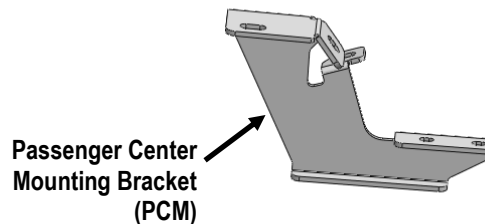
Front



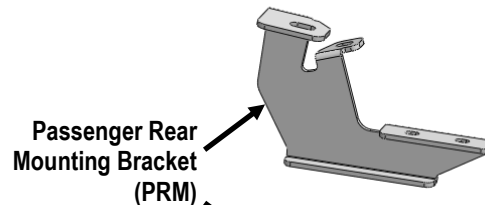
Passenger Side Step Bar



Passenger Front Mounting Bracket (PFM)



Passenger Center Mounting Bracket (PCM)



Passenger Rear Mounting Bracket (PRM)



Step Bars

Customer Support: info@iboardauto.com



Hardware Package A (For Bracket Installation)

Item	QTY	Description	Item	QTY	Description
1#	8	M10 Bolt Plates	5#	8	M10 Hex Nuts
2#	8	M10 Plastic Washers	6#	6	M8X1.25-30 Hex Bolts
3#	8	M10 Large Flat Washers	7#	12	M8 Large Flat Washers
4#	8	M10 Lock Washers	8#	6	M8X1.25 Nylon Lock Nuts

Hardware Package B (For Stainless Steel Step Bar Installation)

Item	QTY	Description	Item	QTY	Description
1#	12	M8X1.25-35mm Carriage Bolts	3#	12	M8 Nylon Lock Nuts
2#	12	M8 Large Flat Washers	4#	6	Sliders (Packed with Step Bars)

Hardware Package C (For Stainless Steel Step Bar Assembly)

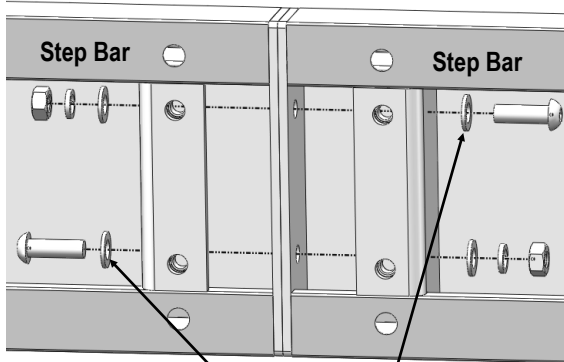
Item	QTY	Description	Item	QTY	Description
1#	4	Plastic Rivets	5#	2	M8 Hex Nuts
2#	6	M8X1.25-25mm Inner Hex Bolts	6#	1	Plastic Cover (Packed with Step Bars)
3#	8	M8 Flat Washers	7#	1	Back Plate (Packed with Step Bars)
4#	6	M8 Lock Washers			



STEP 1

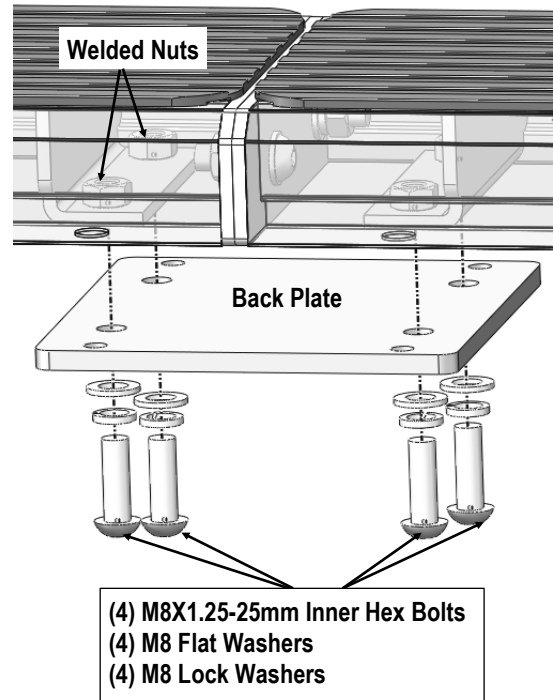
Passenger Side Step Bar Assembly:

1. Select and assemble (2) Step Bars with (2) M8X1.25-25mm Inner Hex Bolts, (4) M8 Flat Washers, (2) M8 Lock Washers and (2) M8 Hex Nuts, (**Fig 1**). **NOTE: (2) Step Bars are universal.**
2. Attach (1) Back Plate to the bottom of the installed (2) Step Bars with (4) M8X1.25-25mm Inner Hex Bolts, (4) M8 Flat Washers, (4) M8 Lock Washers, (**Fig 2**).
3. Install (1) Plastic Cover to cover the joint of (2) Step bars with (4) Plastic Rivets, (**Fig 3**).



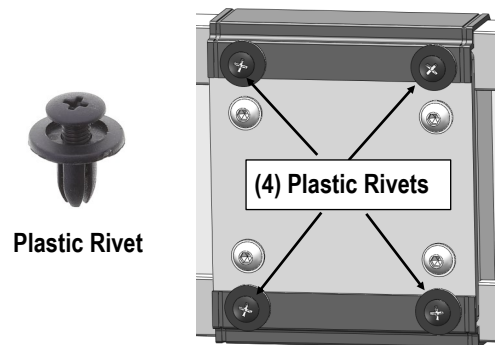
- (2) M8X1.25-25mm Inner Hex Bolts
- (4) M8 Flat Washers
- (2) M8 Lock Washers
- (2) M8 Hex Nuts

(Fig 1) Step Bars Assembly



- (4) M8X1.25-25mm Inner Hex Bolts
- (4) M8 Flat Washers
- (4) M8 Lock Washers

(Fig 2) Back Plate Installation



(Fig 3) Plastic Cover Installation (Bottom View)

Assembled Passenger Side Step Bar

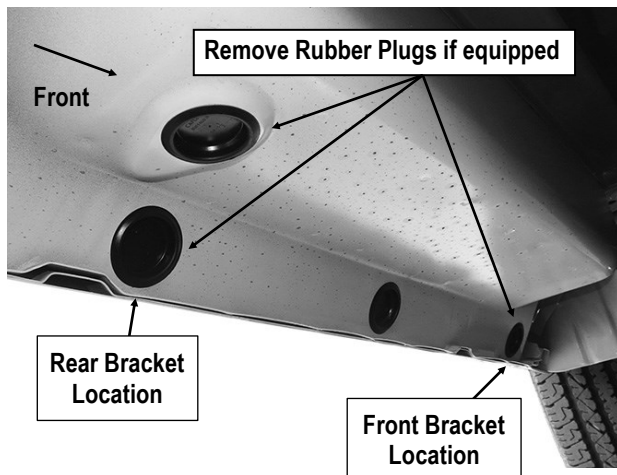




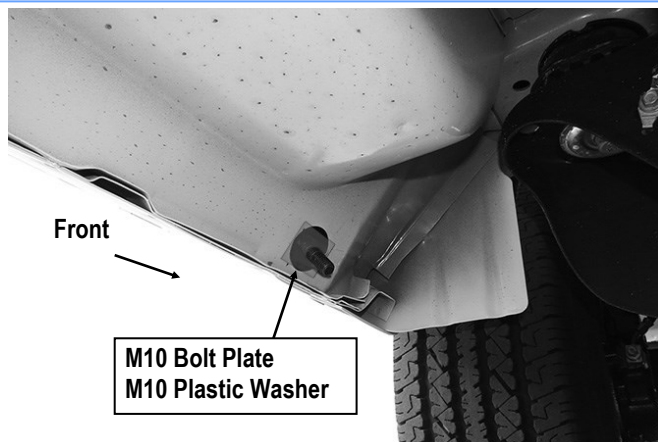
STEP 2

Starting installation from the driver side front of the vehicle. Locate and remove rubber plugs if equipped, (Fig 4). Select (1) M10 Bolt Plate and (1) M10 Plastic Washer. Partially thread the M10 Plastic Washer onto the M10 Bolt Plate. Insert the M10 Bolt Plate into the opening and thread the M10 Plastic Washer down tight, (Fig 5).

NOTE: The Plastic Washer is designed to keep the Bolt Plate from falling into the body panel during bracket installation.



(Fig 4) Driver Side Mounting Bracket Locations

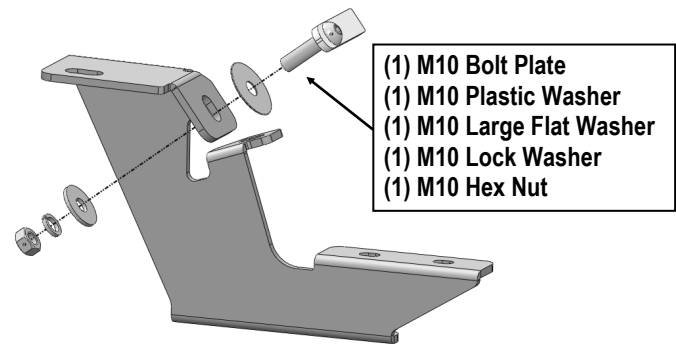


(Fig 5) M10 Bolt Plate Installed
(Driver Side Front Mounting Location)

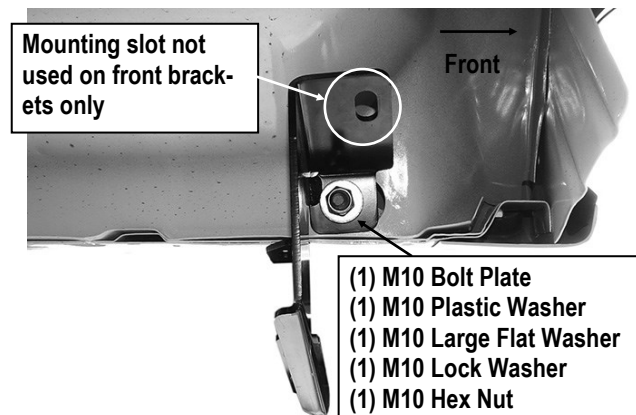
STEP 3

Select the Driver Front Mounting Bracket (DFM). Attach the Bracket to the installed M10 Bolt Plate with (1) M10 Large Flat Washer, (1) M10 Lock Washer and (1) M10 Hex Nut, (Figs 6 & 7). Do not fully tighten the hardware at this time.

Note: Upper Mounting slot not used on front brackets only.



(Fig 6) Driver Front Mounting Bracket (DFM) Installation



(Fig 7) Driver Front Mounting Bracket (DFM) Installed

STEP 4

Move to the driver side rear of the vehicle, (Fig 4). Locate and remove the (2) rubber plugs. Insert (2) M10 Bolt Plates with plastic washer into the opening.

Repeat **Steps 2-3** to attach the Driver Rear Mounting Bracket (DRM) to the installed (2) M10 Bolt Plates, (Fig 8). Do not fully tighten hardware at this time.

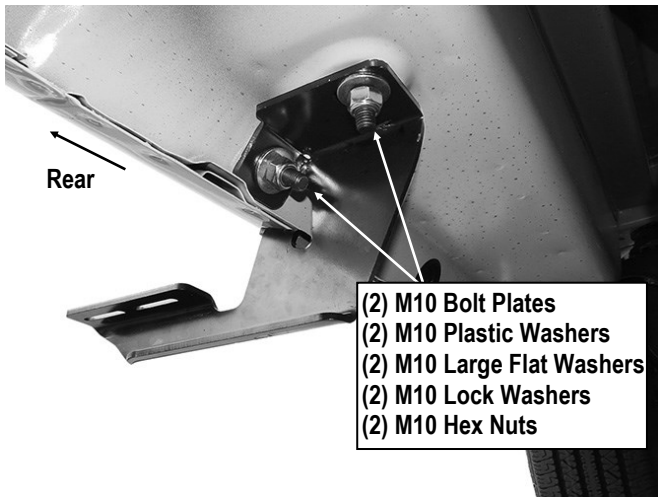


STEP 5

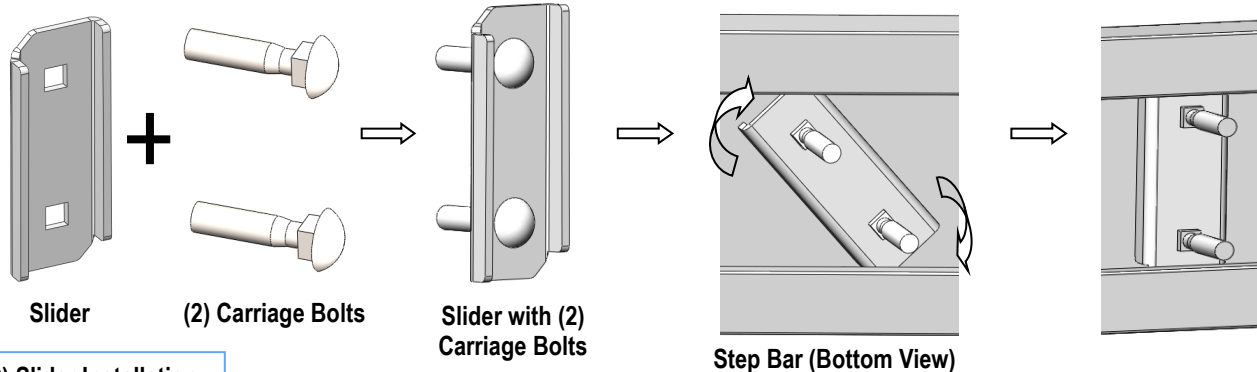
Once all (2) Driver side mounting brackets are installed, then proceed to the Step Bar installation. (**Figs 9 & 10**)

- (1) Select (1) Slider and (2) M8X1.25-35mm Carriage Bolts;
- (2) Install (2) M8X1.25-35mm Carriage Bolts in (1) Slider.
- (3) Slide the Slider (with carriage bolts) to the **Step Bar**.
- (4) Repeat to install the other (1) slider to the step bar.
- (5) Attach the Step Bar (with the Sliders) onto the installed mounting brackets. Position the Sliders to the installed brackets. Secure the Step Bar to the installed Brackets by using (4) M8 Large Flat Washers and (4) M8 Nylon Lock Nuts and (2) Sliders, (**Fig 10**). Do not fully tighten hardware at this time.

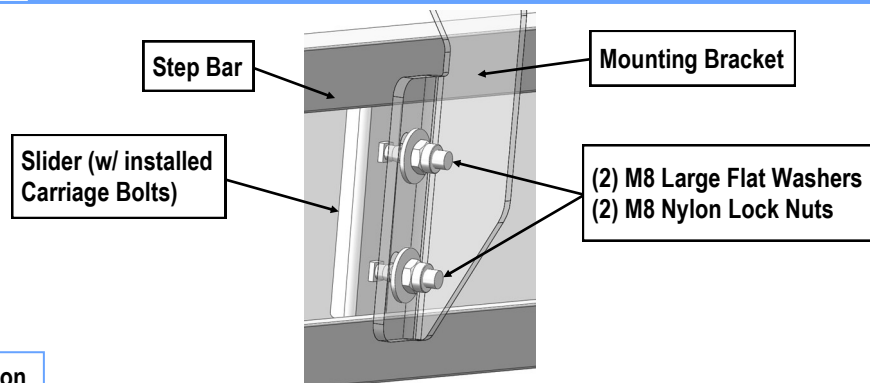
Note: The Sliders are packed with the Step Bars.



(Fig 8) Driver Rear Mounting Bracket (DRM) Installed



(Fig 9) Slider Installation



(Fig 10) Step Bar Installation



STEP 6

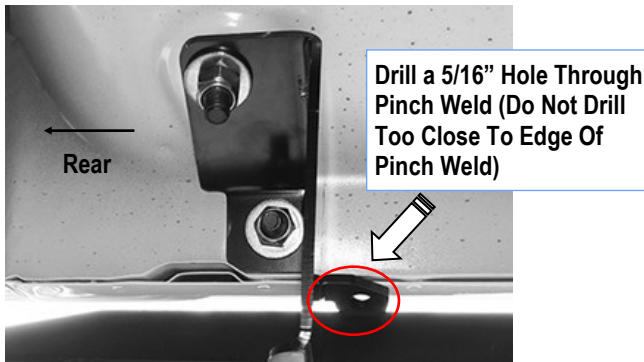
Level and adjust the Step Bar and fully tighten all hardware.

Push the Mounting Brackets up tight against the bottom of the body. Use the mounting tab on each Bracket as a guide, mark the hole location and drill a 5/16" hole through the pinch weld on both Brackets, (Fig 11).

VERY IMPORTANT: Do not drill too close to the edge of the pinch weld, adjust Bracket position as required before drilling through pinch weld.

NOTE: If necessary, remove Step Bar and Brackets to drill the holes through the pinch weld. Repeat **Steps 2-5** to reinstall.

IMPORTANT! Any cutting or drilling tool may break or shatter. Government regulations require safety glasses & equipment at all times when cutting or drilling.

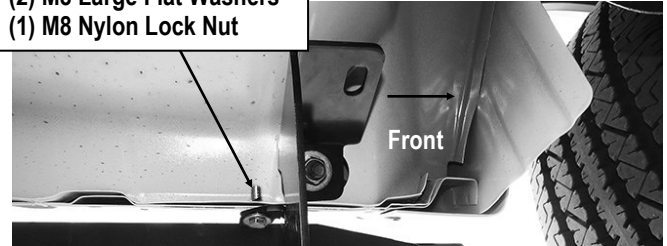


(Fig 11) Driver Hole On Driver Side Rear Mounting Location

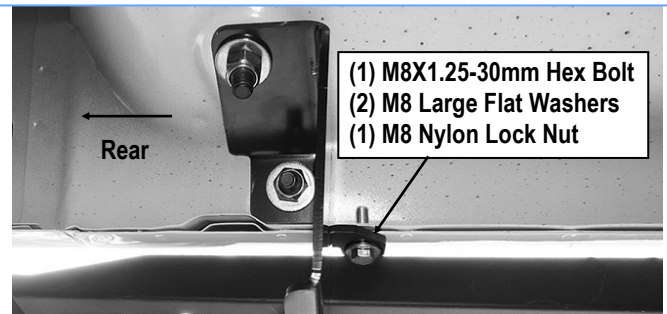
STEP 7

Once both holes have been drilled on the pinch weld, attach the lower mounting tabs on the (2) Driver Side Mounting Brackets to the pinch weld with (2) M8X1.25-30mm Hex Bolts, (4) M8 Large Flat Washers and (2) M8 Nylon Lock Nuts, (Figs 12 & 13). Fully tighten hardware at this time.

- (1) M8X1.25-30mm Hex Bolt
- (2) M8 Large Flat Washers
- (1) M8 Nylon Lock Nut



(Fig 12) Attach Driver Front Mounting Bracket To Pinch Weld



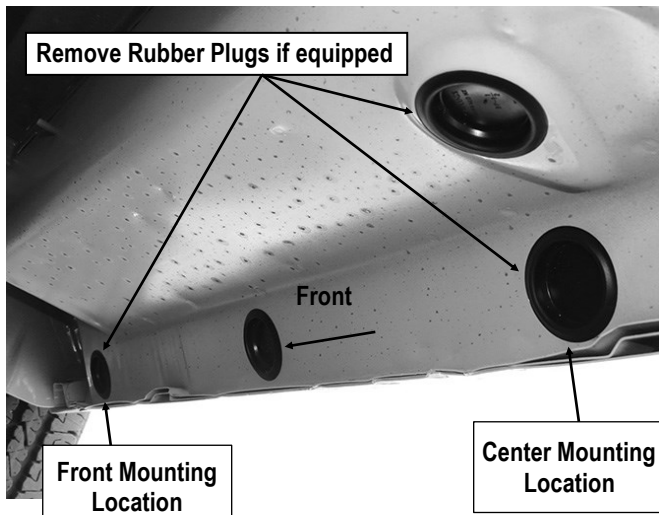
(Fig 13) Attach Driver Rear Mounting Bracket To Pinch Weld

STEP 8

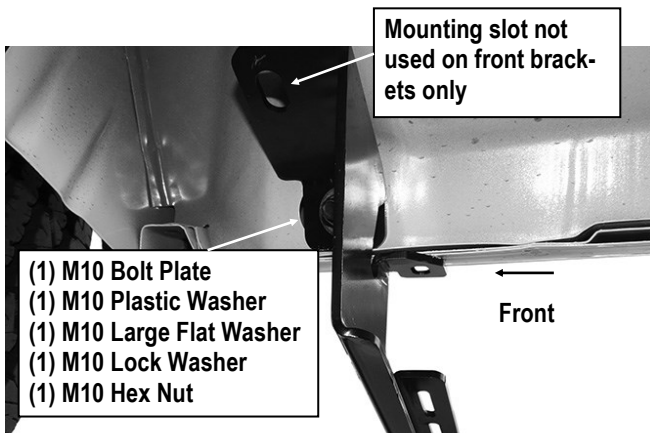
Move to the passenger side front of the vehicle. Locate the rubber plug closest to the front tire opening, (Fig 14). Repeat **Steps 2 & 3** to install the Passenger Front Mounting Bracket (PFM), (Fig 15).

STEP 9

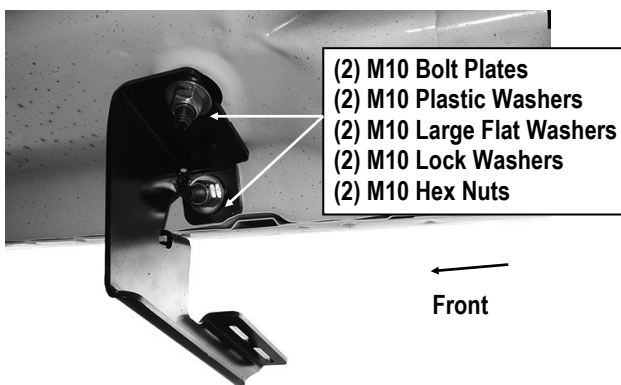
Move to the Passenger Side Center Mounting Location, (Fig 14). Repeat **Steps 2 & 4** to install the Passenger Center Mounting Bracket (PCM), (Fig 16).



(Fig 14) Passenger Side Front & Center Mounting Locations



(Fig 15) Passenger Front Mounting Bracket (PFM) Installation

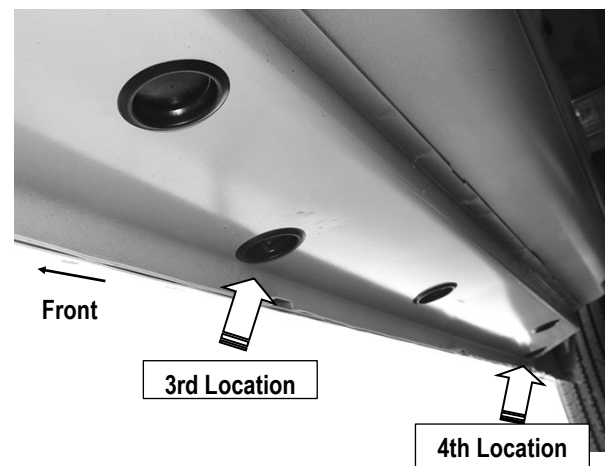


(Fig 16) Passenger Center Mounting Bracket (PCM) Installation

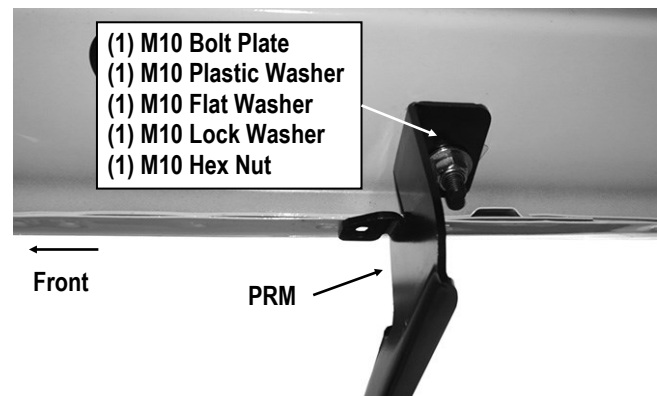
STEP 10

Move along the body to the (2) Passenger Side Rear Mounting Locations below the side door, (Fig 17). Locate and remove the rubber plugs next to the pinch weld.

Select (1) Passenger Rear Mounting Bracket (PRM). Repeat Steps 2-3 to attach the (1) Passenger Rear Mounting Bracket (PRM) to the installed M10 Bolt Plate on 3rd location (Fig 18).



(Fig 17) Passenger Side Rear Mounting Locations



(Fig 18) Passenger Rear Mounting Bracket Installed on 3rd Mounting Location



STEP 11

Repeat **Steps 2-3** to attach the other Passenger Rear Mounting Bracket (**PRM**) on the 4th location.

Note: (2) Passenger Rear Mounting Brackets are universal.

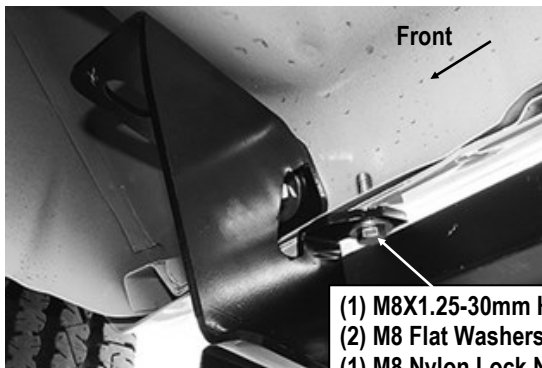
STEP 12

Select the Assembled Passenger Side Step Bar. Repeat **Step 5** to attach the Step Bar to (4) Mounting Brackets. Do not fully tighten hardware at this time.

STEP 13

Repeat **Steps 6—7** to drill and attach the (4) Mounting Brackets to the pinch weld, (**Figs 19—22**).

Level and adjust the Step Bar and fully tighten all hardware.
Installation completed!!!



(Fig 19) Attach Passenger Front Mounting Bracket To Pinch Weld



(Fig 20) Attach Passenger Center Mounting Bracket To Pinch Weld



(Fig 21) Attach Passenger Rear Mounting Bracket (the 3rd one) to Pinch Weld



(Fig 22) Attach Passenger Rear Mounting Bracket (The Last One) to Pinch Weld

Attention

Do periodic inspections to the installation to make sure that all hardware is secure and tight.

In order to protect your bars/boards, please use mild soap/non-abrasive products for cleaning only.