

iBoard®



Scan for
Installation Video

iBoard® by APS

PART#: IB-295/331C&H

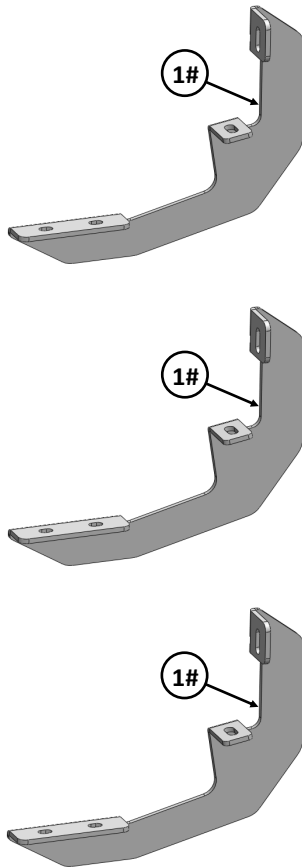
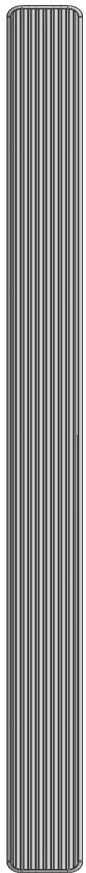
READ INSTRUCTIONS CAREFULLY BEFORE STARTING INSTALLATION. REMOVE CONTENTS FROM BOX AND VERIFY ALL PARTS ARE PRESENT. ASSISTANCE IS RECOMMENDED.

*ROCKER PANEL MOUNT
*NO DRILLING REQUIRED

Fastener Size	Tightening Torque (ft-lbs)	Required
6mm	6-7	X
8mm	16-18	√
10mm	31-32	X
12mm	56-58	X
14mm	92-94	X

PART LIST

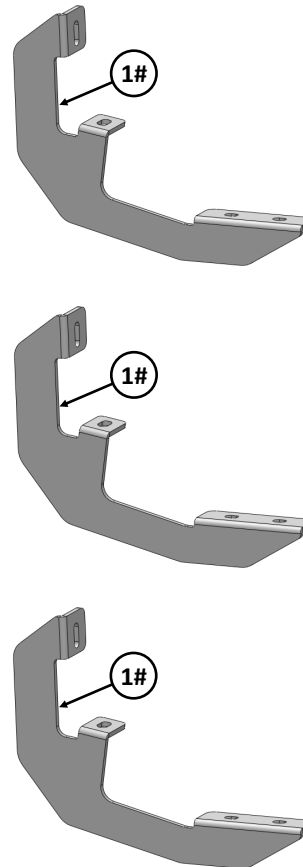
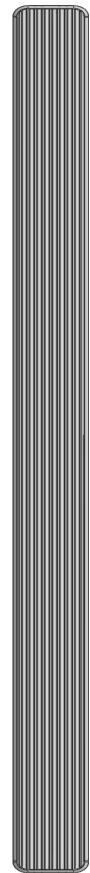
Driver Side Step Bar



Front



Passenger Side Step Bar







Scan for
Installation Video

Mounting Bracket List					
Item	QTY	Description	Item	QTY	Description
1#	6	Mounting Brackets			


Hardware Package A (For Bracket Installation)					
Item	QTY	Description	Item	QTY	Description
1#	12	M8X1.25-30mm Hex Bolts	3#	12	M8 Lock Washers
2#	12	M8 Large Flat Washers			



1#

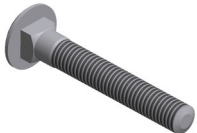


2#




3#


Hardware Package B (For Stainless Steel Step Bar Installation)					
Item	QTY	Description	Item	QTY	Description
1#	12	M8X1.25-35mm Carriage Bolts	3#	12	M8 Nylon Lock Nuts
2#	12	M8 Large Flat Washers	4#	6	Sliders (Packed with Step Bars)



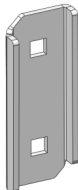
1 #



2 #



3 #



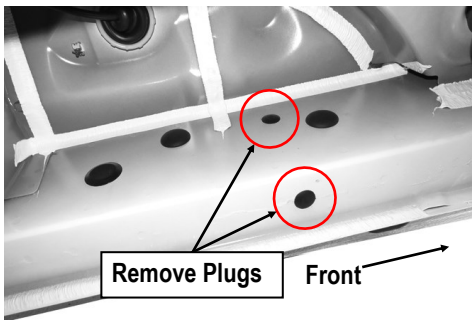
4 #



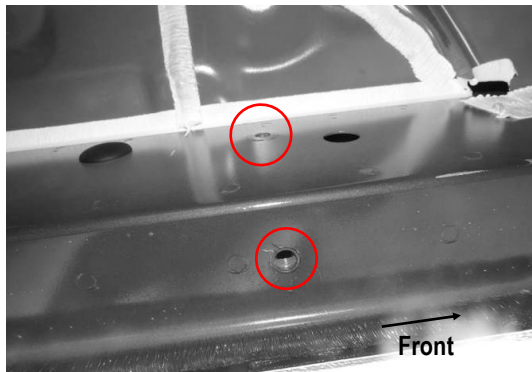
STEP 1

Starting on the Driver Side Front of the vehicle. Locate the (6) plugs along the bottom edge of the rocker panel. Remove the plastic plugs from each mounting location.

NOTE: Thread (1) M8X1.25-30mm Hex Bolt into the threaded inserts on the rocker panel to clear paint as required, (Fig 1 & 2).



(Fig 1) The Plastic Plugs on Driver Side Mounting Location (Inner Side of Rocker Panel)

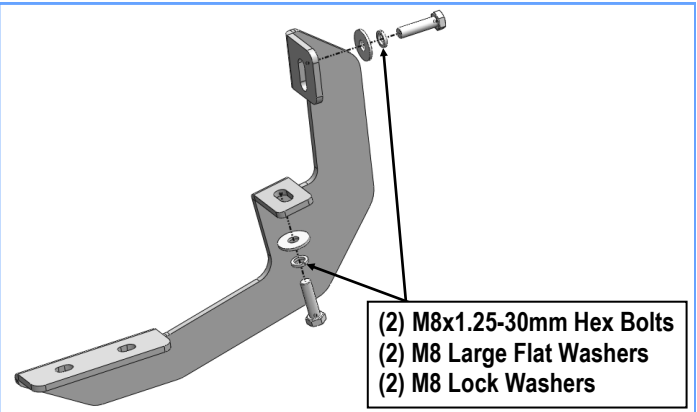


(Fig 2) Driver Side Front Mounting Location

STEP 2

Bolt (1) Driver Front Mounting Bracket to the factory threaded holes on driver side front mounting location with (2) M8x1.25-30mm Hex Bolts (2) M8 Lock Washers and (2) M8 Large Flat Washers, (Fig 3). Don't fully tighten the hardware at this time.

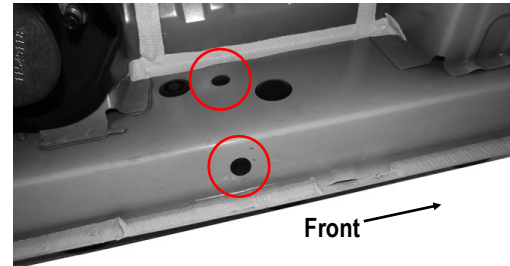
Note: (6) Mounting Brackets Are Universal.



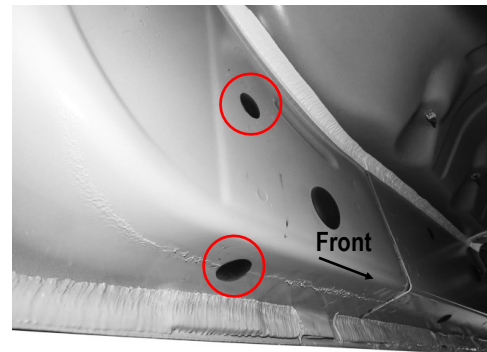
(Fig 3) Driver Front Mounting Bracket Installation

STEP 3

Move the Driver side center and rear mounting location (Fig 4 & 5). Repeat Steps 1-3 to install the Mounting Brackets.



(Fig 4) Driver Side Center Mounting Location



(Fig 5) Driver Side Rear Mounting Location



STEP 4

Once all (3) Driver side mounting brackets are installed, then proceed to the Step Bar installation. (Figs 6 & 7)

- (1) Select (1) Slider and (2) M8X1.25-35mm Carriage Bolts;
- (2) Install (2) M8X1.25-35mm Carriage Bolts in (1) Slider.
- (3) Slide the Slider (with carriage bolts) to the **Step Bar**.
- (4) Repeat to install the other (2) sliders to the step bar.
- (5) Attach the Step Bar (with the Sliders) onto the installed mounting brackets. Position the Sliders to the installed brackets. Secure the Step Bar to the installed Brackets by using (6) M8 Large Flat Washers and (6) M8 Nylon Lock Nuts and (3) Sliders, (Fig 7). Do not fully tighten hardware at this time.

Note: The Sliders are packed with the Step Bars.

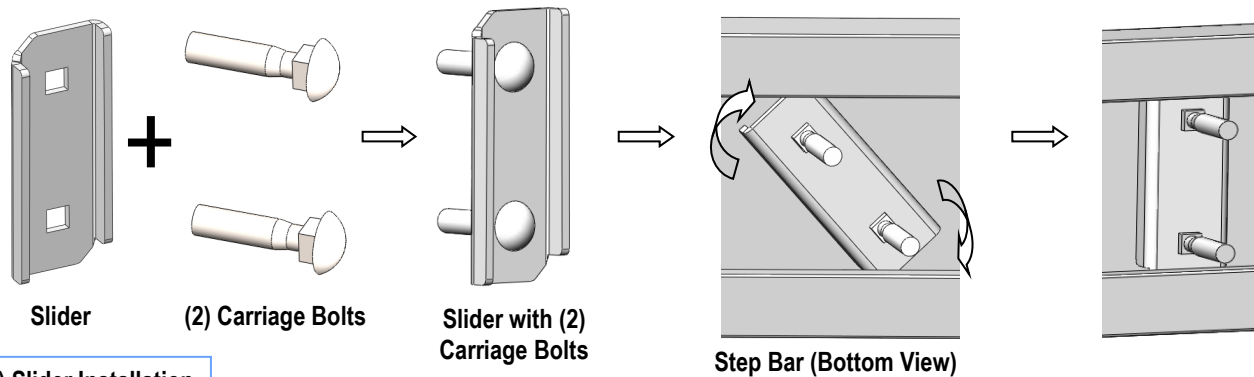
Level and adjust the Step Bar and fully tighten all hardware.

Repeat **Steps 1-4** for the other side Step Bar installation. **The installation is completed!!!**

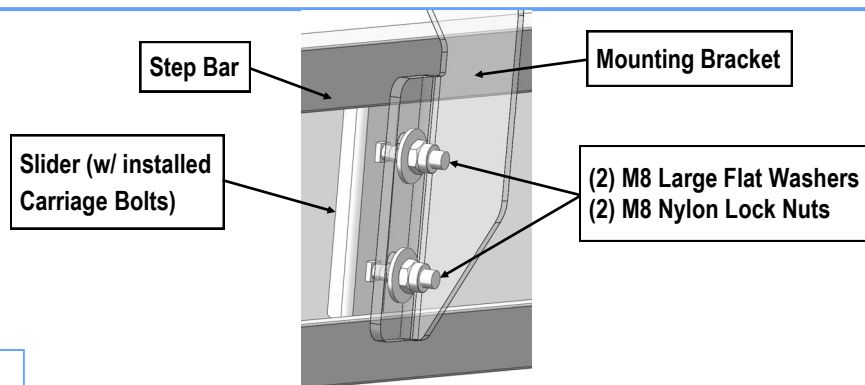
Attention

Do periodic inspections to the installation to make sure that all hardware is secure and tight.

In order to protect your bars/boards, please use mild soap/non-abrasive products for cleaning only.



(Fig 6) Slider Installation



(Fig 7) Step Bar Installation