

iBoard®

iBoard® by APS

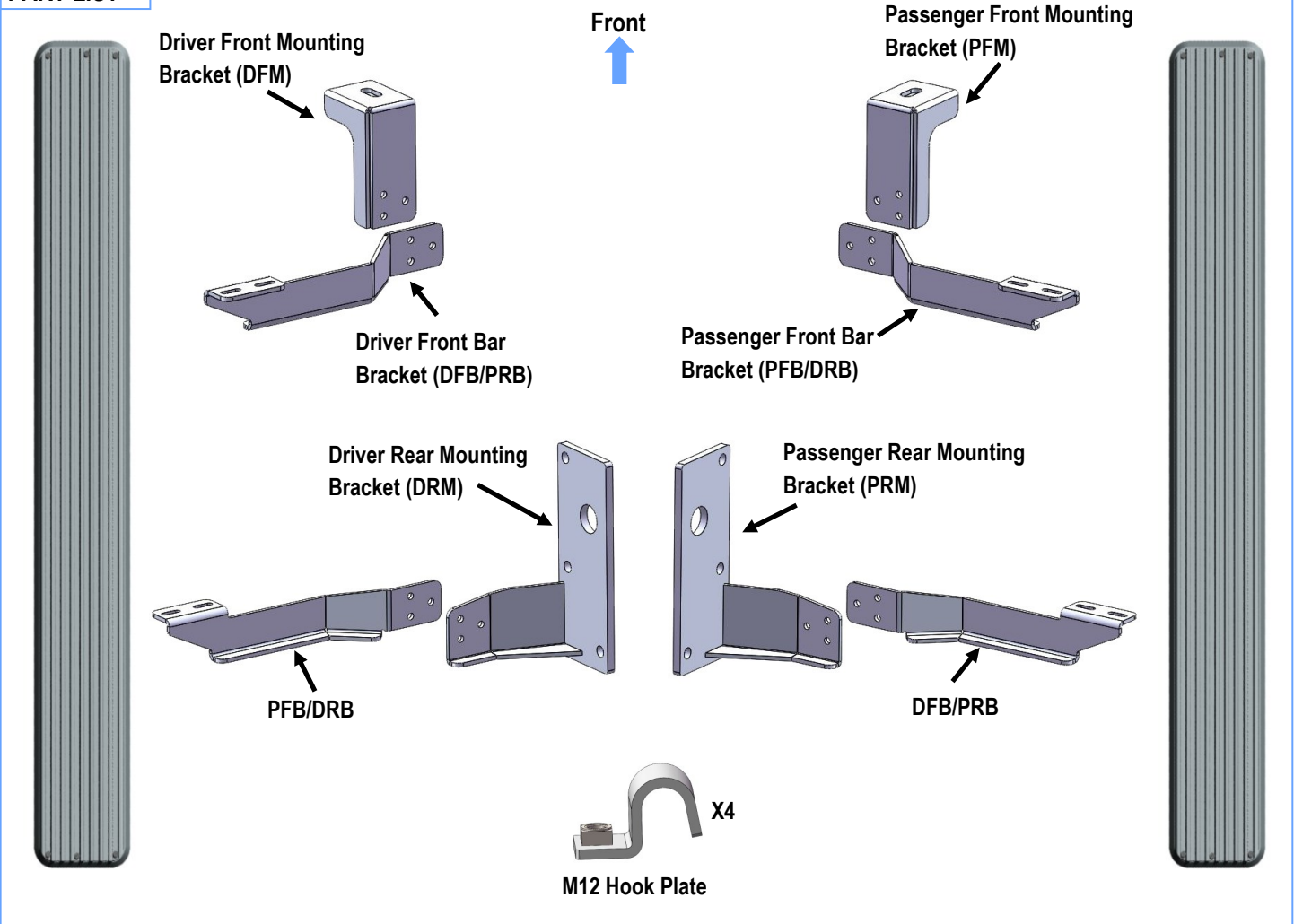
PART#: IB-204A-B

READ INSTRUCTIONS CAREFULLY BEFORE STARTING INSTALLATION. REMOVE CONTENTS FROM BOX AND VERIFY ALL PARTS ARE PRESENT. ASSISTANCE IS RECOMMENDED.

***ROCKER PANEL MOUNT
*NO DRILLING REQUIRED**

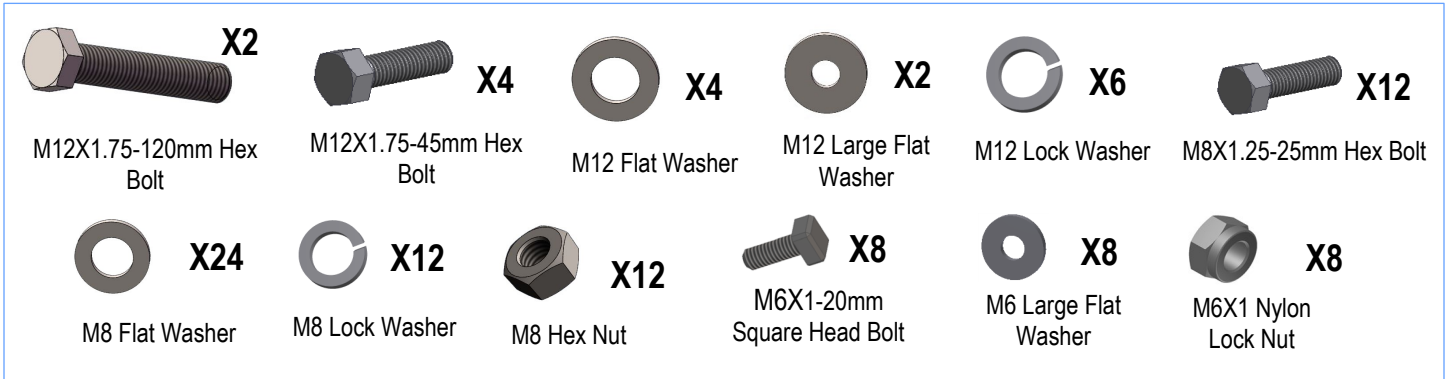
Fastener Size	Tightening Torque (ft-lbs)
6mm	6-7
8mm	16-18
10mm	31-32
12mm	56-58
14mm	92-94

PART LIST



Customer Support: info@iboardauto.com

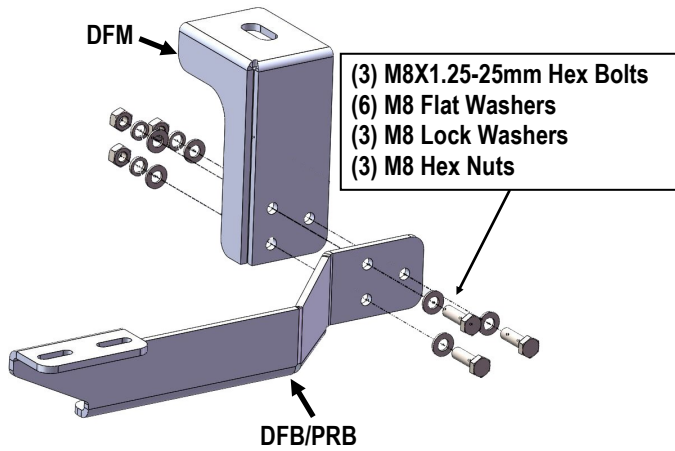
iBoard®



STEP 1

Start installation from the driver side front of the vehicle, locate and remove the factory front body mount bolt.

Assemble Driver Front Mounting Bracket (**DFM**) and Driver Front Bar Bracket (**DFB/PRB**) with (3) M8X1.25-25mm Hex Bolts, (6) M8 Flat Washers, (3) M8 Lock Washers and (3) M8 Hex Nuts, (**Fig 1**). Do not fully tighten hardware at this time.

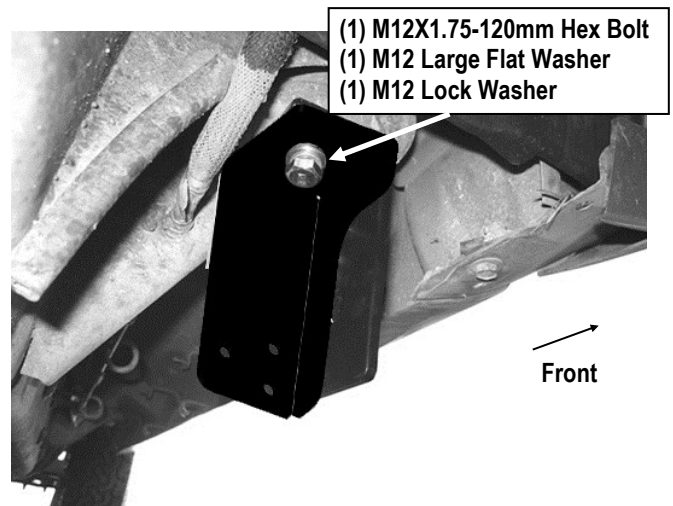


(Fig 1) Driver Front Mounting Bracket (DFM) and Driver Front Bar Bracket (DFB/PRB) Assembly

STEP 2

Attach Driver Front Mounting Bracket (**DFM**) onto the Driver side front mounting location with the included (1) M12X1.75-120mm Hex Bolt, (1) M12 Lock Washer and (1) M12 Large Flat Washer, (**Fig 2**). Do not fully tighten hardware at this time.

NOTE: Driver Front and Passenger Front Mounting bracket can be switched if necessary to clear the emergency brake cable.

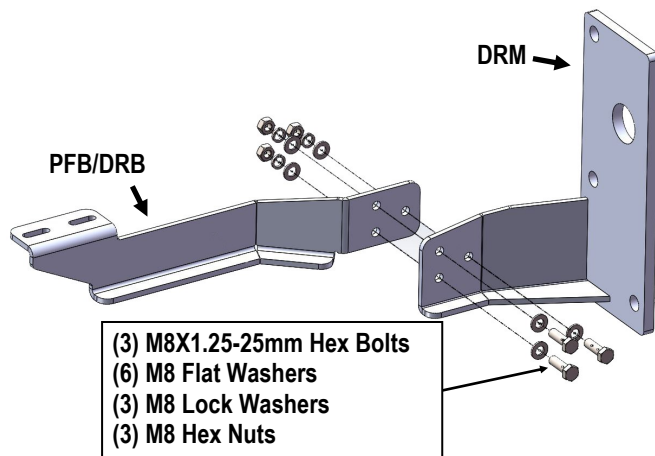


(Fig 2) Driver Front Mounting Bracket (DFM) Installed

iBoard®

STEP 3

Move to the driver side rear of the vehicle. Assemble Driver Rear Mounting Bracket (**DRM**) and Driver Rear Bar Bracket (**PFB/DRB**) with (3) M8X1.25-25mm Hex Bolts, (6) M8 Flat Washers, (3) M8 Lock Washers and (3) M8 Hex Nuts, (**Fig 3**). Do not fully tighten hardware at this time.



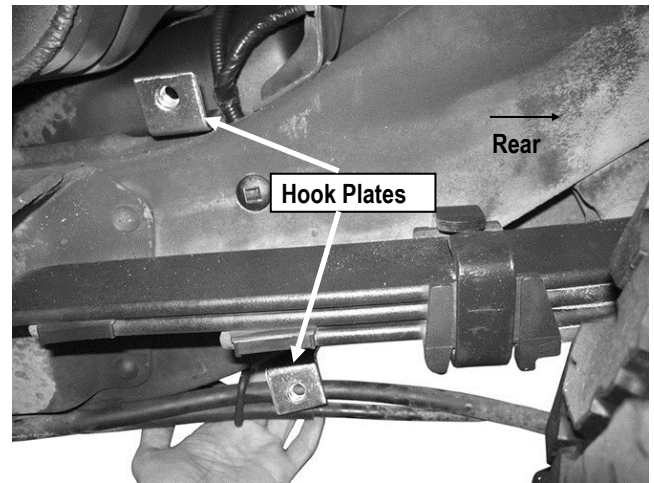
(Fig 3) Driver Rear Mounting Bracket (DRM) and Driver Rear Bar Bracket (PFB/DRB) Assembly

STEP 4

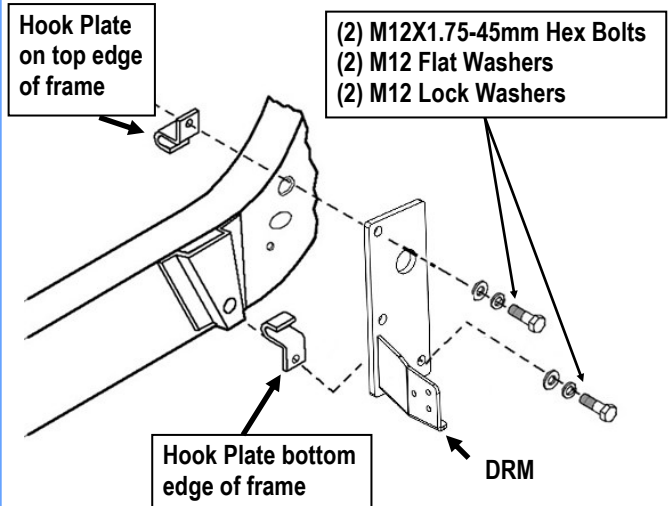
Select (1) M12 Hook Plate. Hook the Hook Plate onto the top edge of the frame, (**Fig 4**). Position the Driver Rear Mounting Bracket (**DRM**) up against the frame between the leaf spring and frame, (**Fig 5**). Attach the Driver Rear Mounting Bracket (**DRM**) to the top Hook Plate with (1) M12X1.75-45mm Hex Bolt, (1) M12 Lock Washer and (1) M12 Flat Washer, (**Fig 6**). Do not fully tighten hardware at this time.

Select (1) M12 Hook Plate. Hook the Hook Plate over the bottom edge of the frame. Repeat to attach the bottom of the Driver Rear Mounting Bracket (**DRM**) to the Hook Plate, (**Figs 5 & 6**). **NOTE:** Make sure the clearance holes in the rear Mounting Bracket are lined up with the factory fasteners in the frame.

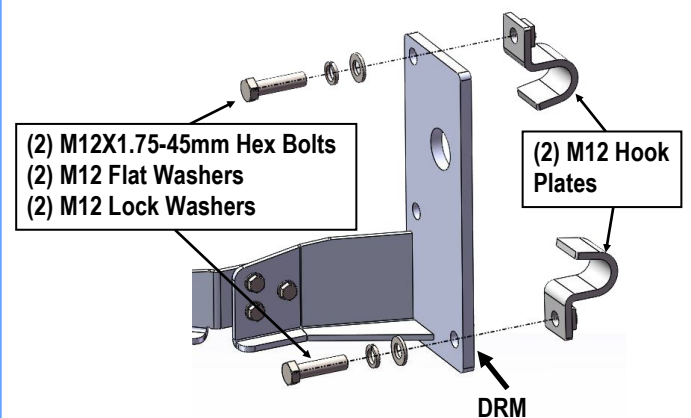
IMPORTANT! Adjust the location of the bottom Hook Plate away from the emergency brake cable. Do not fully tighten hardware at this time.



(Fig 4) M12 Hook Plates Installed



(Fig 5) Driver Rear Mounting Bracket (DRM) Installed



(Fig 6) Driver Rear Mounting Bracket (DRM) Installed

iBoard®

STEP 5

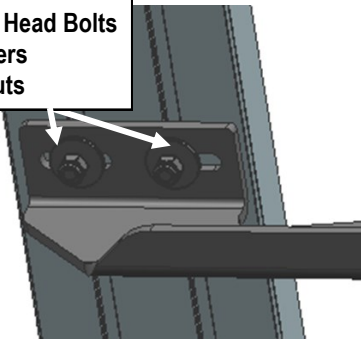
Select a Running Board. Slip (2) M6X1-20mm Square Head Bolts into each bottom channel (**Fig 7**). Carefully position the Running Board onto the (2) Mounting Brackets.

IMPORTANT: Do not slide the Running Board on the Brackets or the bottom surface of the board will be damaged. Attach the Running Board to each Mounting Brackets with (2) M6x1-20mm Square Head Bolts, (2) M6 Large Flat Washers and (2) M6 X1 Nylon Lock Nuts (**Fig 8**). Do not fully tighten at this time.



(Fig 7) Slip M6X1-20mm Square Head Bolts Into The Bottom Channels

(2) M6X1-20mm Square Head Bolts
(2) M6 Large Flat Washers
(2) M6X1 Nylon Lock Nuts



(Fig 8) Running Board Installed Onto Mounting Bracket

STEP 6

Level and adjust the Running Board and fully tighten all hardware.

STEP 7

Repeat **Steps 1-6** for the other side Running Board installation. The installation is completed (**Fig 9**).



(Fig 9) Installation Completed

Attention

Do periodic inspections to the installation to make sure that all hardware is secure and tight.

In order to protect your bars/boards, please use only mild soap/non-abrasive products for cleaning.