



iBoard® by APS

PART#: IB-271C&H

READ INSTRUCTIONS CAREFULLY BEFORE STARTING INSTALLATION. REMOVE CONTENTS FROM BOX AND VERIFY ALL PARTS ARE PRESENT. ASSISTANCE IS RECOMMENDED.

*BODY FRAME MOUNT
*NO DRILLING REQUIRED

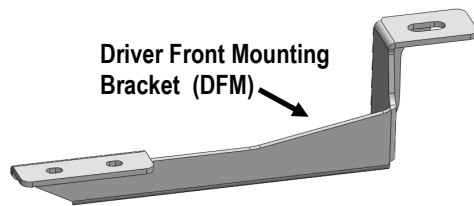
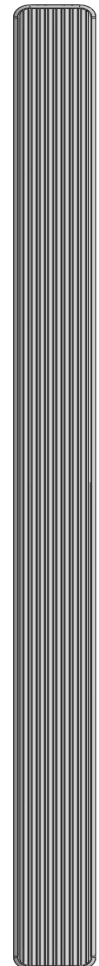
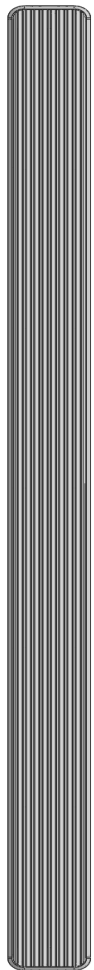
Fastener Size	Tightening Torque (ft-lbs)	Required
6mm	6-7	X
8mm	16-18	✓
10mm	31-32	X
12mm	56-58	✓
14mm	92-94	X

PART LIST

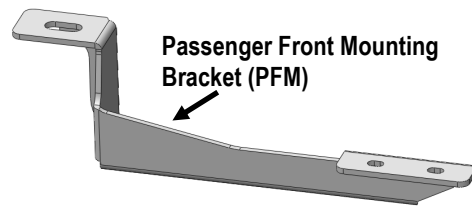
Driver Side Step Bar

Front

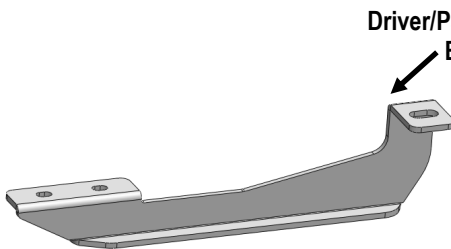
Passenger Side Step Bar



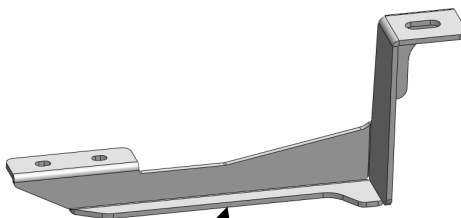
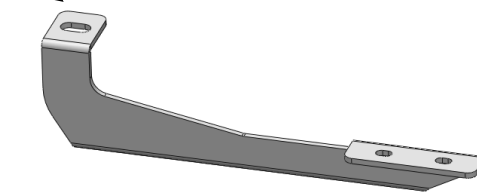
Driver Front Mounting Bracket (DFM)



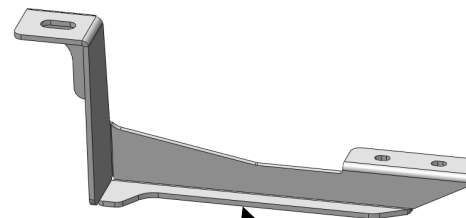
Passenger Front Mounting Bracket (PFM)



Driver/Passenger Center Mounting Bracket (DCM/PCM)



Driver Rear Mounting Bracket (DRM)






Passenger Rear Mounting Bracket (PRM)

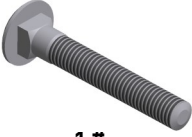


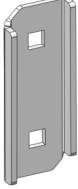
Note: Driver & Passenger Center Mounting Brackets are universal.



Hardware Package A (For Bracket Installation)					
Item	QTY	Description	Item	QTY	Description
1#	6	M12X1.75-120mm Hex Bolts	3#	6	M12 Lock Washers
2#	6	M12 Flat Washers			

		
1 #	2 #	3 #

Hardware Package B (For Stainless Steel Step Bar Installation)					
Item	QTY	Description	Item	QTY	Description
1#	12	M8X1.25-35mm Carriage Bolts	3#	12	M8 Nylon Lock Nuts
2#	12	M8 Large Flat Washers	4#	6	Sliders (Packed with Step Bars)

			
1 #	2 #	3 #	4 #

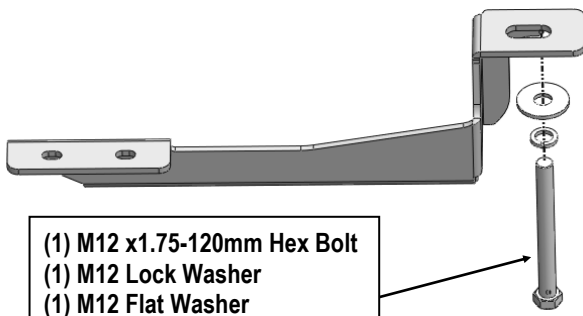


STEP 1

Start installation from the driver side front of the vehicle. Remove front, center, and rear cab mount bolts located under the cab.

STEP 2

Select the Driver Front Mounting Bracket (**DFM**). Attach to the bottom of the cab mounts with (1) M12X1.75-120mm Hex Bolt, (1) M12 Flat Washer and (1) M12 Lock Washer, (**Fig 1**). Do not fully tighten hardware at this time.



(Fig 1) Driver Side Front Mounting Bracket Installation

STEP 3

Move to the center & rear of the vehicle. Repeat **Steps 1-2** for Driver Center Mounting Bracket (**DCM/PCM**) & Driver Rear Mounting Bracket (**DRM**) installation. Do not fully tighten hardware at this time.

STEP 4

Once all (3) Driver side mounting brackets are installed, then proceed to the Step Bar installation. (**Figs 2 & 3**)

- (1) Select (1) Slider and (2) M8X1.25-35mm Carriage Bolts;
- (2) Install (2) M8X1.25-35mm Carriage Bolts in (1) Slider.
- (3) Slide the Slider (with carriage bolts) to the **Step Bar**.
- (4) Repeat to install the other (2) sliders to the step bar.
- (5) Attach the Step Bar (with the Sliders) onto the installed mounting brackets. Position the Sliders to the installed brackets. Secure the Step Bar to the installed Brackets by using (6) M8 Large Flat Washers and (6) M8 Nylon Lock Nuts and (3) Sliders, (**Fig 3**). Do not fully tighten hardware at this time.

Note: The Sliders are packed with the Step Bars.

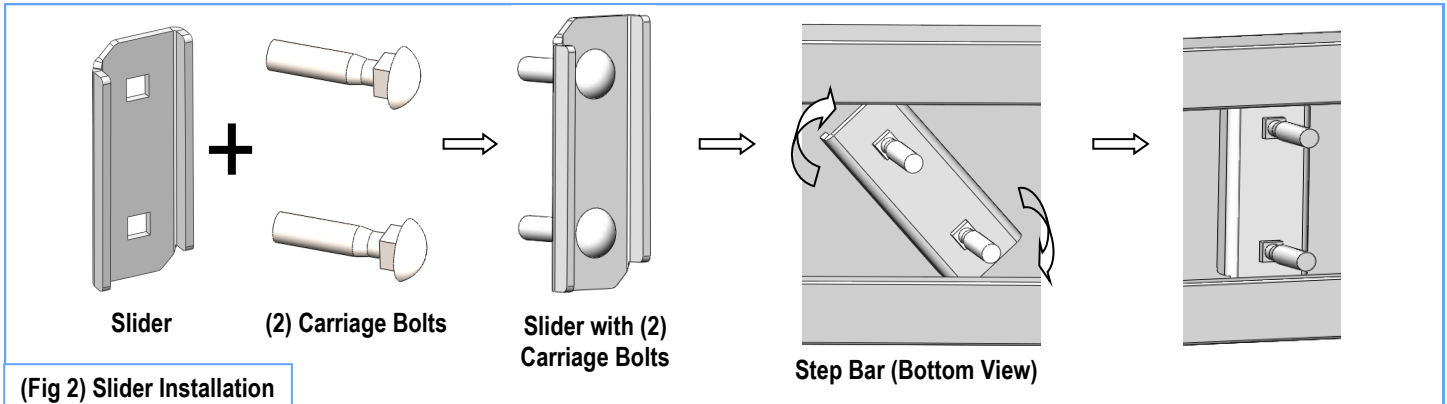
Level and adjust the Step Bar and fully tighten all hardware.

Repeat **Steps 1-4** for the other side Step Bar installation. **The installation is completed!!!**

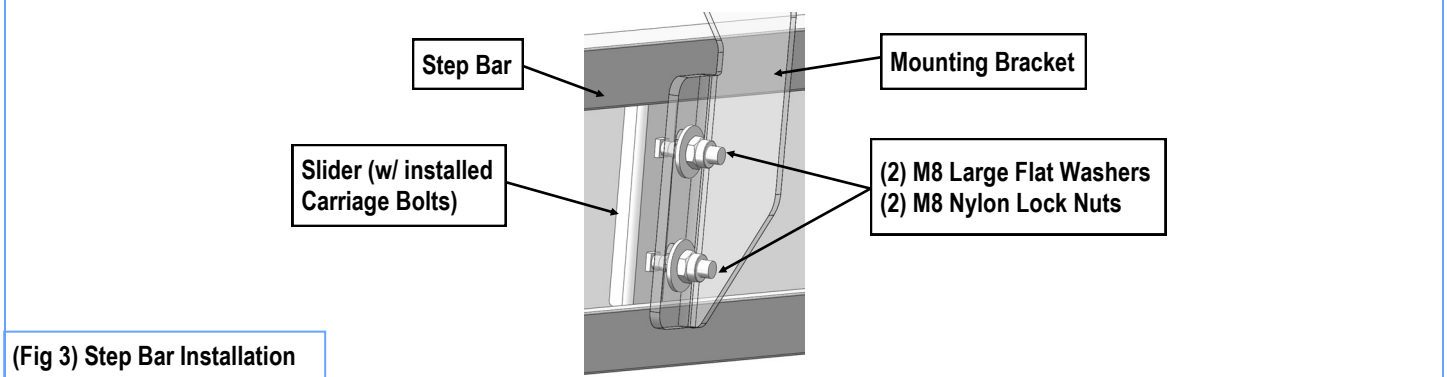
Attention

Do periodic inspections to the installation to make sure that all hardware is secure and tight.

In order to protect your bars/boards, please use mild soap/non-abrasive products for cleaning only.



(Fig 2) Slider Installation



(Fig 3) Step Bar Installation