

iBoard®

iBoard® by APS

PART#: IB-233A-B

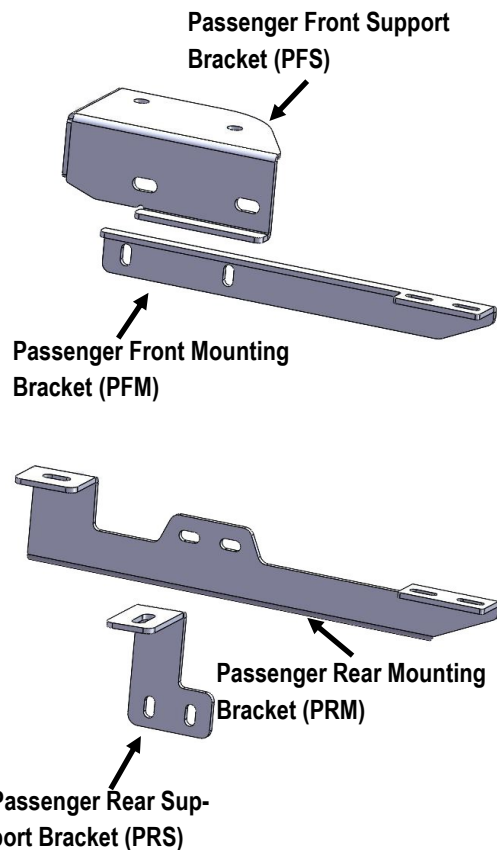
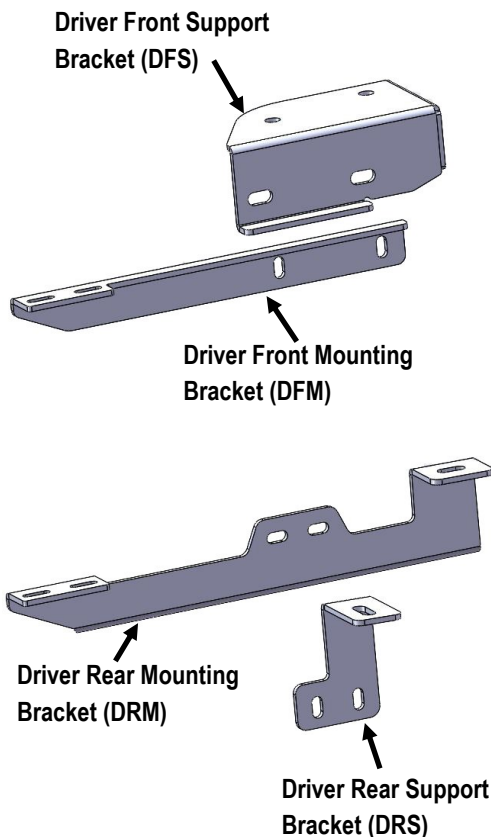
READ INSTRUCTIONS CAREFULLY BEFORE STARTING INSTALLATION. REMOVE CONTENTS FROM BOX AND VERIFY ALL PARTS ARE PRESENT. ASSISTANCE IS RECOMMENDED.

***BODY FRAME MOUNT
*NO DRILLING REQUIRED**

| Fastener Size | Tightening Torque (ft-lbs) |
|---------------|----------------------------|
| 6mm | 6-7 |
| 8mm | 16-18 |
| 10mm | 31-32 |
| 12mm | 56-58 |
| 14mm | 92-94 |

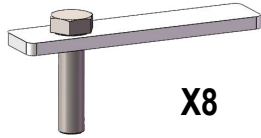
PART LIST

Front
↑



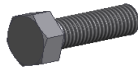
Customer Support: info@iboardauto.com

iBoard®



X8

M10x45 Bolt Plate



X8

M10x1.5-30mm Hex Bolt



X8

M10 Large Flat Washer



X16

M10 Flat Washer



X16

M10 Lock Washer



X16

M10 Hex Nut



X8

M6x1-20mm
Square Head Bolt



X8

M6 Large Flat Washer

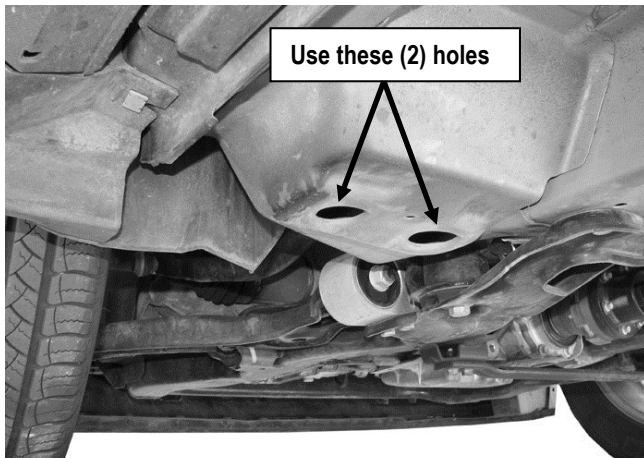


X8

M6x1 Nylon Lock Nut

STEP 1

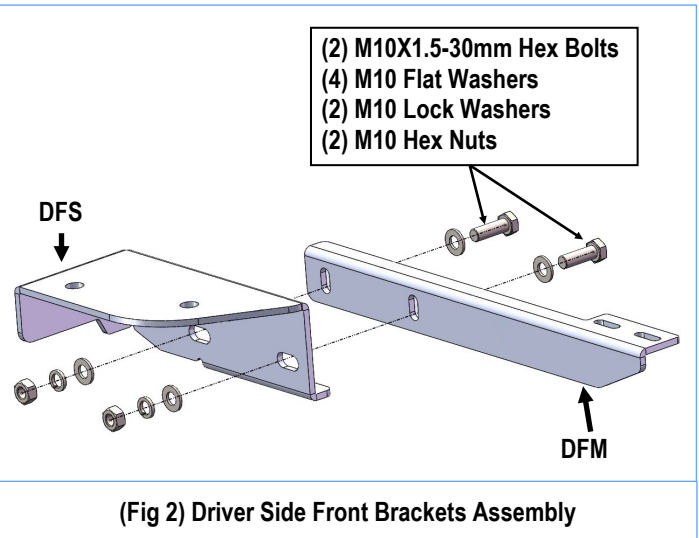
Starting from the driver side front of the vehicle. Locate the (2) large factory holes in the floor panel by the front tires, **(Fig 1)**.



(Fig 1) Driver Side Front Mounting Location

STEP 2

Assemble Driver Front Mounting Bracket (**DFM**) and Driver Front Support Bracket (**DFS**) with (2) M10x1.5-30mm Hex Bolts, (4) M10 Flat Washers, (2) M10 Lock Washers and (2) M10 Hex Nuts, **(Fig 2)**. Do not fully tighten hardware at this time.



(Fig 2) Driver Side Front Brackets Assembly

STEP 3

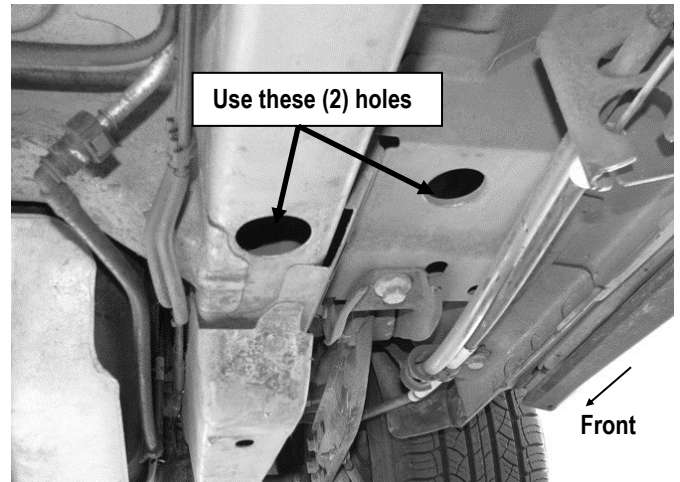
Select (2) M10x45 Bolt Plates. Insert (1) M10x45 Bolt Plate into each of the factory holes, **(Fig 3A)**.

IMPORTANT: Once you have inserted the Bolt Plates, make sure that the welded washer on each Bolt Plate is in the center of the factory hole, **(Figs 3A & 3B)**.

iBoard®

STEP 5

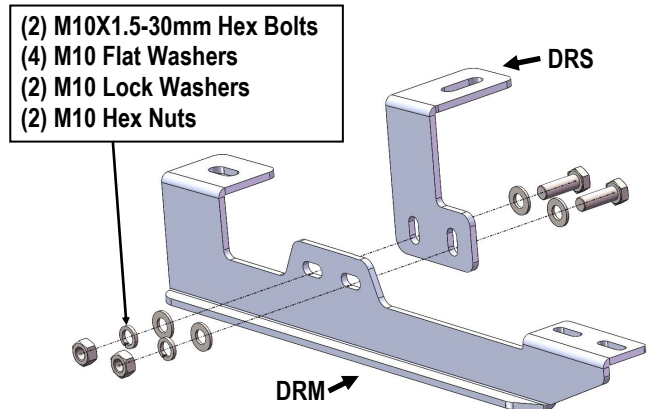
Move to the Driver side rear mounting location, (Fig 5). Locate the large factory holes at the bottom of the suspension mount.



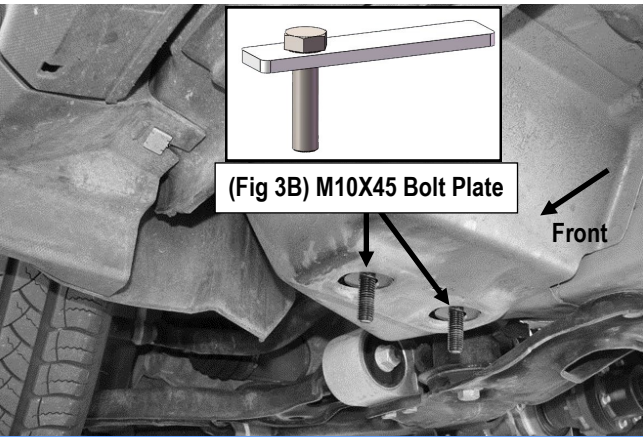
(Fig 5) Driver Side Rear Mounting Location

STEP 6

Repeat **Step 2** to assemble Driver Rear Mounting Bracket (DRM) and Driver Rear Support Bracket (DRS), (Fig 6). Do not fully tighten hardware at this time.



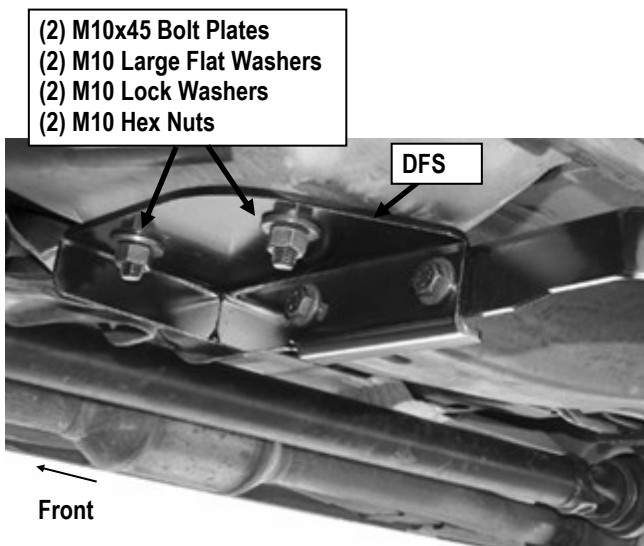
(Fig 6) Driver Side Rear Brackets Assembly



(Fig 3A) M10x45 Bolt Plate Installed
(On Driver Side Front Mounting Location)

STEP 4

Select the assembled driver front brackets. Attach the Driver Front Support Bracket (DFS) to the installed (2) M10x45 Bolt Plates with (2) M10 Large Flat Washers, (2) M10 Lock Washers and (2) M10 Hex Nuts, (Fig 4). Do not fully tighten hardware at this time.

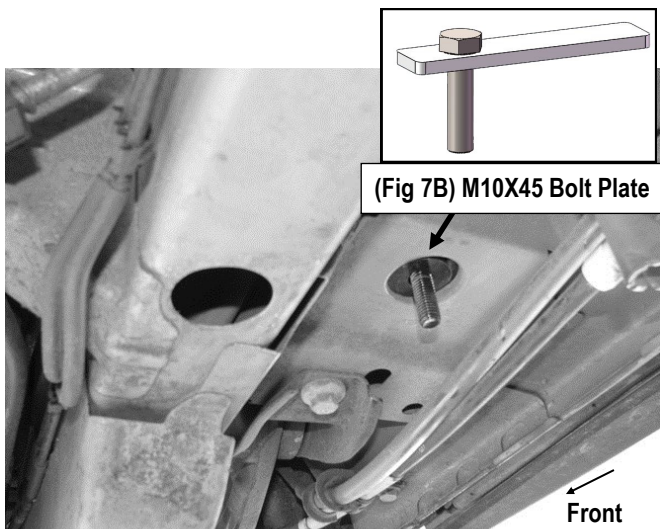


(Fig 4) Passenger Side Front Brackets Installed

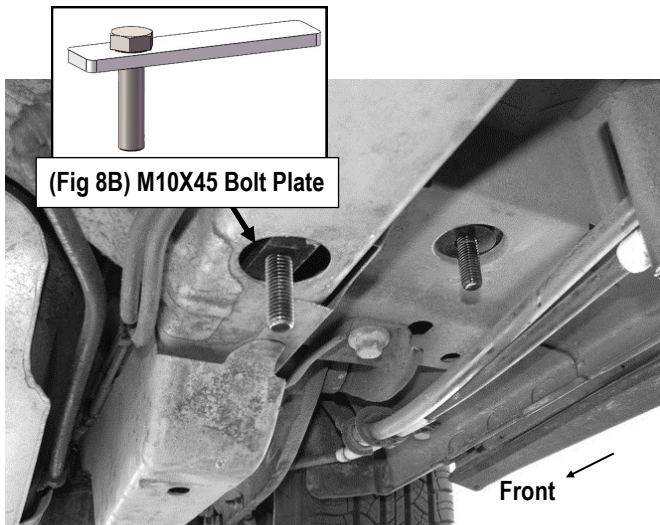
iBoard®

STEP 7

Insert (1) M10x45 Bolt Plate into the large hole in the suspension mount as described in **Step 3, (Figs 7A & 7B)**. Next, locate the factory hole in the bottom of the inner frame channel. Insert (1) M10x45 Bolt Plate into the hole at the bottom of the frame channel, (**Figs 8A & 8B**).



(Fig 7A) M10x45 Bolt Plate Installed
(On Driver Side Rear Mounting Location)

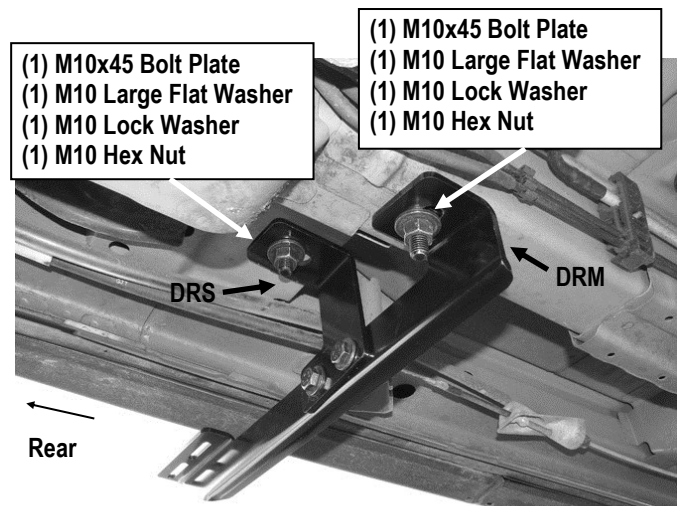


(Fig 8A) M10x45 Bolt Plate Installed
(On Driver Side Rear Mounting Location)

STEP 8

Select the Driver Rear Mounting Bracket (**DRM**) and Driver Rear Support Bracket (**DRS**). Attach the Driver Rear Mounting Bracket (**DRM**) to the installed M10x45 Bolt Plate with (1) M10 Large Flat Washer, (1) M10 Lock Washer and (1) M10 Hex Nut. (**Fig 9**). Do not fully tighten hardware at this time.

Repeat to attach the Driver Rear Support Bracket (**DRS**) to the installed M10x45 Bolt Plate. (**Fig 9**). Do not fully tighten hardware at this time.



(Fig 9) Passenger Side Rear Brackets Installed

STEP 9

Select a Running Board. Slip (2) M6X1-20mm Square Head Bolts into each bottom channel (**Fig 10**). Carefully position the Running Board onto the (2) Mounting Brackets.

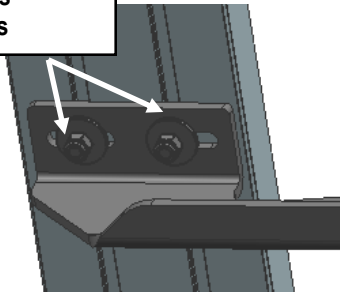
IMPORTANT: Do not slide the Running Board on the Brackets or the bottom surface of the board will be damaged. Attach the Running Board to each Mounting Brackets with (2) M6x1-20mm Square Head Bolts, (2) M6 Large Flat Washers and (2) M6 X1 Nylon Lock Nuts (**Fig 11**). Do not fully tighten at this time.

iBoard®



(Fig 10) Slip M6X1-20mm Square Head Bolts Into The Bottom Channels

- (2) M6X1-20mm Square Head Bolts
- (2) M6 Large Flat Washers
- (2) M6X1 Nylon Lock Nuts



(Fig 11) Running Board Installed Onto the Mounting Bracket

STEP 10

Level and adjust the Running Board and fully tighten all hardware.

STEP 11

Repeat **Steps 1-10** for the other side Running Board installation. The installation is completed, (Fig 12).



(Fig 12) Installation Completed

Attention

Do periodic inspections to the installation to make sure that all hardware is secure and tight.

In order to protect your bars/boards, please use only mild soap/non-abrasive products for cleaning.