

iBoard®



Scan for
Installation Video

iBoard® by APS

PART#: IB-171/222C&H

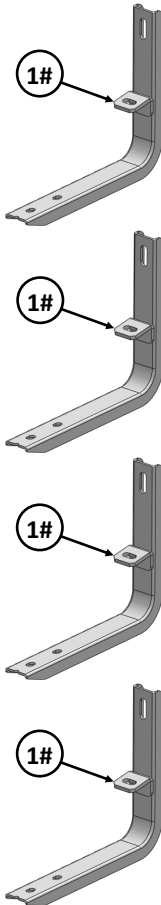
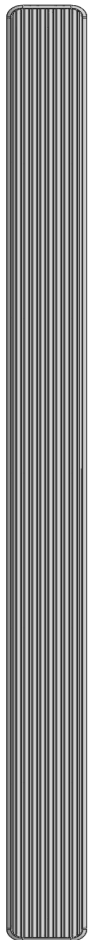
READ INSTRUCTIONS CAREFULLY BEFORE STARTING INSTALLATION. REMOVE CONTENTS FROM BOX AND VERIFY ALL PARTS ARE PRESENT. ASSISTANCE IS RECOMMENDED.

*ROCKER PANEL MOUNT
*NO DRILLING REQUIRED

| Fastener Size | Tightening Torque (ft-lbs) | Required |
|---------------|----------------------------|----------|
| 6mm | 6-7 | X |
| 8mm | 16-18 | √ |
| 10mm | 31-32 | X |
| 12mm | 56-58 | X |
| 14mm | 92-94 | X |

PART LIST

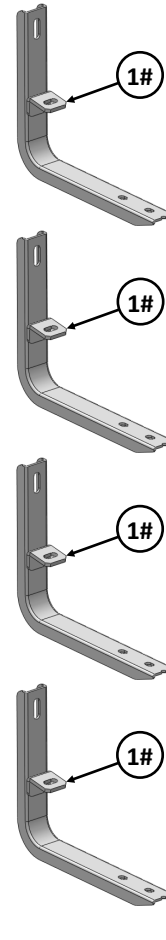
Driver Side Step Bar



Front



Passenger Side Step Bar




Customer Support: info@iboardauto.com




Scan for
Installation Video

| Mounting Bracket List | | | | | |
|-----------------------|-----|-------------------|------|-----|-------------|
| Item | QTY | Description | Item | QTY | Description |
| 1# | 8 | Mounting Brackets | | | |


| Hardware Package A (For Bracket Installation) | | | | | |
|---|-----|------------------------|------|-----|-----------------|
| Item | QTY | Description | Item | QTY | Description |
| 1# | 16 | M8X1.25-30mm Hex Bolts | 3# | 16 | M8 Lock Washers |
| 2# | 16 | M8 Large Flat Washers | | | |



1#

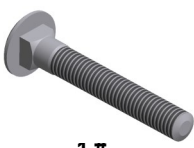


2#




3#


| Hardware Package B (For Stainless Steel Step Bar Installation) | | | | | |
|--|-----|-----------------------------|------|-----|---------------------------------|
| Item | QTY | Description | Item | QTY | Description |
| 1# | 16 | M8X1.25-35mm Carriage Bolts | 3# | 16 | M8 Nylon Lock Nuts |
| 2# | 16 | M8 Large Flat Washers | 4# | 8 | Sliders (Packed with Step Bars) |




1 #



2 #



3 #



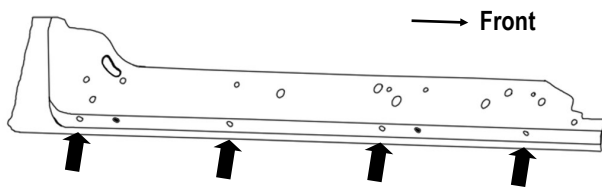
4 #



STEP 1

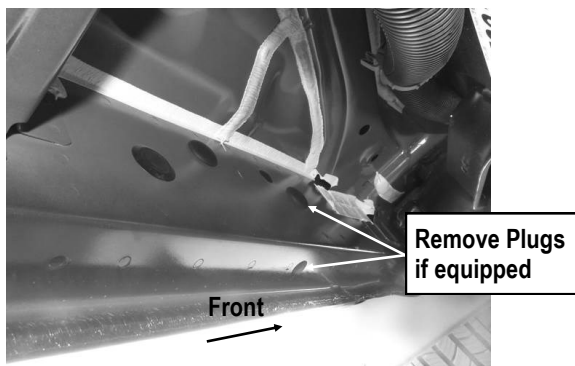
Start the installation under the driver side of the vehicle. Locate the 8 plugs along the bottom edge of the body. Mounting Brackets will bolt to the 1st, 3rd, 4th and 6th threaded mounting holes, (Fig 1-6). Remove the plastic plugs from each mounting location. Directly above each threaded insert is the top mounting location on the side of the body panel. Hold a Mounting Bracket up in place to help determine the mounting locations.

NOTE: Thread an M8X1.25-30mm Hex Bolt into the threaded inserts to clear paint as required.

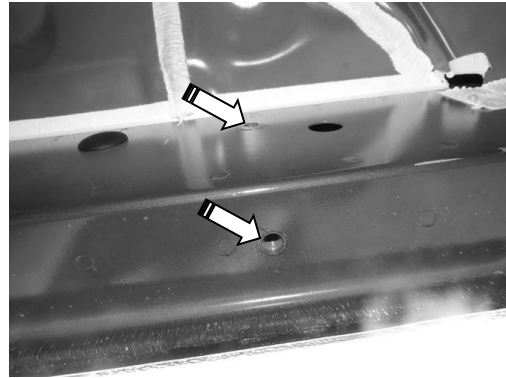


(Fig 1) Driver Side Mounting Locations Illustrated

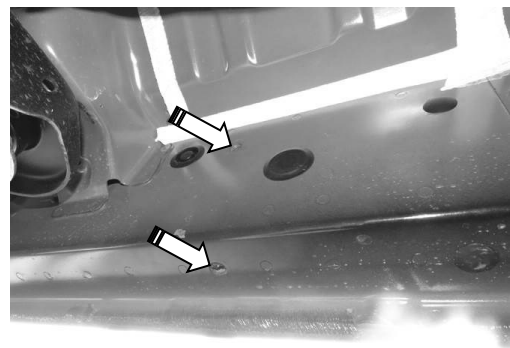
(NOTE: Hold a Mounting Bracket up in place to help determine the mounting locations)



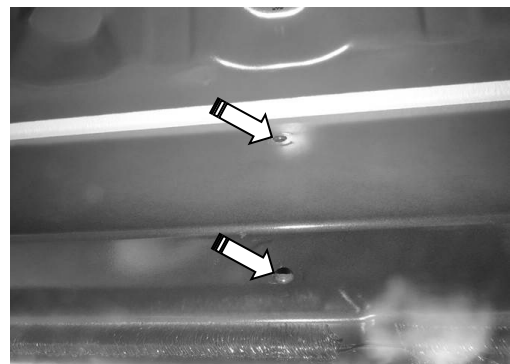
(Fig 2) Remove Plastic Plugs To Uncover Threaded Inserts



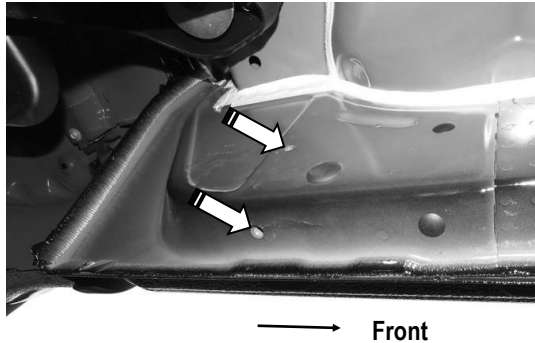
(Fig 3) Driver Side Front Mounting Location



(Fig 4) Driver Side 3rd Mounting Location



(Fig 5) Driver Side 4th Mounting Location

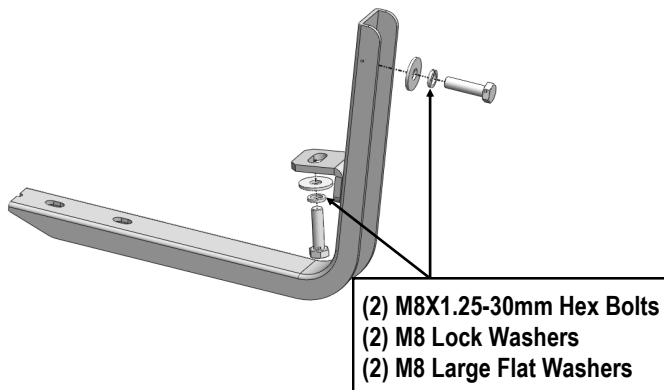


(Fig 6) Driver Side Rear Mounting Location

STEP 2

Start from the front of the side. Select and bolt the Driver Front Mounting Bracket to the 1st factory threaded holes with (2) M8X1.25-30mm Hex Bolts, (2) M8 Lock Washers and (2) M8 Large Flat Washers (Fig 7). Do not fully tighten hardware at this time.

Note: All (8) Mounting Brackets are universal.



(Fig 7) Driver Front Mounting Bracket Installation

STEP 3

Repeat **Step 2** to install the other (3) Mounting Brackets on the remaining driver side mounting locations along the body panel.

STEP 4

Once all (4) Driver mounting brackets are installed, then proceed to the Step Bar installation. (Figs 8 & 9)

(1) Select (1) Slider and (2) M8X1.25-35mm Carriage Bolts;

(2) Install (2) M8X1.25-35mm Carriage Bolts in (1) Slider.

(3) Slide the Slider (with carriage bolts) to the **Step Bar**.

(4) Repeat to install the other (3) sliders to the step bar.

(5) Attach the Step Bar (with the Sliders) onto the installed mounting brackets. Position the Sliders to the installed brackets. Secure the Step Bar to the installed Brackets by using (8) M8 Large Flat Washers and (8) M8 Nylon Lock Nuts and (4) Sliders, (Fig 9).

Do not fully tighten hardware at this time.

Note: The Sliders are packed with the Step Bars.

Level and adjust the Step Bar and fully tighten all hardware.

Repeat **Steps 1-4** for the other side Step Bar installation. **The installation is completed!!!**

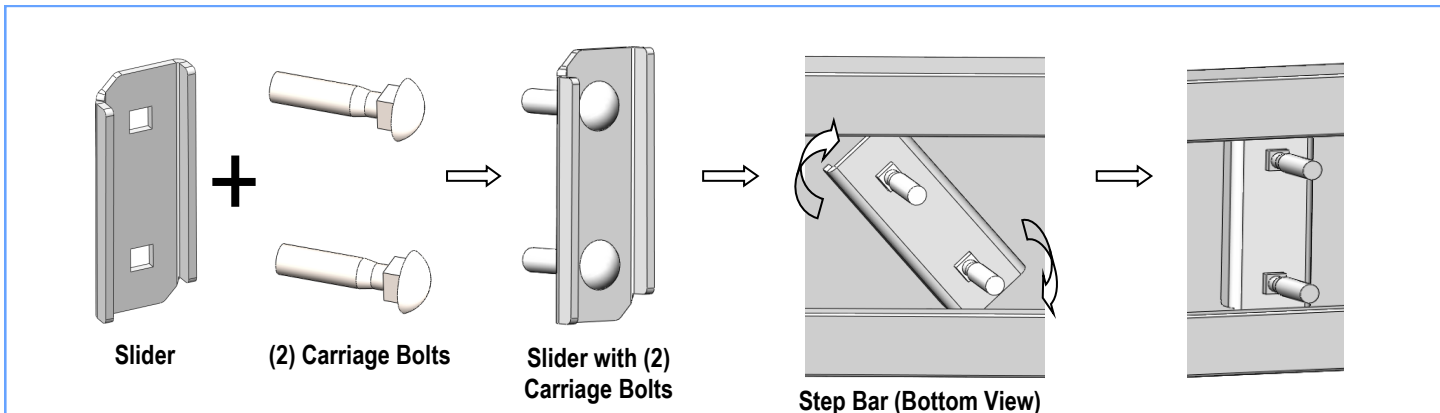
Attention

Do periodic inspections to the installation to make sure that all hardware is secure and tight.

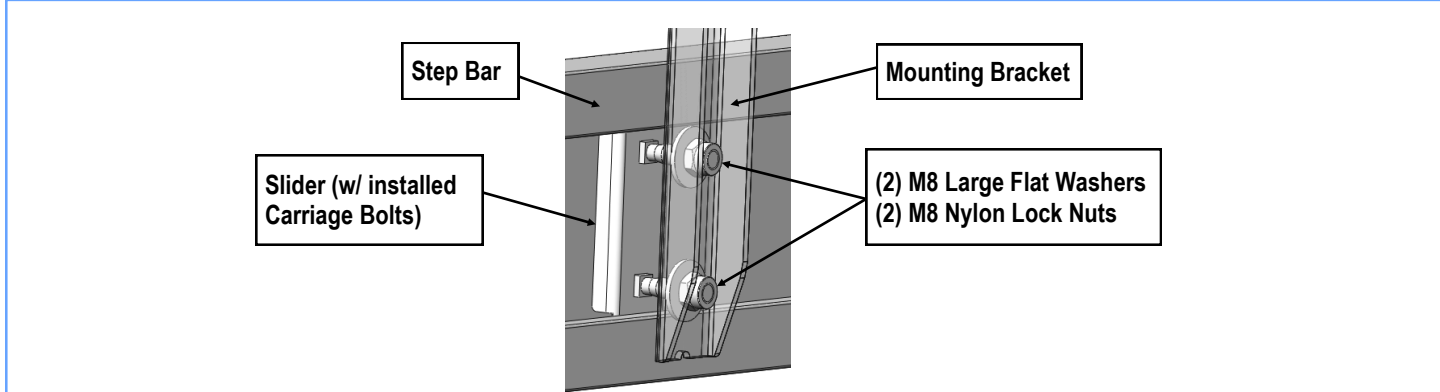
In order to protect your bars/boards, please use mild soap/non-abrasive products for cleaning only.



Scan for
Installation Video



(Fig 8) Slider Installation



(Fig 9) Step Bar Installation