

iBoard®



Scan for
Installation Video

iBoard® by APS

PART#: IB-195X C&H

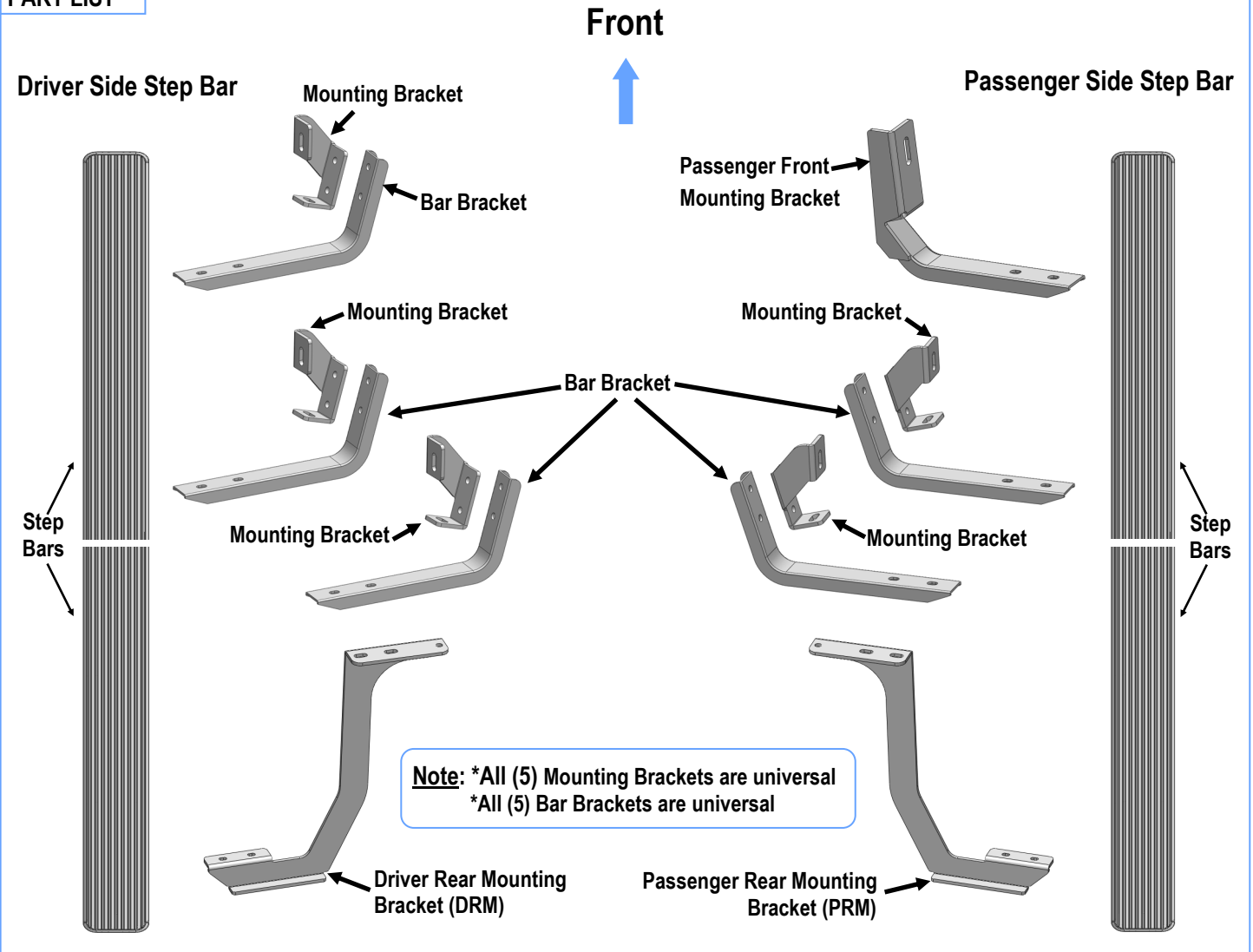
READ INSTRUCTIONS CAREFULLY BEFORE STARTING INSTALLATION. REMOVE CONTENTS FROM BOX AND VERIFY ALL PARTS ARE PRESENT. ASSISTANCE IS RECOMMENDED.

*ROCKER PANEL MOUNT

*DRILLING IS REQUIRED/CUTTING MAYBE REQUIRED

Fastener Size	Tightening Torque (ft-lbs)	Required
6mm	6-7	X
8mm	16-18	√
10mm	31-32	√
12mm	56-58	X
14mm	92-94	X

PART LIST

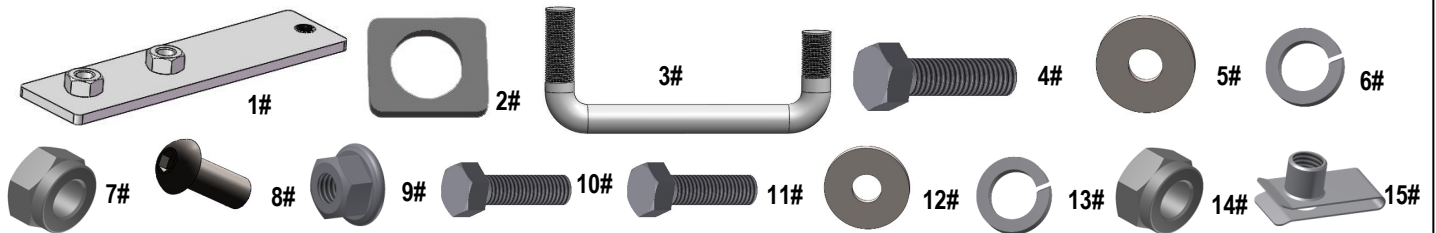


Customer Support: info@iboardauto.com



Hardware Package A (For Bracket Installation)

Item	QTY	Description	Item	QTY	Description
1#	2	M10 Double Nut Plates	9#	10	M8 Hex Flange Nuts
2#	1	SQ Spacers	10#	1	M8X1.25-35mm Hex Bolts
3#	2	M10 U Bolts	11#	12	M8X1.25-25mm Hex Bolts
4#	4	M10X1.5-30mm Hex Bolts	12#	13	M8 Flat Washers
5#	4	M10 Flat Washers	13#	13	M8 Lock Washers
6#	4	M10 Lock Washers	14#	1	M8 Nylon Lock Nuts
7#	4	M10 Nylon Lock Nuts	15#	11	M8 Clip Nuts
8#	10	M8X1.25-20mm Inner Hex Bolts			



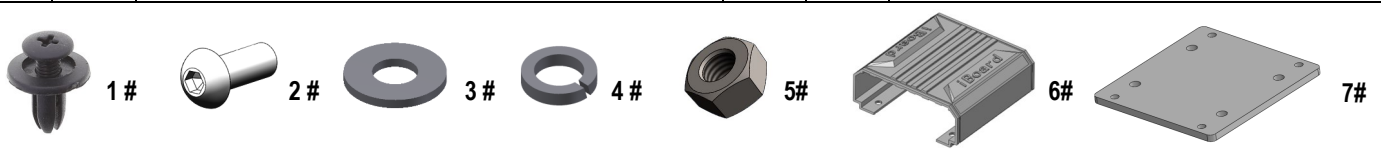
Hardware Package B (For Stainless Steel Step Bar Installation)

Item	QTY	Description	Item	QTY	Description
1#	16	M8X1.25-35mm Carriage Bolts	3#	16	M8 Nylon Lock Nuts
2#	16	M8 Large Flat Washers	4#	8	Sliders (Packed with Step Bars)



Hardware Package C (For Stainless Steel Step Bar Assembly)

Item	QTY	Description	Item	QTY	Description
1#	8	Plastic Rivets	5#	4	M8 Hex Nuts
2#	12	M8X1.25-25mm Inner Hex Bolts	6#	2	Plastic Covers (Packed with Step Bars)
3#	16	M8 Flat Washers	7#	2	Back Plates (Packed with Step Bars)
4#	12	M8 Lock Washers			

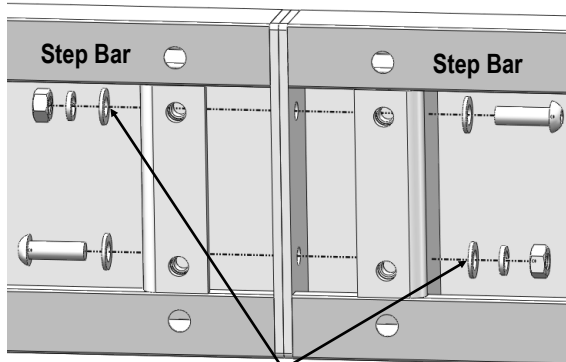




STEP 1

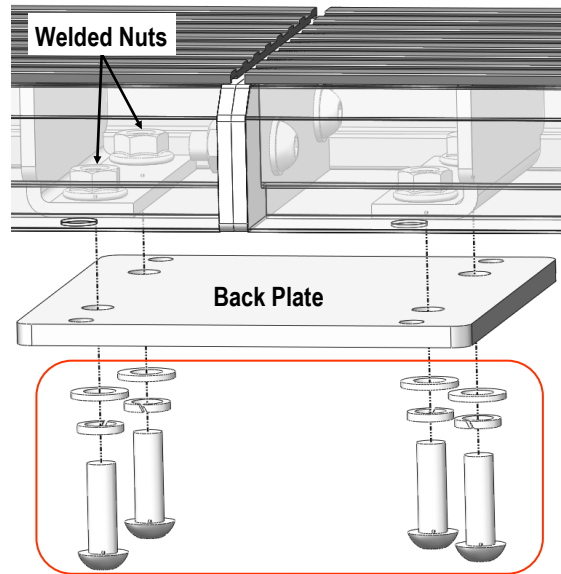
Step Bar Assembly:

1. Select and assemble (2) Step Bars with (2) M8X1.25-25mm Inner Hex Bolts, (4) M8 Flat Washers, (2) M8 Lock Washers and (2) M8 Hex Nuts, (Fig 1). **NOTE: (4) Step Bars are universal.**
2. Attach (1) Back Plate to the bottom of the installed (2) Step Bars with (4) M8X1.25-25mm Inner Hex Bolts, (4) M8 Flat Washers, (4) M8 Lock Washers, (Fig 2).
3. Install (1) Plastic Cover to cover the joint of (2) Step bars with (4) Plastic Rivets, (Fig 3).
4. Repeat to assemble the other (2) Step Bars.



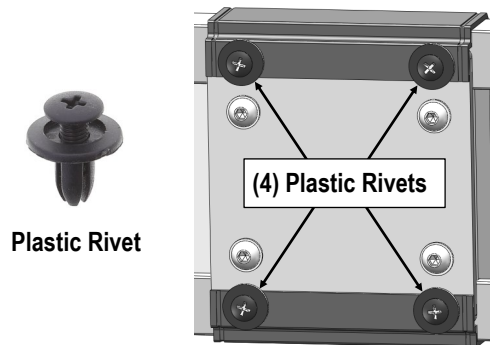
(2) M8X1.25-25mm Inner Hex Bolts
(4) M8 Flat Washers
(2) M8 Lock Washers
(2) M8 Hex Nuts

(Fig 1) Step Bars Assembly



(4) M8X1.25-25mm Inner Hex Bolts
(4) M8 Flat Washers
(4) M8 Lock Washers

(Fig 2) Back Plate Installation



Plastic Rivet

(Fig 3) Plastic Cover Installation
(Bottom View)

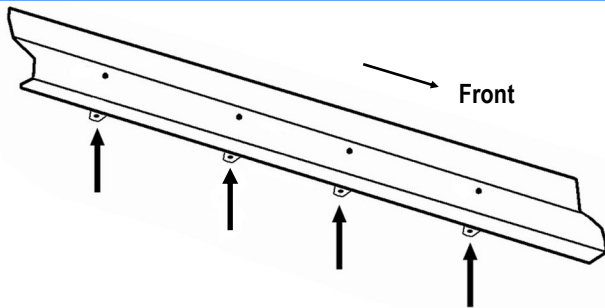
Assembled Step Bars





STEP 2

Start the installation under the driver side of the vehicle. Locate the 4 tabs along the bottom edge of the body, (pinch weld). Mounting Brackets will bolt to the 1st, 2nd, 3rd and 4th mounting tabs, (Fig 4). Directly above each tab is a top mounting location on the side of the body panel. Hold a Bracket up in place to help determine the mounting holes to use along the body.



(Fig 4) Back Of Driver Side (4) Mounting Locations

STEP 3

Determine the correct procedure for your model year and each Bracket location.

Lower mounting location on the edge of the pinch weld.

***Flat tab on pinch weld with factory installed weld nut:**

Thread M8 Hex Bolt into weld nut from the backside-down to clear paint from threads, (Fig 5).

***Flat tab on pinch weld with hole:**

Select (1) M8 Clip Nut. Slide the M8 Clip Nut over the tab with the nut facing up behind the tab, (Figs 6—8). Line up threaded nut with hole in tab. Repeat for each mounting location.

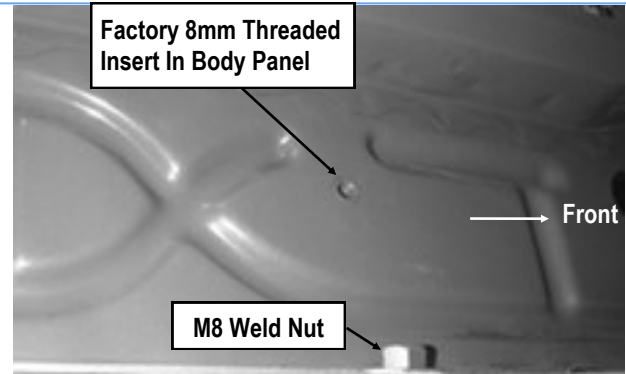
Upper mounting location on the back side of the body panel.

***Models with factory installed threaded insert in body panel:**

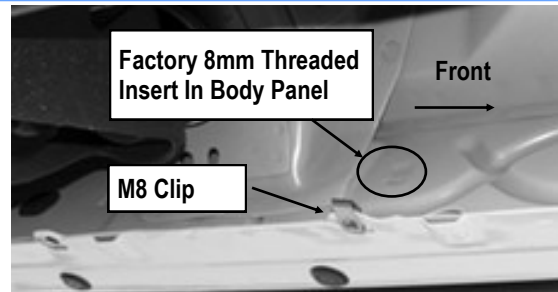
Thread M8 Hex Bolt into threaded insert to clear paint as required, (Figs 5 & 6).

***Large and small hole in side of body panel:**

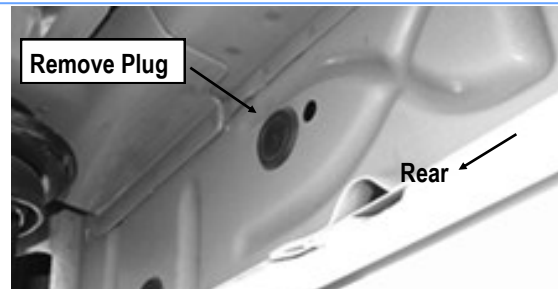
Remove the rubber plug from the larger hole, (Fig 7). Select (1) M8 Clip Nut. Slide the M8 Clip Nut into the larger hole. Line up the threaded nut with the smaller hole, (Fig 8).



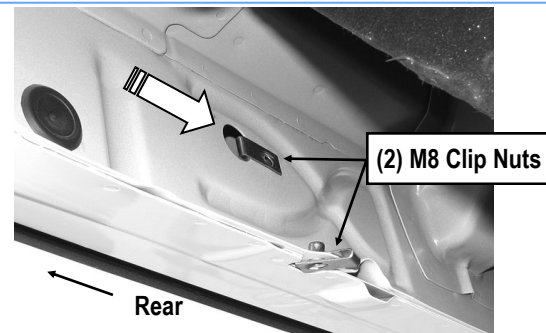
(Fig 5) Driver Front Mounting Bracket Location



(Fig 6) Driver 2nd Mounting Bracket Location



(Fig 7) Driver 3rd Mounting Bracket Location
(With Rubber Plug on Mounting Hole)



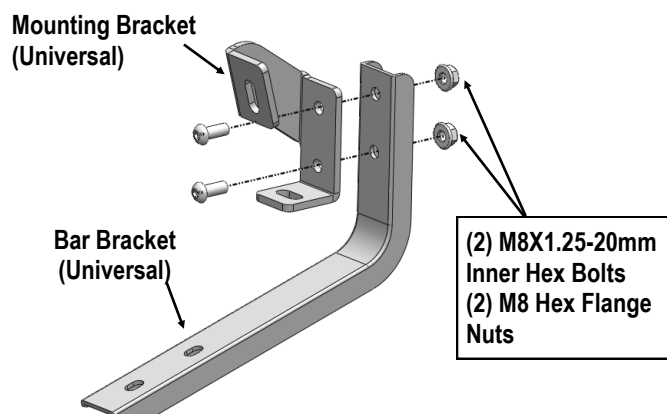
(Fig 8) Driver 3rd Mounting Bracket Location



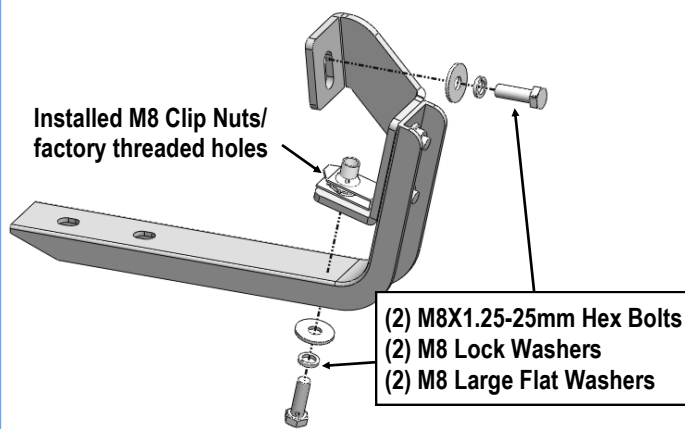
STEP 4

Assemble (1) Mounting Bracket and (1) Bar Bracket as shown, (Fig 9).

And then Bolt the assembled Mounting Bracket to the M8 Clip Nuts and/or the factory threaded holes on Driver Side Front Mounting Location with (2) M8 x1.25-25mm Hex Bolts, (2) M8 Lock Washers and (2) M8 Flat Washers, (Fig 10). Do not fully tighten the hardware at this time.



(Fig 9) Driver Front Mounting Bracket Assembly



(Fig 10) Assembled Driver Front Bracket Installed

STEP 5

Repeat **Steps 2—4** to install the (2) remaining driver side 2th & 3rd Brackets.

STEP 6

Move toward the bed along the side of the vehicle to just in front of the rear wheel opening. Locate the reinforcement channel welded to the bottom of the bed, (Figs 11 & 12B & 13). Select the appropriate installation for your year and/or model.

Determine if the end of the channel is open or filled with a factory reinforcement welded into the end, (Figs 11 & 12B & 13).

Models with open channel, (Figs 11 & 12B):

- Select (1) M10 Double Nut Plate, (Fig 12A). Insert the flat end of the Nut Plate into the open end of the channel. Line up the threaded hole and welded nut with the holes in the bottom of the channel, (Figs 11 & 12B). **NOTE:** Nut Plate has (2) welded hex nuts to fit early, (long bed support-Fig 11), and late, (short bed support-Fig 12B), model years. Line up the welded nut with the correct hole in the outer end of the bed support.
- Select (1) Driver Rear Mounting Bracket (DRM), bolt the Bracket to the bottom of the channel and the Nut Plate with (2) M10X1.5-30mm Hex Bolts, (2) M10 Lock Washers and (2) M10 Flat Washers, (Fig 13). Remaining hole in the Nut Plate and Bracket will not be used. Do not fully tighten the hardware at this time.

Models with welded-in factory reinforcement, (Fig 14):

- Locate the blocked off hole toward the end of the channel, (Fig 14). Drill a 1/2" hole through the channel, (Fig 15). **IMPORTANT:** Do not drill through bottom of truck bed.
- Insert the shorter end of the (1) M10 U Bolt into the hole closest to the frame mount and out the outer drilled hole, (Fig 16).
- Select (1) Driver Rear Mounting Bracket (DRM), attach the Bracket to the bottom of the channel and M10 U Bolt with (2) M10 Flat Washers, (2) M10 Lock Washers and (2) M10 Nylon Lock Nuts, (Fig 17). Do not fully tighten the hardware at this time.

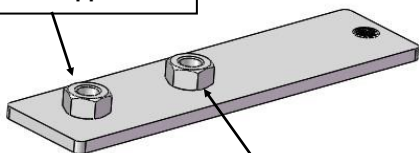


Scan for
Installation Video



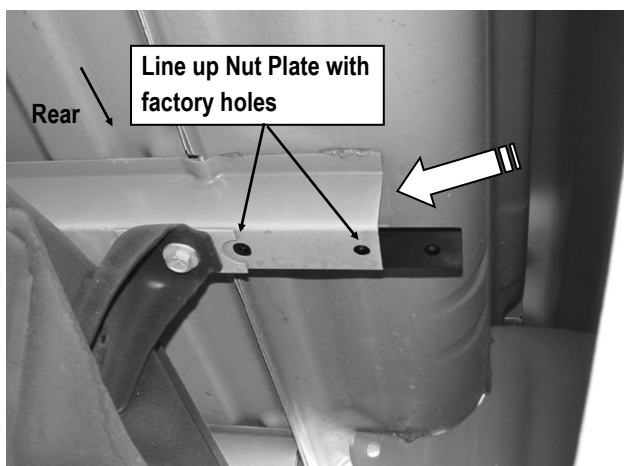
(Fig 11) Driver Rear Mounting Bracket Location
(Early "Long" Bed Support)

Long Bed Support Use

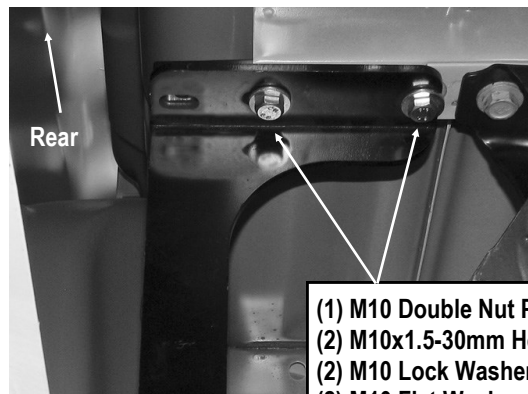


Short Bed Support Use

(Fig 12A) M10 Double Nut Plate



(Fig 12B) Driver Rear Mounting Bracket Location
(Late "Short Open End" Bed Support)



- (1) M10 Double Nut Plate
- (2) M10x1.5-30mm Hex Bolts
- (2) M10 Lock Washers
- (2) M10 Flat Washers

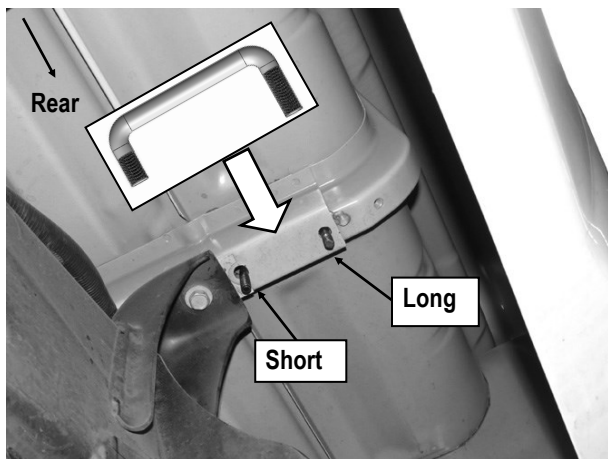
(Fig 13) Driver Rear Mounting Bracket Installed
(Models with open channel)



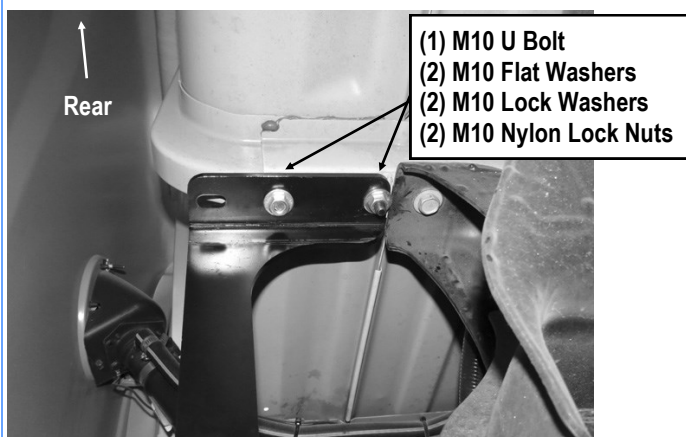
(Fig 14) Driver Rear Mounting Bracket Location
(Models With Welded-in Factory Reinforcement)



(Fig 15) Drill A 1/2" Hole Through The Channel



(Fig 16) Insert The M10 U Bolt



(Fig 17) Driver Rear Mounting Bracket Installed
(Models With Welded-in Factory Reinforcement)

STEP 7

Once all (4) Driver side mounting brackets are installed, then proceed to the Step Bar installation. (Figs 18 & 19)

- (1) Select (1) Slider and (2) M8X1.25-35mm Carriage Bolts;
- (2) Install (2) M8X1.25-35mm Carriage Bolts in (1) Slider.
- (3) Slide the Slider (with carriage bolts) to the **Step Bar**.
- (4) Repeat to install the other (3) sliders to the step bar.
- (5) Attach the Step Bar (with the Sliders) onto the installed mounting brackets. Position the Sliders to the installed brackets. Secure the Step Bar to the installed Brackets by using (8) M8 Large Flat Washers and (8) M8 Nylon Lock Nuts and (4) Sliders, (Fig 19). Do not fully tighten hardware at this time.

Note: The Sliders are packed with the Step Bars.

Level and adjust the Step Bar and fully tighten all hardware.

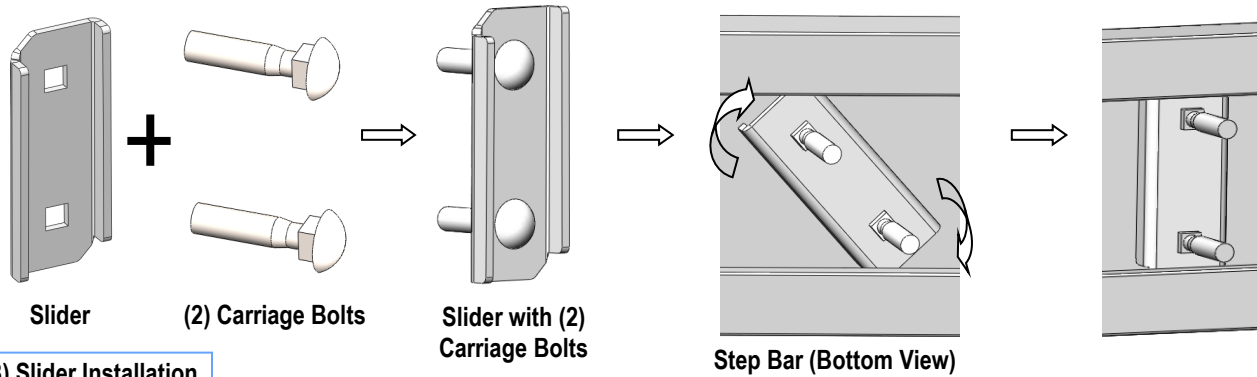
STEP 8

Move to the passenger side of the vehicle. On the passenger side, determine if the vehicle is equipped with a plastic diesel exhaust fluid (DEF) tank, (Figs 20 & 21).

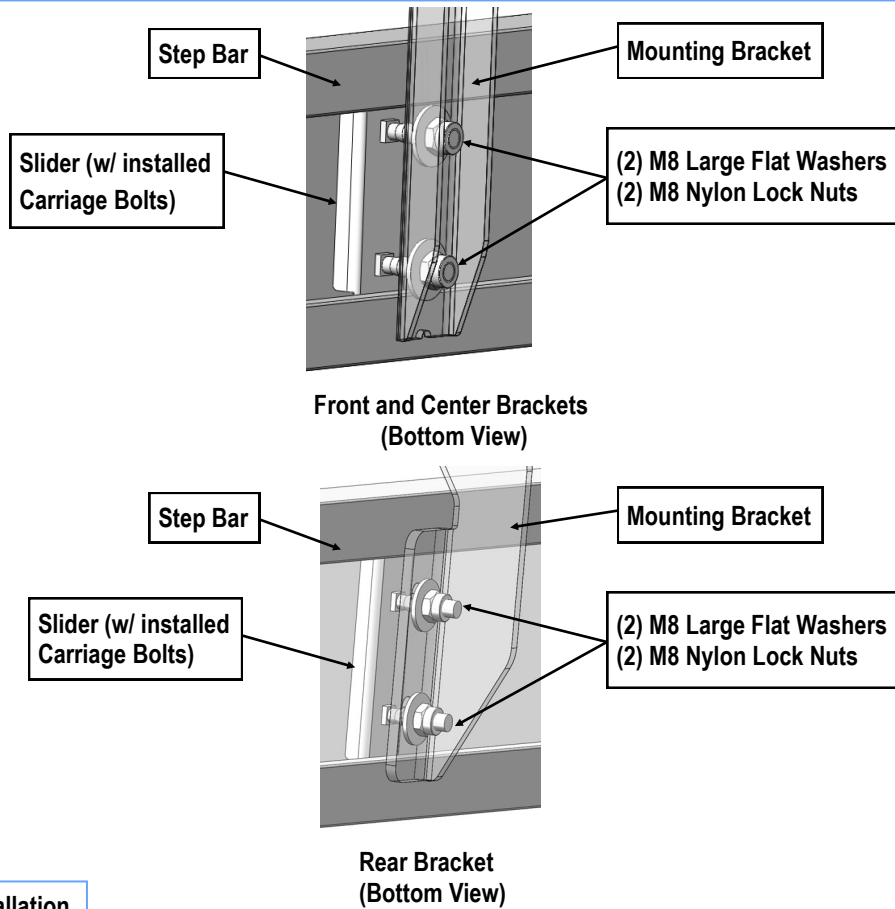
Models without DEF tank, skip to Step 9.

Models with DEF tank: The tank sits close to the side of the body. With specialized tools, the Passenger Front Mounting Bracket can be installed but room is limited. It may be easier to drop the tank down to access the inner side of the body panel for bracket installation. Tank will not need to be removed, only dropped down for access to mounting location.

IMPORTANT: If tank is full, it will be very heavy and assistance is highly recommended to avoid injury or damage to the vehicle or the tank. It is recommended that installation is performed when the DEF tank is low on fluid before dropping the tank.



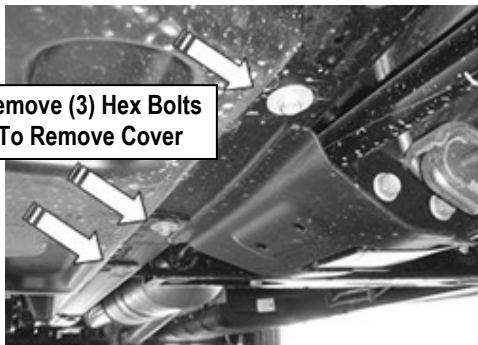
(Fig 18) Slider Installation



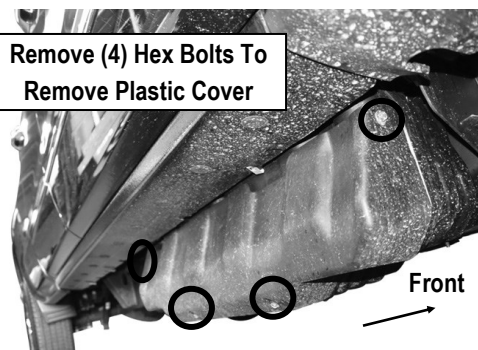
(Fig 19) Step Bar Installation



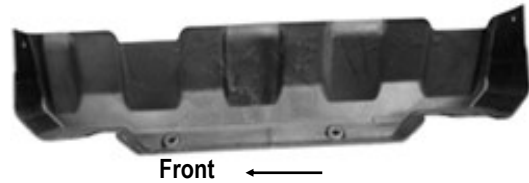
- For 07-16 Models:** with plastic lower tray under the tank, remove the (3) hex bolts attaching the tray to the frame, (Fig 20), and remove the tray. **For 2017-Up 2500/3500 models:** Remove the (4) hex bolts attaching the plastic cover to DEF tank, (Fig 21A) and remove the plastic cover, (Fig 21B).
- Release the tank filler hose. Release the plug for the sending unit on the top of the tank.
- Support the tank with a floor jack. Place a smooth flat surface, (wooden block for example), between the floor jack and the tank to avoid damaging the plastic tank. Do not push up on the tank; only support the weight of the tank with the jack.
- Remove the (2) bolts securing the tank straps to the vehicle, (Fig 22). Tilt the straps to release from the brackets. Slowly lower the tank until the top of the tank is almost visible. Use blocks or stands to support the tank while installing the front Brackets.
- Proceed to **Step 9**.



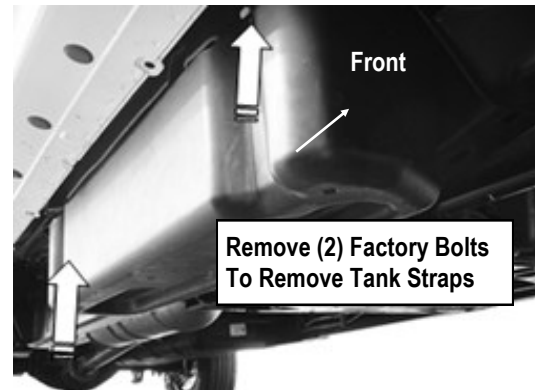
(Fig 20) 07-16 Passenger Side Front With DEF Tank Cover



(Fig 21A) 2017-Up Passenger Side Pictured With DEF Plastic Tank Cover



(Fig 21B) 2017 Passenger Side DEF Cover Removed

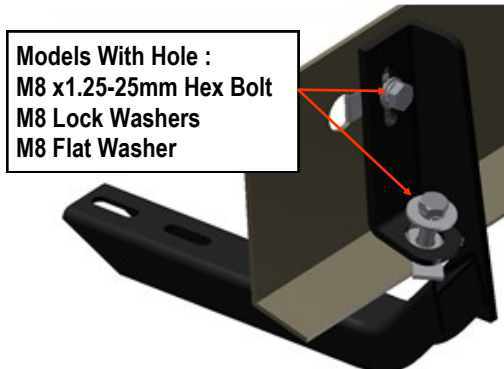


(Fig 22) 07-16 Passenger Side DEF Tank And Cover

STEP 9

Locate the first tab on the edge of the pinch weld, attach the Passenger Front Mounting Bracket (PFM) to the pinch weld and top body panel (Fig 23 & 24):

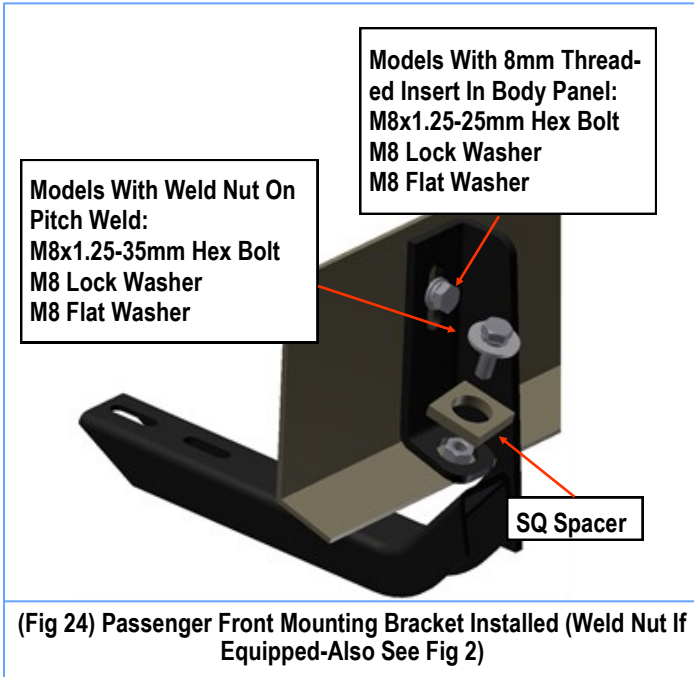
- Models with flat tab and hole:** see Fig 23. Leave loose at this time.
- Models with weld-nut:** see Fig 24. Leave loose at this time.



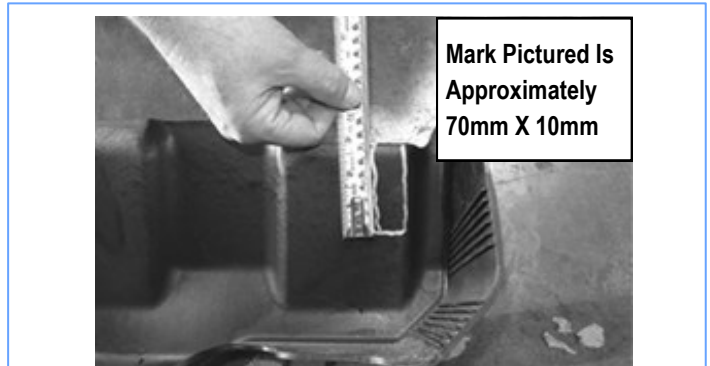
(Fig 23) Passenger Front Mounting Bracket Installed



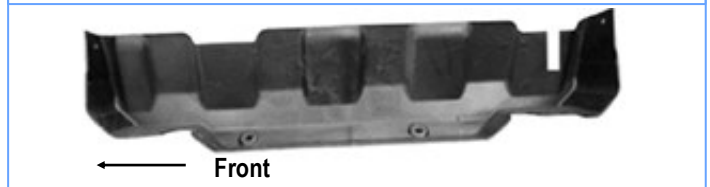
Scan for
Installation Video



(Fig 24) Passenger Front Mounting Bracket Installed (Weld Nut If Equipped-Also See Fig 2)



(Fig 26) 2017-Up Passenger Side DEF Cover Marked For Trimming

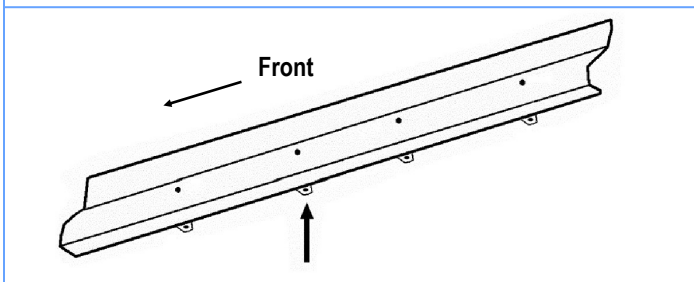


(Fig 27) 17-Up Passenger Side DEF Cut For Example Only

STEP 10

Repeat **Steps 1—3** for the (2) remaining passenger side mounting brackets installations.

2017-up 2500/3500 DEF tank models: Locate the 2nd tab bracket location along the bottom edge of the body, (pinch weld), (Fig 25). Hold the DEF cover in place and mark the 2nd Bracket location onto the cover, (Fig 26). Use a sharp knife or hacksaw blade to carefully cut a slot in the plastic cover to clear the 2nd Bracket, (Fig 27). Remove as little plastic as possible.



(Fig 25) Passenger 2nd Mounting Bracket Location From Back Of Body Panel

STEP 11

Repeat **Step 6** to install the Passenger Rear Mounting Bracket (PRM). Repeat **Step 8** to install the passenger side Step Bar installation.

STEP 12

Once the Step Bar are installed and all hardware fully tightened, reinstall the DEF tank and cover, if equipped, as described in **Step 8**.

The installation is completed.

Attention

Do periodic inspections to the installation to make sure that all hardware is secure and tight.

In order to protect your bars/boards, please use mild soap/non-abrasive products for cleaning only.