

iBoard®

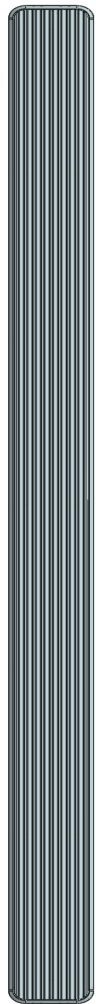
iBoard® by APS

PART#: IB-133

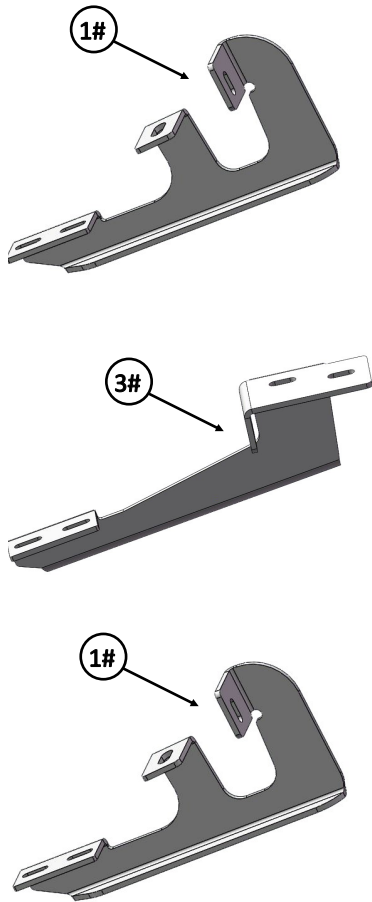
READ INSTRUCTIONS CAREFULLY BEFORE STARTING INSTALLATION. REMOVE CONTENTS FROM BOX AND VERIFY ALL PARTS ARE PRESENT. ASSISTANCE IS RECOMMENDED.

*ROCKER PANEL MOUNT
*NO DRILLING REQUIRED

Fastener Size	Tightening Torque (ft-lbs)	Required
6mm	6-7	√
8mm	16-18	√
10mm	31-32	√
12mm	56-58	X
14mm	92-94	X



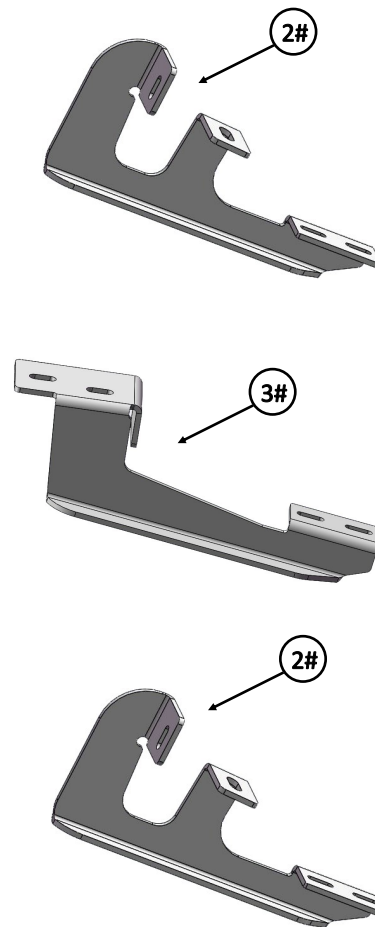
Driver Side Step Bar



Front
↑



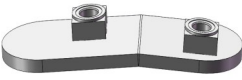
Passenger Side Step Bar

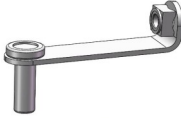



iBoard®

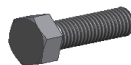
Mounting Bracket List					
Item	QTY	Description	Item	QTY	Description
1#	2	Driver Front / Rear Mounting Brackets	3#	2	Driver / Passenger Center Mounting Brackets
2#	2	Passenger Front / Rear Mounting Brackets			


Hardware Package A (For Bracket Installation)					
Item	QTY	Description	Item	QTY	Description
1#	2	M10 Double Nut Plates	6#	8	M10 Lock Washers
2#	4	M10 Bolt / M8 Nut Plates	7#	4	M10 Hex Nuts
3#	4	M10 Plastic Washer	8#	4	M8X1.25-30mm Hex Bolts
4#	4	M10X1.5-35mm Hex Bolts	9#	4	M8 Flat Washers
5#	8	M10 Flat Washer	10#	4	M8 Lock Washers


 1 #


 2 #

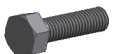
 3 #


 4 #


 5 #

 6 #

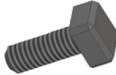
 7 #


 8 #


 9 #

 10 #


Hardware Package B (For Aluminum Step Bar Installation Only, Not Supply to SS. Step Bar)					
Item	QTY	Description	Item	QTY	Description
1#	12	M6X1-20mm Square Head Bolts	3#	12	M6 Nylon Lock Nuts
2#	12	M6 Large Flat Washers			


 1 #


 2 #

 3 #

Hardware Package C (For Stainless Steel Step Bar Installation Only, Not Supply to Aluminum Step Bar)					
Item	QTY	Description	Item	QTY	Description
1#	12	M6X1-20mm Hex Bolts	3#	12	M6 Flat Washers
2#	12	M6 Lock Washers			

 1 #

 2 #

 3 #

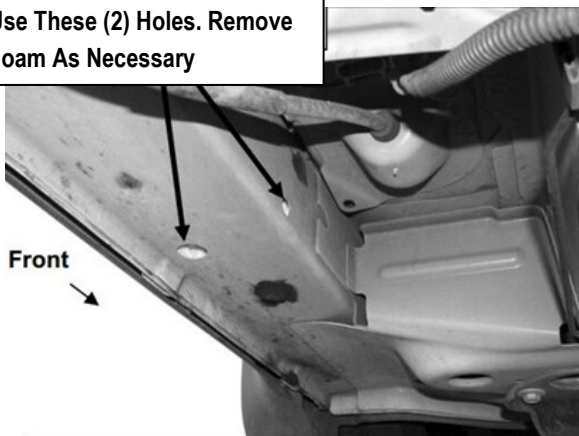
iBoard®

STEP 1

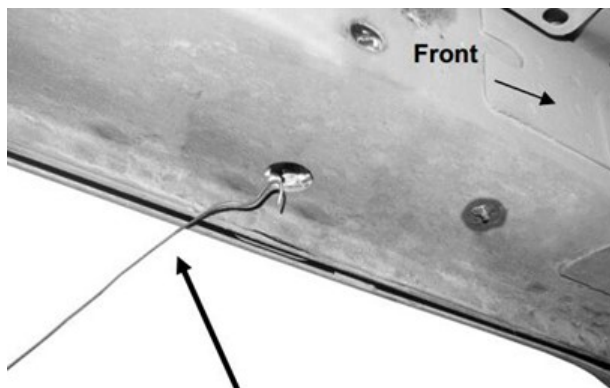
Start installation from the driver side. Locate the factory holes in the bottom and inside of the floor panel towards the front tire opening, (Fig 1).

IMPORTANT: On some vehicles, the body panel may be filled with expanding foam insulation. Use a long flat blade screwdriver or heavy wire, (coat hanger for example), to dig out the foam to provide clearance for the Bolt / Nut Plates, (Fig 2).

Use These (2) Holes. Remove Foam As Necessary



(Fig 1) Driver Front Mounting Bracket Location Pictured

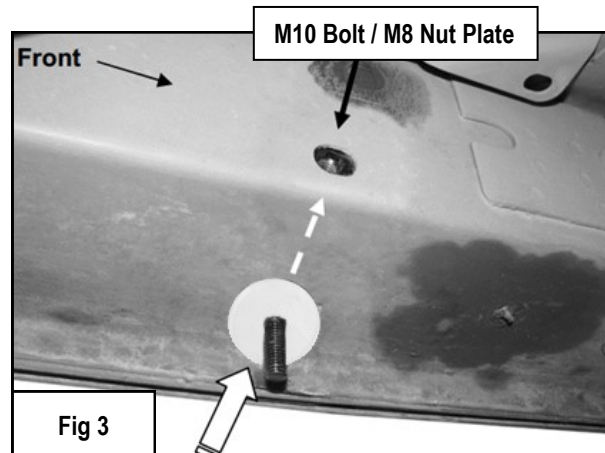


(Fig 2) Use Wire To Pull Foam From Floor Panel

STEP 2

Select (1) M10 Bolt / M8 Nut Plate. Insert the bent end with the 8mm nut into the hole in the bottom of the floor panel, (Fig 3). Line up the hex nut with the hole in the side of the floor panel. Thread (1) M10 Plastic Washer onto the M10 Bolt end of the Bolt /Nut Plate, (Fig 3).

NOTE: The Plastic Washer is provided to help hold the Bolt / Nut Plate in position during Bracket installation.

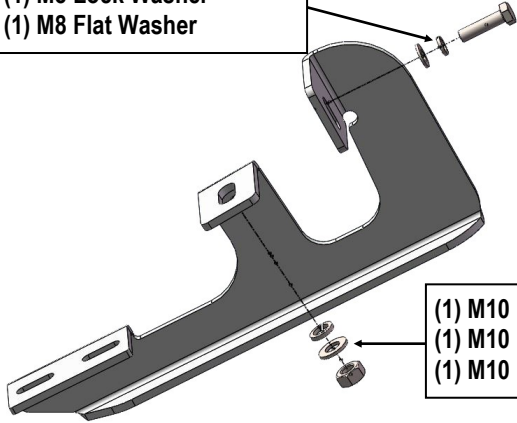


STEP 3

Select (1) Driver Front Mounting Bracket. Position the Bracket up to the vehicle and over the previously installed M10 Bolt / M8 Nut Plate, (Fig 4). Attach the Bracket to the Bolt /Nut Plate with (1) M10 Flat Washer, (1) M10 Lock Washer and (1) M10 Hex Nut. Attach the Bracket to the M8 Nut with (1) M8X1.25-30mm Hex Bolt, (1) M8 Lock Washer and (1) M8 Flat Washer. Do not fully tighten hardware at this time.

iBoard[®]

- (1) M8X1.25-30mm Hex Bolt
- (1) M8 Lock Washer
- (1) M8 Flat Washer



(Fig 4) Driver Front Mounting Bracket Installation Pictured

STEP 4

Move along the floor panel to the center of the vehicle, (Fig 5). Select (1) M10 Double Nut Plate, (Fig 6A). Insert the M10 Double Nut Plate into the large hole in the floor panel reinforcement, (Fig 6B). Line up the threaded hole with the single small hole in the reinforcement, (Fig 7).

NOTE: The M10 Double Nut Plate is offset to line up with the offset holes in the floor panel reinforcement.



(Fig 5) Driver Center Mounting Bracket Location Pictured

Line Up Offset Hole In Nut Plate With Single Small Hole

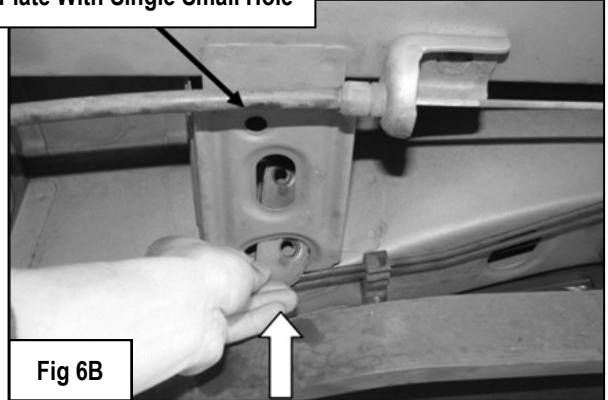
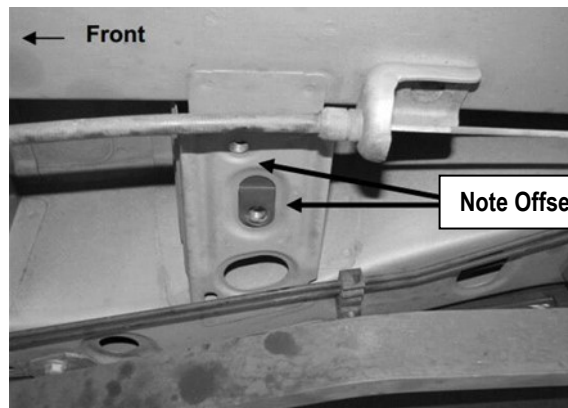


Fig 6B



Fig 6A

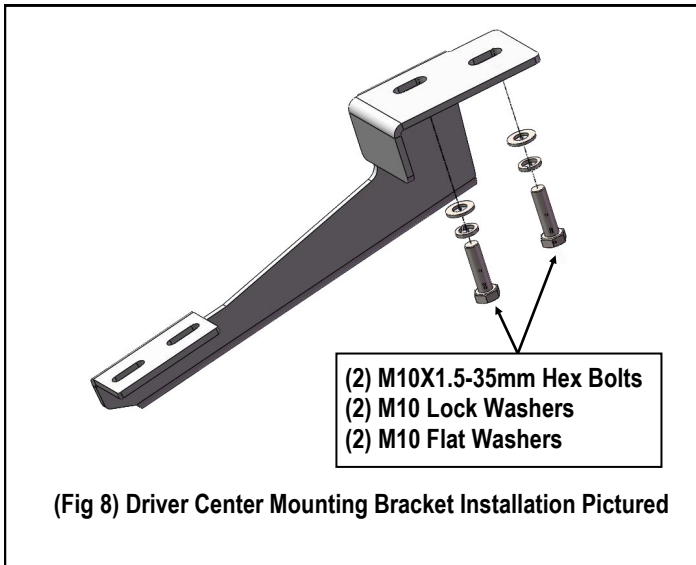


(Fig 7) Driver Center Mounting Bracket Location Pictured

STEP 5

Select (1) Driver Center Mounting Bracket. Line up the (2) holes in the Center Bracket with the Double Nut Plate. Bolt the Bracket to the Double Nut Plate with (2) M10X1.5-35mm Hex Bolts, (2) M10 Lock Washers and (2) M10 Flat Washers, (Fig 8). Do not fully tighten hardware at this time.

iBoard®

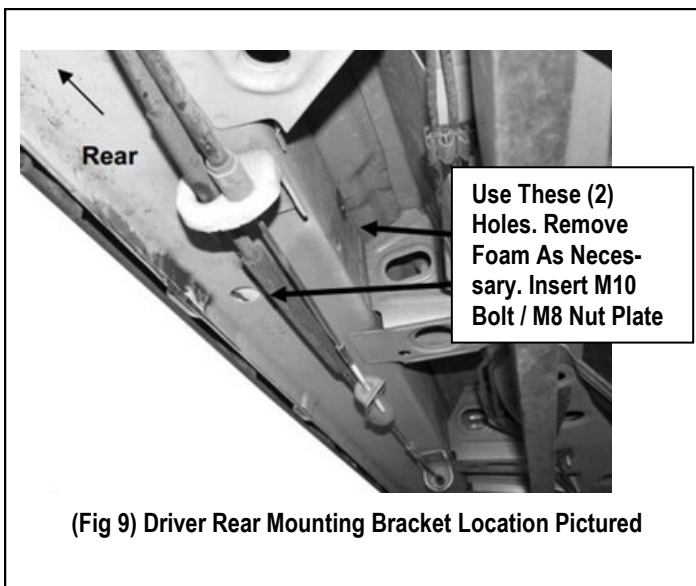


(Fig 8) Driver Center Mounting Bracket Installation Pictured

STEP 6

Continue along the floor panel toward the rear of the vehicle. Locate the round hole in the bottom of the floor panel as described in **Step 1, (Fig 9)**. Repeat **Steps 2-3** to install the Driver Rear Mounting Bracket in the rear location.

Note: Driver Front Mounting Bracket and Driver Rear Mounting Bracket are universal.



(Fig 9) Driver Rear Mounting Bracket Location Pictured

STEP 7

Once all (3) mounting brackets are installed, then proceed to the Step Bar installation. According to the style of Step Bar proceed to the correct installation STEPS.

Note: Aluminum Step Bar refer to **STEP 8**; Stainless Steel Step Bar skip to **STEP 9**.

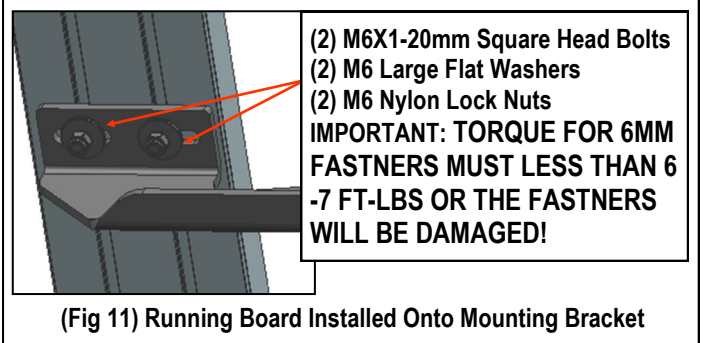
STEP 8

Aluminum Step Bar Installation:

Select a **Aluminum Step Bar**. Slip (3) M6x1-20mm Square Head Bolts into each bottom channel (**Fig 10**). Carefully position the Step Bar onto the (3) Mounting Brackets.

IMPORTANT: Do not slide the Step Bar on the Brackets or the bottom surface of the board will be damaged. Attach the Step Bar to each Mounting Brackets with (2) M6x1-20mm Square Head Bolts, (2) M6 Large Flat Washers and (2) M6 Nylon Lock Nuts, (**Fig 11**). Do not fully tighten at this time.

Level and adjust the Step Bar and fully tighten all hardware. Repeat **Steps 1-8** for the other side Step Bar installation. **The installation is completed!!!**



(Fig 11) Running Board Installed Onto Mounting Bracket

iBoard®

STEP 9

Stainless Steel Step Bar Installation:

Select a **Stainless Steel Step Bar** (with the U-Sliders installed on the Bar). Loose the U-Sliders, reposition the U-Sliders onto the board according to the (3) Installed Mounting Brackets location, (**Fig 12**). Re-secure the U-Sliders on the Step Bar. Attach the Step Bar to the installed Mounting Brackets with (6) M6X1-20mm Hex Bolts, (6) M6 Large Flat Washers & (6) M6 Lock Washers, (**Fig 13**). Do not fully tighten hardware at this time.

Level and adjust the Step Bar and fully tighten all hardware.

Repeat **Steps 1-7 and 9** for the other side Step Bar installation.

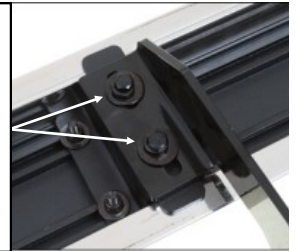
The installation is completed!!!



(Fig 12) Slide & line up the U-Slider with the installed mounting brackets along bottom channel

- (2) M6X1-20mm Hex Bolts
- (2) M6 Large Flat Washers
- (2) M6 Lock Washers

IMPORTANT: TORQUE FOR 6MM FASTNERS MUST LESS THAN 6-7 FT-LBS OR THE FASTNERS WILL BE DAMAGED!



(Fig 13) Step Bar Installed on Bracket Installed (Example)

Attention

Do periodic inspections to the installation to make sure that all hardware is secure and tight.

In order to protect your bars/boards, please use only mild soap/non-abrasive products for cleaning.