

iBoard®



Scan for
Installation Video

iBoard® by APS

PART#: IB-068C&H

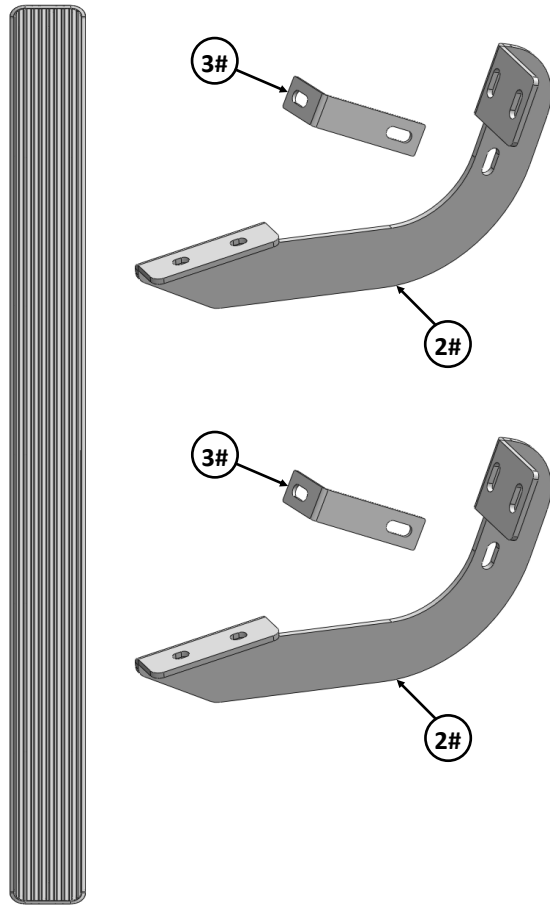
READ INSTRUCTIONS CAREFULLY BEFORE STARTING INSTALLATION. REMOVE CONTENTS FROM BOX AND VERIFY ALL PARTS ARE PRESENT. ASSISTANCE IS RECOMMENDED.

*ROCKER PANEL MOUNT
*NO DRILLING REQUIRED

Fastener Size	Tightening Torque (ft-lbs)	Required
6mm	6-7	X
8mm	16-18	√
10mm	31-32	X
12mm	56-58	X
14mm	92-94	X

PART LIST

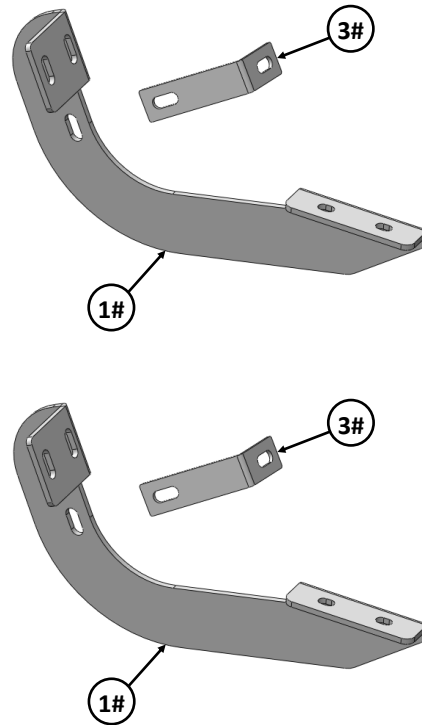
Driver Side Step Bar



Front



Passenger Side Step Bar




Customer Support: info@iboardauto.com




Mounting Bracket List					
Item	QTY	Description	Item	QTY	Description
1#	2	Passenger Front / Rear Mounting Brackets	3#	4	Support Brackets
2#	2	Driver Front / Rear Mounting Brackets			


Hardware Package A (For Bracket Installation)					
Item	QTY	Description	Item	QTY	Description
1#	16	M8X1.25-30mm Hex Bolts	3#	16	M8 Lock Washers
2#	20	M8 Large Flat Washers	4#	4	M8 Hex Nuts



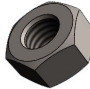
1#



2#

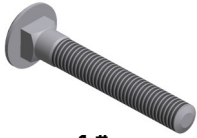


3#




4#


Hardware Package B (For Stainless Steel Step Bar Installation)					
Item	QTY	Description	Item	QTY	Description
1#	8	M8X1.25-35mm Carriage Bolts	3#	8	M8 Nylon Lock Nuts
2#	8	M8 Large Flat Washers	4#	4	Sliders (Packed with Step Bars)



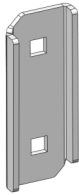
1#



2#



3#

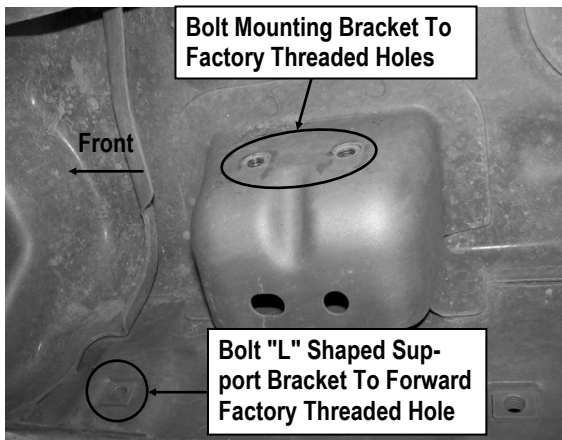


4#



STEP 1

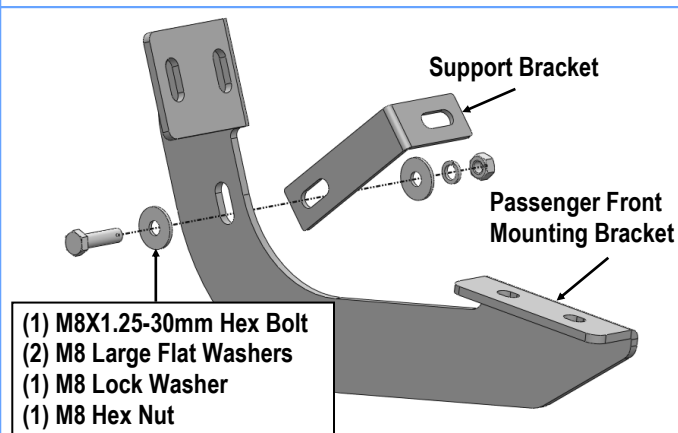
Start installation from the passenger side front of the vehicle. Locate the (2) factory threaded holes in the side of the body panel and the (2) lower threaded holes near the pinch weld, (Fig 1).



(Fig 1) Passenger Side Front Mounting Bracket Location

STEP 2

Select (1) Passenger Front Mounting Bracket and (1) Support Bracket. Assemble with (1) M8X1.25-30mm Hex Bolts, (2) M8 Large Flat Washers, (1) M8 Lock Washer and (1) M8 Hex Nut, (Fig 2). Do not fully tighten hardware at this time.



(Fig 2) Passenger Side Front Mounting Bracket Assembly

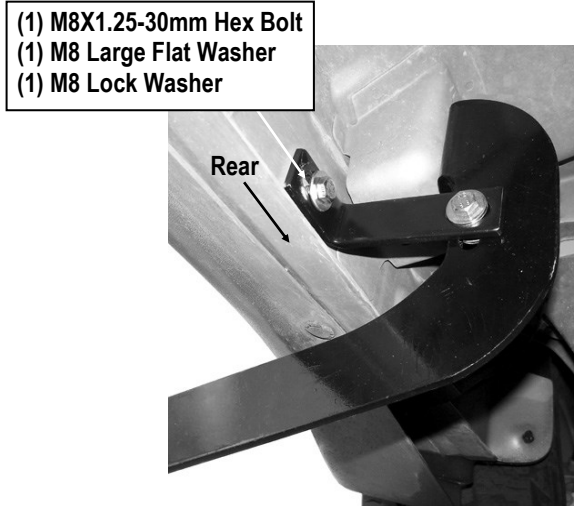
STEP 3

Attach the Passenger Front Mounting Bracket to the (2) upper threaded holes with (2) M8X1.25-30mm Hex Bolts, (2) M8 Large Flat Washers and (2) M8 Lock Washers, (Fig 3).

Attach the short end of the Support Bracket to the forward threaded hole near the pinch weld with (1) M8X1.25-30mm Hex Bolt, (1) M8 Large Flat Washer and (1) M8 Lock Washer, (Fig 3). Do not fully tighten hardware at this time.



(Fig 3) Passenger Side Front Mounting Bracket Installation
(Front View)



(Fig 4) Passenger Side Front Mounting Bracket Installation
(Rear View)



STEP 4

Move to the passenger side rear of the vehicle. Repeat **Steps 1-3** for the passenger side rear brackets assembly and installation.

Note: Passenger Front / Rear Mounting Bracket are universal.

STEP 5

Once all (2) Passenger side mounting brackets are installed, then proceed to the Step Bar installation. (**Figs 5 & 6**)

- (1) Select (1) Slider and (2) M8X1.25-35mm Carriage Bolts;
- (2) Install (2) M8X1.25-35mm Carriage Bolts in (1) Slider.
- (3) Slide the Slider (with carriage bolts) to the **Step Bar**.
- (4) Repeat to install the other (1) slider to the step bar.
- (5) Attach the Step Bar (with the Sliders) onto the installed

mounting brackets. Position the Sliders to the installed brackets. Secure the Step Bar to the installed Brackets by using (4) M8 Large Flat Washers and (4) M8 Nylon Lock Nuts and (2) Sliders, (**Fig 6**). Do not fully tighten hardware at this time.

Note: The Sliders are packed with the Step Bars.

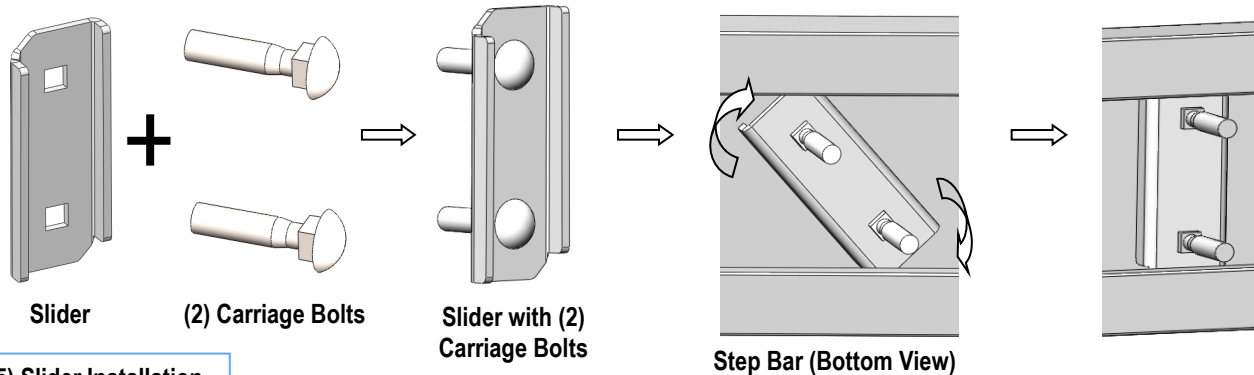
Level and adjust the Step Bar and fully tighten all hardware.

Repeat **Steps 1-5** for the other side Step Bar installation. **The installation is completed!!!**

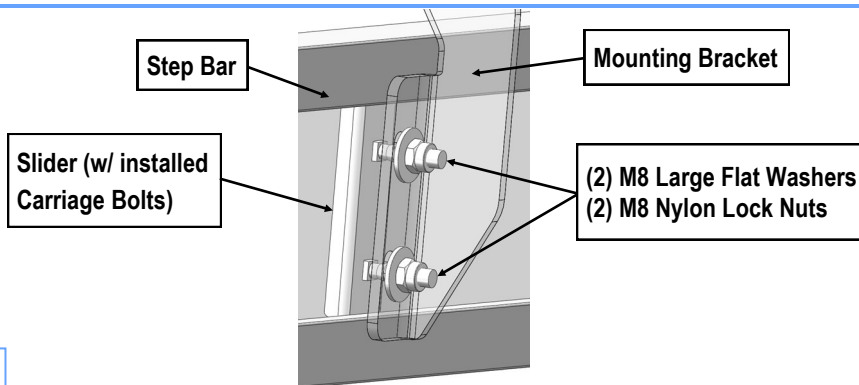
Attention

Do periodic inspections to the installation to make sure that all hardware is secure and tight.

In order to protect your bars/boards, please use mild soap/non-abrasive products for cleaning only.



(Fig 5) Slider Installation



(Fig 6) Step Bar Installation