



## iBoard® by APS

PART#: IB-022C&H

READ INSTRUCTIONS CAREFULLY BEFORE STARTING INSTALLATION. REMOVE CONTENTS FROM BOX AND VERIFY ALL PARTS ARE PRESENT. ASSISTANCE IS RECOMMENDED.

\*BODY PANEL MOUNT  
\*NO DRILLING REQUIRED

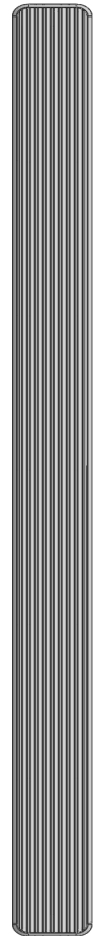
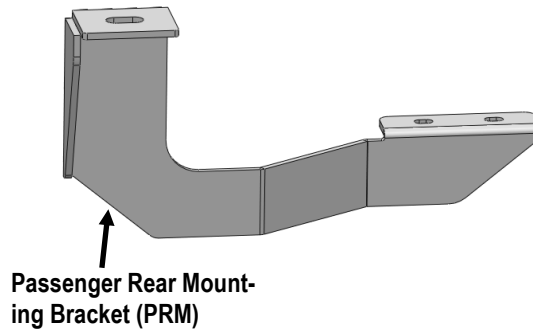
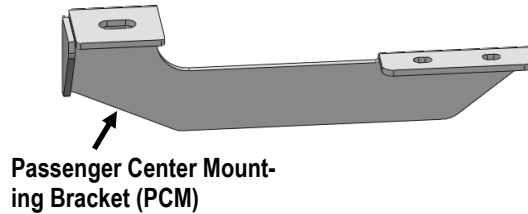
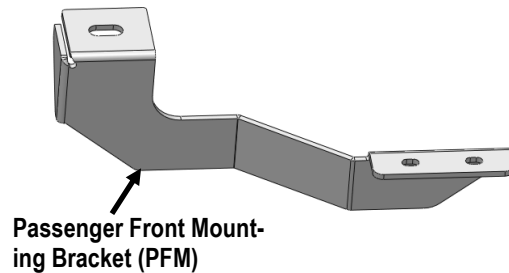
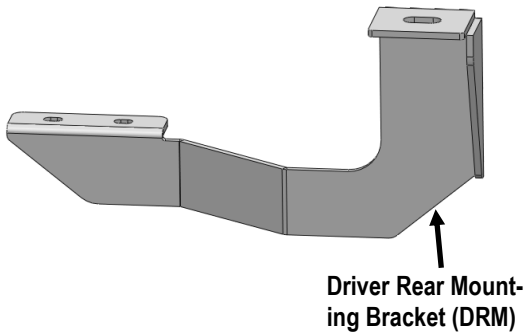
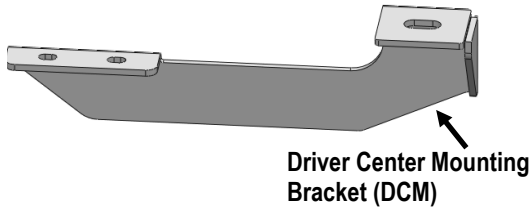
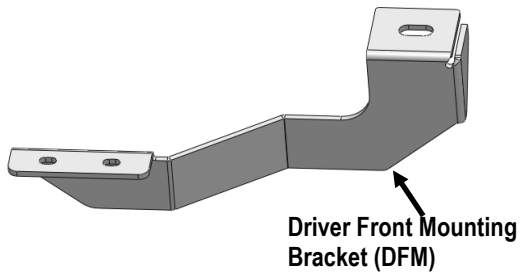
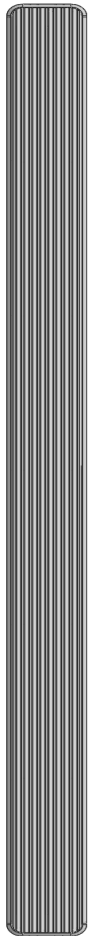
Fastener Size	Tightening Torque (ft-lbs)	Required
6mm	6-7	X
8mm	16-18	√
10mm	31-32	X
12mm	56-58	X
14mm	92-94	X

### PART LIST

#### Driver Side Step Bar

#### Front

#### Passenger Side Step Bar

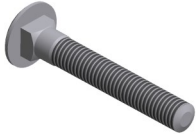




Scan for  
Installation Video

## Hardware Package (For Stainless Steel Step Bar Installation)

Item	QTY	Description	Item	QTY	Description
1#	12	M8X1.25-35mm Carriage Bolts	3#	12	M8 Nylon Lock Nuts
2#	12	M8 Large Flat Washers	4#	6	Sliders (Packed with Step Bars)



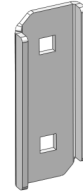
1 #



2 #



3 #

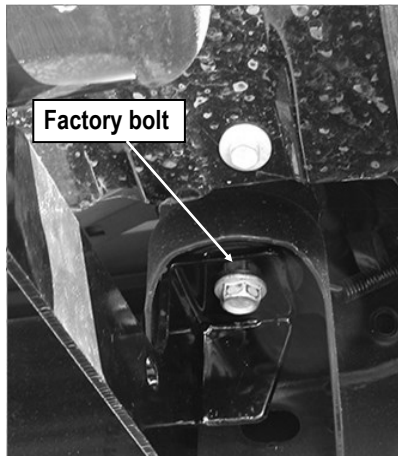


4 #

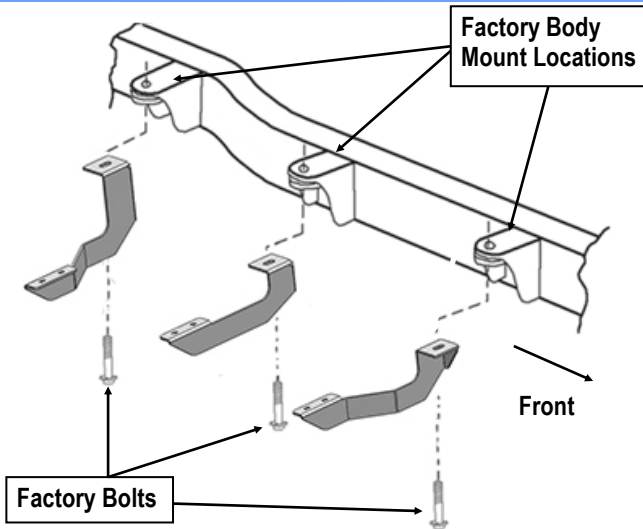


## STEP 1

Start the installation under the Passenger side of the vehicle. Remove the front body mount hex bolt, (Fig 1 & 2). Do not remove rubber bushings.



(Fig 1) Bracket Installed



(Fig 2) Brackets Installation

## STEP 2

Hang the Passenger Front Mounting Bracket (PFM) to the body mount using the long factory hex bolt, (Fig 1 & 2). Do not fully tighten hex bolt at this time.

## STEP 3

Repeat **Steps 1 & 2** for Passenger Center Mounting Bracket (PCM) and Passenger Rear Mounting Bracket (PRM) installation, (Fig 1 & 2).

## STEP 4

Once all (3) Passenger side mounting brackets are installed, then proceed to the Step Bar installation. (Figs 3 & 4)

- (1) Select (1) Slider and (2) M8X1.25-35mm Carriage Bolts;
- (2) Install (2) M8X1.25-35mm Carriage Bolts in (1) Slider.
- (3) Slide the Slider (with carriage bolts) to the **Step Bar**.
- (4) Repeat to install the other (1) slider to the step bar.
- (5) Attach the Step Bar (with the Sliders) onto the installed

mounting brackets. Position the Sliders to the installed brackets. Secure the Step Bar to the installed Brackets by using (6) M8 Large Flat Washers and (6) M8 Nylon Lock Nuts and (3) Sliders, (Fig 4). Do not fully tighten hardware at this time.

**Note:** The Sliders are packed with the Step Bars.

Level and adjust the Step Bar and fully tighten all hardware.

Repeat **Steps 1-4** for the other side Step Bar installation. **The installation is completed!!!**

### Attention

**Do periodic inspections to the installation to make sure that all hardware is secure and tight.**

**In order to protect your bars/boards, please use mild soap/non-abrasive products for cleaning only.**

