

iBoard®



Scan for
Installation Video

iBoard® by APS

PART#: IB-019&020C&H

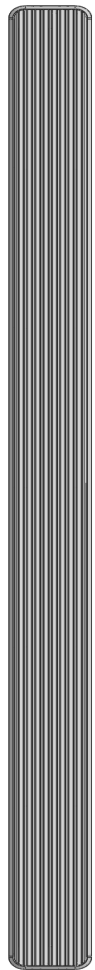
READ INSTRUCTIONS CAREFULLY BEFORE STARTING INSTALLATION. REMOVE CONTENTS FROM BOX AND VERIFY ALL PARTS ARE PRESENT. ASSISTANCE IS RECOMMENDED.

*BODY FRAME MOUNT
*NO DRILLING REQUIRED

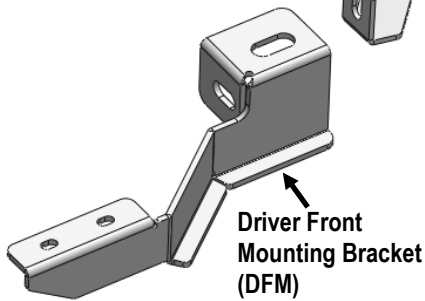
Fastener Size	Tightening Torque (ft-lbs)	Required
6mm	6-7	X
8mm	16-18	√
10mm	31-32	X
12mm	56-58	√
14mm	92-94	√

PART LIST

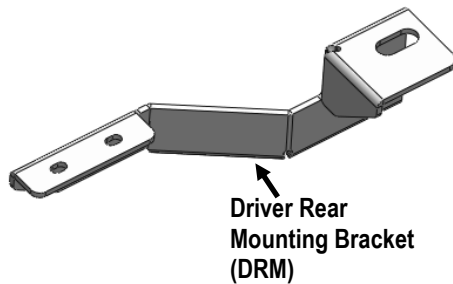
Driver Side Step Bar



Driver Front Support Bracket (DFS)



Driver Front Mounting Bracket (DFM)

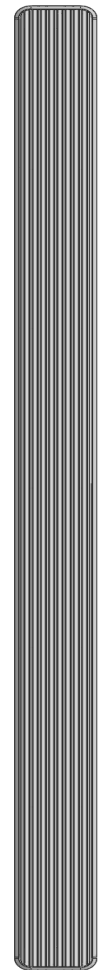


Driver Rear Mounting Bracket (DRM)

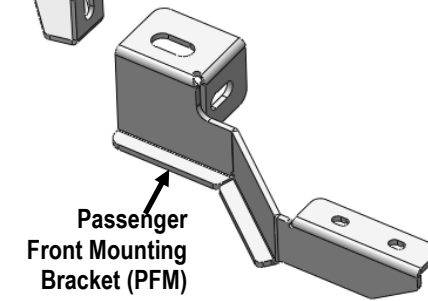
Front



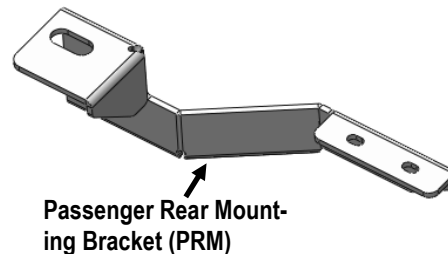
Passenger Side Step Bar



Passenger Front Support Bracket (PFS)



Passenger Front Mounting Bracket (PFM)




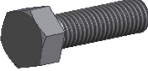



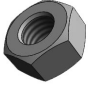
Passenger Rear Mounting Bracket (PRM)

Customer Support: info@iboardauto.com



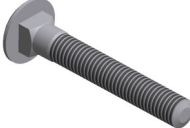


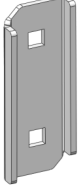
Hardware Package A (For Bracket Installation)

Item	QTY	Description	Item	QTY	Description
1#	2	M12X1.75-120mm Hex Bolts	4#	8	M12 Large Flat Washers
2#	2	M12X1.75-30mm Hex Bolts	5#	4	M12 Lock Washers
3#	4	M14 Large Flat Washers	6#	4	M12 Hex Nuts

					
1 #	2 #	3 #	4 #	5 #	6 #

Hardware Package B (For Stainless Steel Step Bar Installation)

Item	QTY	Description	Item	QTY	Description
1#	8	M8X1.25-35mm Carriage Bolts	3#	8	M8 Nylon Lock Nuts
2#	8	M8 Large Flat Washers	4#	4	Sliders (Packed with Step Bars)

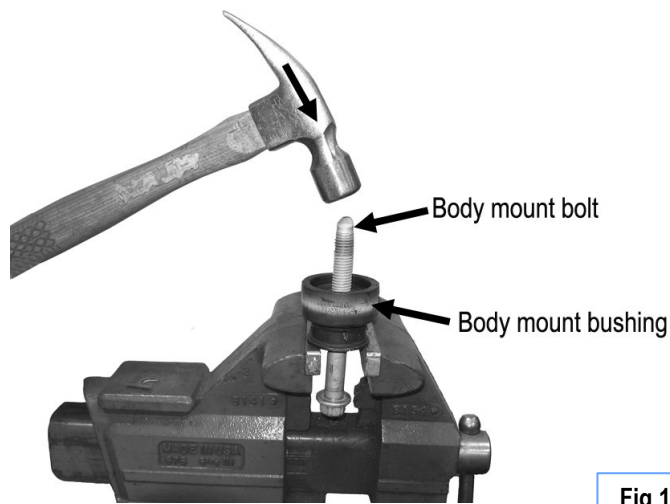
			
1 #	2 #	3 #	4 #



STEP 1

Start installation from the driver side front of the vehicle. Remove the factory front body mount bolt from the underside of the cab.

NOTE: Factory body mount bolts will need to be driven out of and back into the steel washer molded into the rubber bushing. Take precautions to avoid damage to the threads or the washer and bushing, (Fig 1).



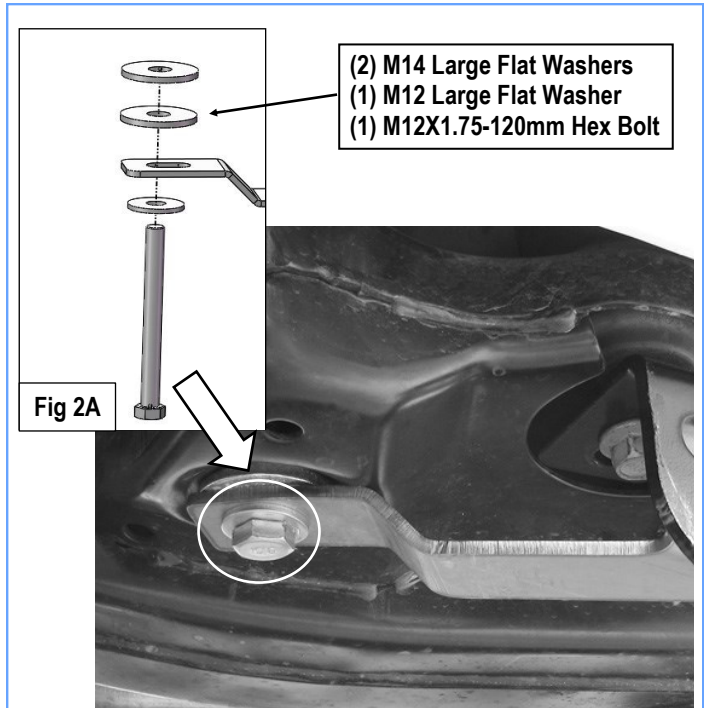
STEP 2

Locate the Driver Front Mounting Bracket (DFM) and bolt it to the vehicle using the factory body mount bolt. **NOTE:** Brackets mount over bushings. Do not fully tighten at this time.

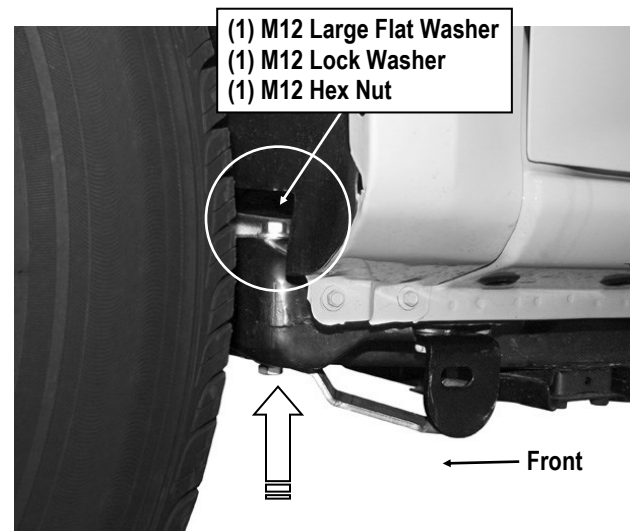
STEP 3

Select Driver Front Support Bracket (DFS) and insert (1) M12X1.75-120mm Hex Bolt with (1) M12 Large Flat Washer through the mounting slot. Place (2) M14 Large Flat Washers onto the M12 Hex Bolt between the Support Bracket and the factory body mount, (Fig 2A & 2B).

Insert the M12 Hex Bolt up through the holes in the factory body mount and secure with (1) M12 Large Flat Washer, (1) M12 Lock Washer and (1) M12 Hex Nut, (Fig 3). Do not fully tighten hardware at this time.



(Fig 2B) Driver Side Front Support Bracket Installation

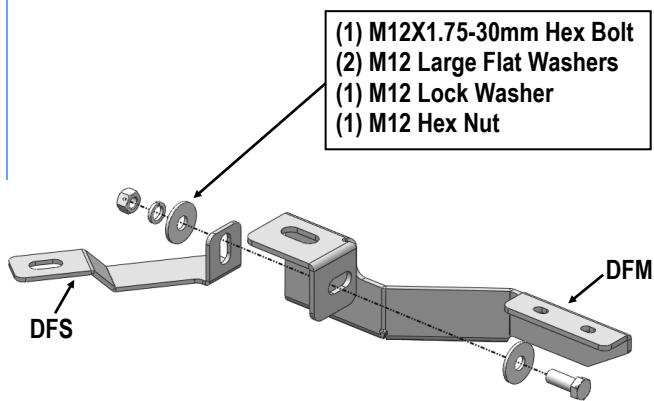


(Fig 3) Driver Side Front Support Bracket Installation



STEP 4

Line up the mounting hole in the Driver Front Support Bracket with the hole in the Driver Front Mounting Bracket, (**Fig 4**). Attach the Support Bracket to the Mounting Bracket use the included (1) M12X1.75-30mm Hex Bolt, (2) M12 Large Flat Washers, (1) M12 Lock Washers and (1) M12 Hex Nut, (**Fig 4**). Do not fully tighten hardware at this time.



(Fig 4) Driver Side Front Mounting Bracket Assembly

STEP 5

Move to the rear mounting location. Locate the driver side rear Mounting Bracket, repeat **Steps 1-2** for Driver Rear Mounting Bracket (**DRM**) installation. Do not fully tighten hardware at this time.

STEP 6

Once all (2) Driver side mounting brackets are installed, then proceed to the Step Bar installation. (**Figs 5 & 6**)

- (1) Select (1) Slider and (2) M8X1.25-35mm Carriage Bolts;
- (2) Install (2) M8X1.25-35mm Carriage Bolts in (1) Slider.
- (3) Slide the Slider (with carriage bolts) to the **Step Bar**.
- (4) Repeat to install the other (1) slider to the step bar.
- (5) Attach the Step Bar (with the Sliders) onto the installed mounting brackets. Position the Sliders to the installed brackets. Secure the Step Bar to the installed Brackets by using (4) M8 Large Flat Washers and (4) M8 Nylon Lock Nuts and (2) Sliders, (**Fig 6**). Do not fully tighten hardware at this time.

Note: The Sliders are packed with the Step Bars.

Level and adjust the Step Bar and fully tighten all hardware.

Repeat **Steps 1-6** for the other side Step Bar installation. **The installation is completed!!!**

Attention

Do periodic inspections to the installation to make sure that all hardware is secure and tight.

In order to protect your bars/boards, please use mild soap/non-abrasive products for cleaning only.

