



iBoard® by APS

PART#: IB-333C&H

READ INSTRUCTIONS CAREFULLY BEFORE STARTING INSTALLATION. REMOVE CONTENTS FROM BOX AND VERIFY ALL PARTS ARE PRESENT. ASSISTANCE IS RECOMMENDED.

*ROCKER PANEL MOUNT

*DRILLING / HOLE ENLARGE MAY BE REQUIRED

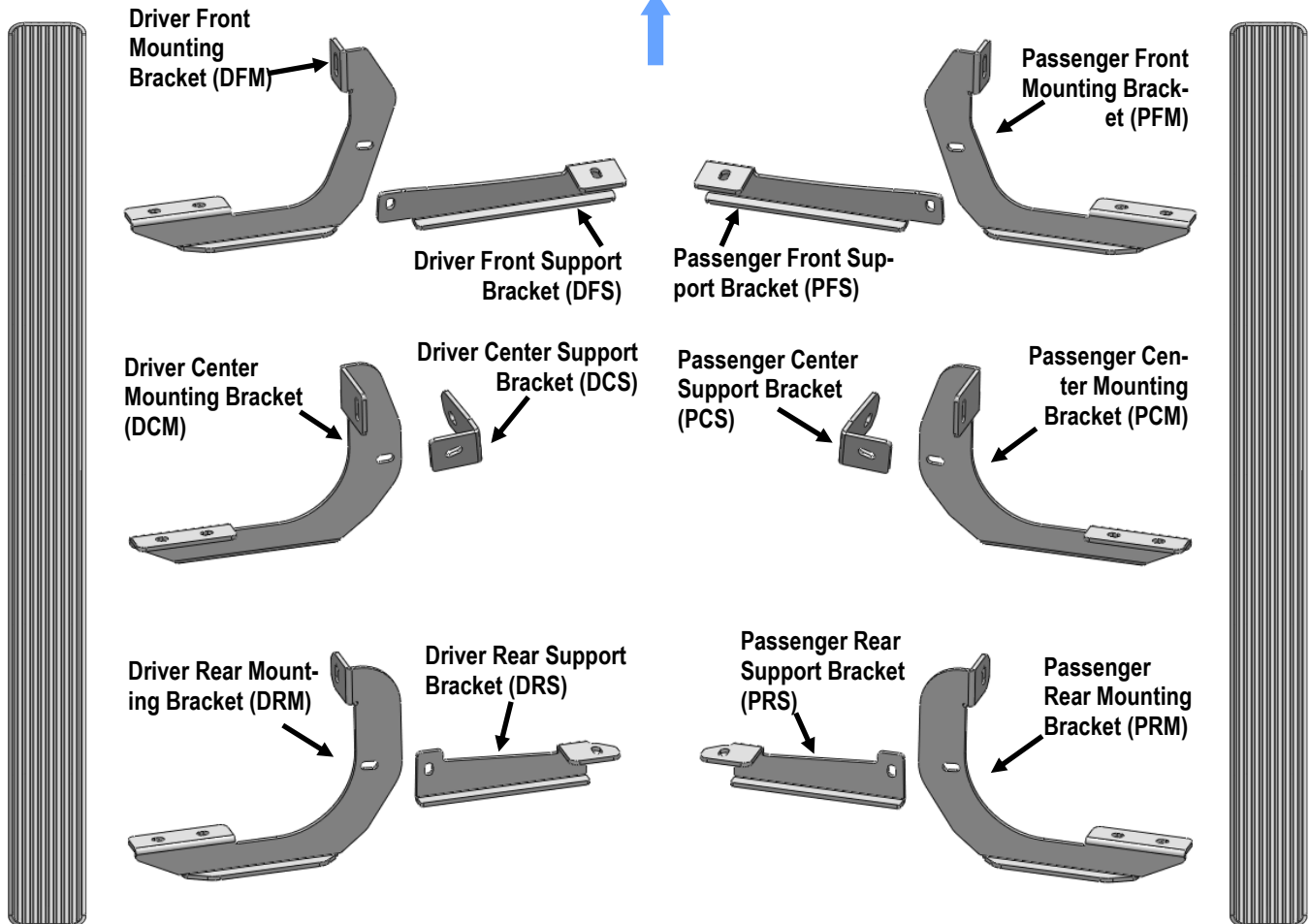
Fastener Size	Tightening Torque (ft-lbs)	Required
6mm	6-7	X
8mm	16-18	√
10mm	31-32	√
12mm	56-58	X
14mm	92-94	X

PART LIST

Driver Side Step Bar

Front

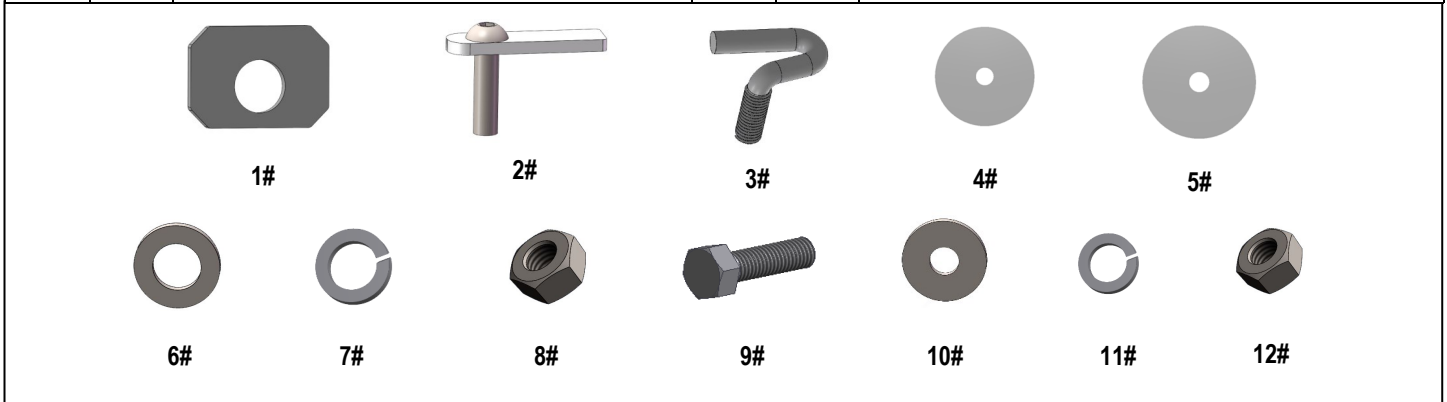
Passenger Side Step Bar





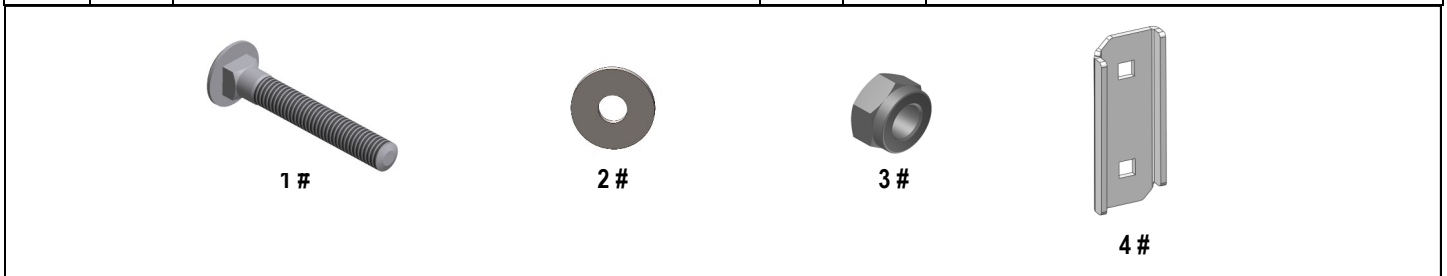
Hardware Package A (For Bracket Installation)

Item	QTY	Description	Item	QTY	Description
1#	2	2mm Spacers	7#	2	M10 Lock Washers
2#	10	M8 Bolt Plates	8#	2	M10 Hex Nuts
3#	2	M10 J-Bolts	9#	6	M8X1.25-30mm Hex Bolts
4#	10	M8 Plastic Washers	10#	22	M8 Large Flat Washers
5#	2	M10 Plastic Washers	11#	16	M8 Lock Washers
6#	2	M10 Flat Washers	12#	16	M8 Hex Nuts



Hardware Package B (For Stainless Steel Step Bar Installation)

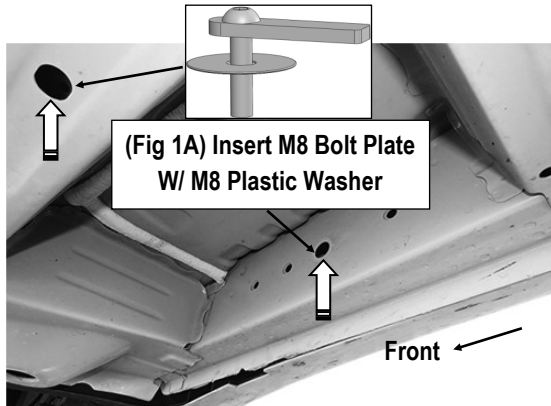
Item	QTY	Description	Item	QTY	Description
1#	12	M8X1.25-35mm Carriage Bolts	3#	12	M8 Nylon Lock Nuts
2#	12	M8 Large Flat Washers	4#	6	Sliders (Packed with Step Bars)





STEP 1

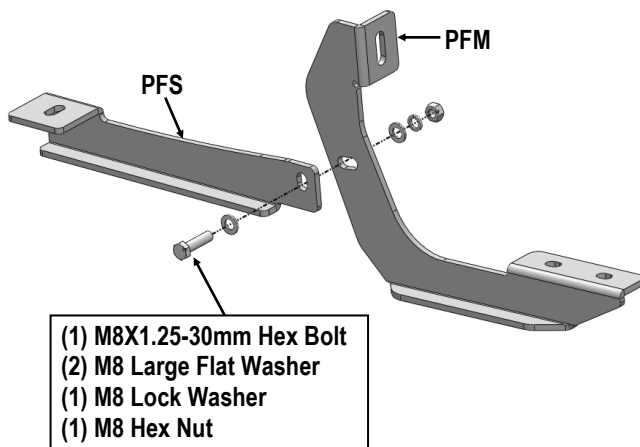
Start installation from the Passenger side front of the vehicle. Identify the mounting holes on body panel, **(Fig 1)**. Remove the rubber plugs from the mounting holes, if equipped.



(Fig 1) Passenger Side Front Mounting Location

STEP 2

Assemble Passenger Front Mounting Bracket (PFM) and Passenger Front Support Bracket (PFS) with (1) M8X1.25-30mm Hex Bolt, (2) M8 Large Flat Washers, (1) M8 Lock Washer and (1) M8 Hex Nut, **(Fig 2)**. Do not fully tighten hardware at this time.



(Fig 2) Passenger Front Mounting Bracket Assembly

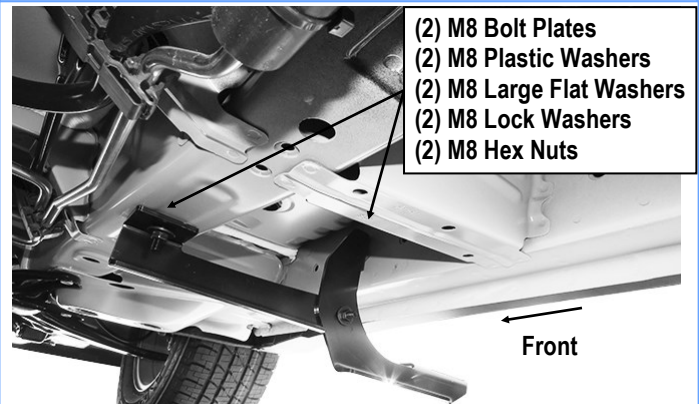
STEP 3

Select (2) M8 Bolt Plate. Thread (1) M8 Plastic Washer onto the each M8 Bolt Plate. Insert the M8 Bolt Plate into the front mounting location, **(Fig 1)**.

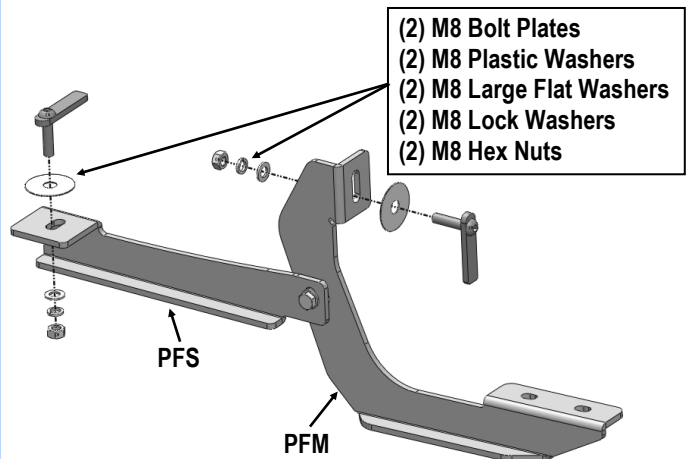
NOTE: The Plastic Washer is designed to keep the Bolt Plate from falling into the body panel during bracket installation.

STEP 4

Attach the assembled Passenger Side Front Brackets to the installed (2) M8 Bolt Plates with (2) M8 Large Flat Washers, (2) M8 Lock Washers and (2) M8 Hex Nuts, **(Figs 3 & 4)**. Do not fully tighten hardware at this time.



(Fig 3) Passenger Side Front Brackets Installed



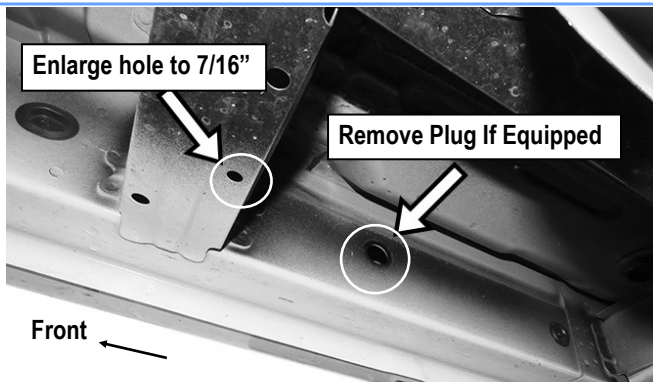
(Fig 4) Passenger Side Front Brackets Installation



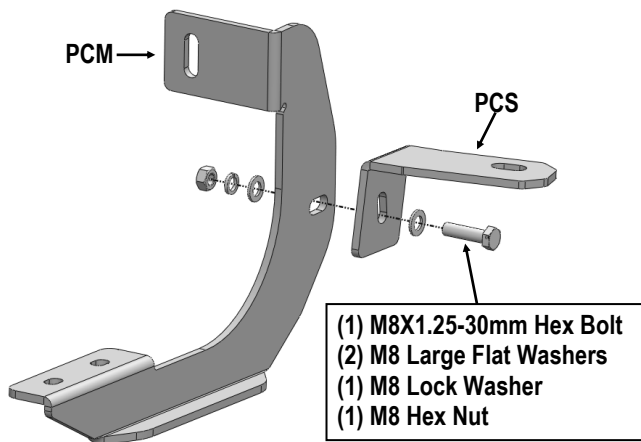
STEP 5

Move to the Passenger Side Center Mounting Location, (**Fig 5**). Remove the rubber plug from the mounting hole on inner body panel, if equipped.

Assemble Passenger Center Mounting Bracket (**PCM**) and Passenger Center Support Bracket (**PCS**) with (1) M8X1.25-30mm Hex Bolt, (2) M8 Large Flat Washers, (1) M8 Lock Washer and (1) M8 Hex Nut, (**Fig 6**). Do not fully tighten hardware at this time.



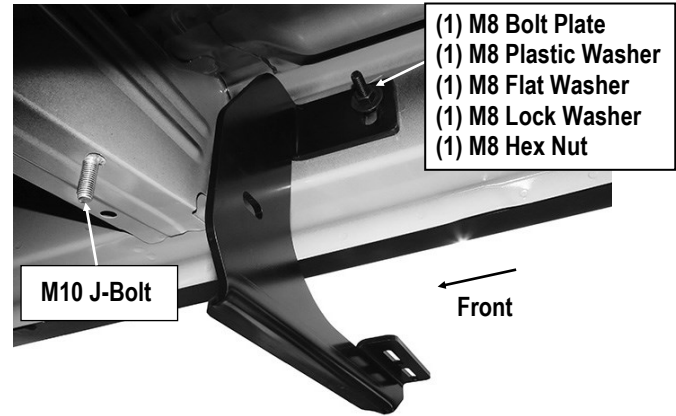
(Fig 5) Passenger Side Center Mounting Location



(Fig 6) Passenger Side Center Brackets Assembly

STEP 6

Insert (1) M8 Bolt Plate with (1) M8 Plastic Washer into the hole on the body panel. Repeat **Steps 3-4** to attach the Passenger Center Mounting Bracket to the installed M8 Bolt Plate, (**Figs 7 & 8**). Do not fully tighten hardware at this time.

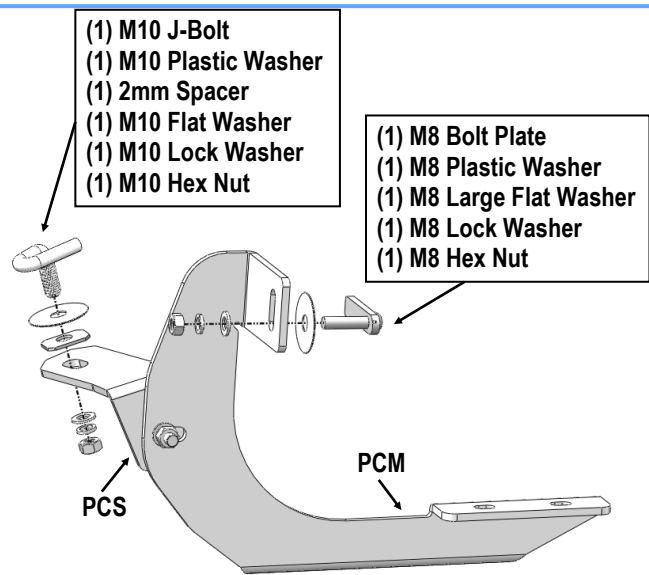


(Fig 7) Passenger Center Mounting Bracket Installed

STEP 7

Hold the Passenger Center Support Bracket (**PCS**) up in position to determine the mounting hole on the bottom of the body panel reinforcement. Insert (1) M10 J-Bolt into the mounting hole. If necessary, use a 7/16" drill bit (not included) to enlarge the hole, (**Fig 5**).

Select (1) M10 Plastic Washer. Thread the M10 Plastic Washer onto the M10 J-Bolt to hold it in place. Attach the Passenger Center Support Bracket (**PCS**) to the installed M10 J-Bolt with (1) 2mm Spacer, (1) M10 Flat Washer, (1) M10 Lock Washer and (1) M10 Hex Nut, (**Figs 8 & 9**). Do not fully tighten hardware at this time.



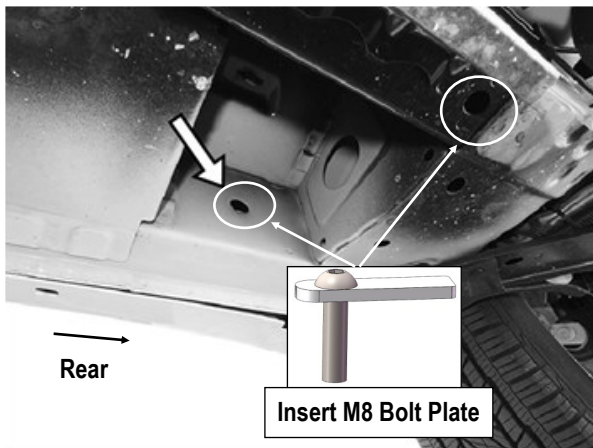
(Fig 8) Passenger Side Center Brackets Installation



(Fig 9) Passenger Side Center Brackets Installed

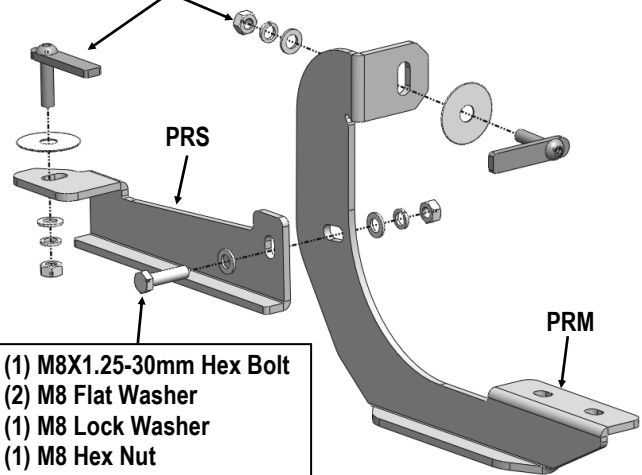
STEP 8

Move to the passenger side rear mounting location, (Fig 10). Repeat **Steps 1-4** to assemble and install the Passenger Rear Mounting Bracket (PRM) and Passenger Rear Support Bracket (PRS), (Fig 11). Do not fully tighten hardware at this time.



(Fig 10) Passenger Side Rear Brackets Mounting Location

- (2) M8 Bolt Plates
- (2) M8 Plastic Washers
- (2) M8 Flat Washers
- (2) M8 Lock Washers
- (2) M8 Hex Nuts



- (1) M8X1.25-30mm Hex Bolt
- (2) M8 Flat Washer
- (1) M8 Lock Washer
- (1) M8 Hex Nut

(Fig 11) Passenger Side Rear Brackets Installation

STEP 9

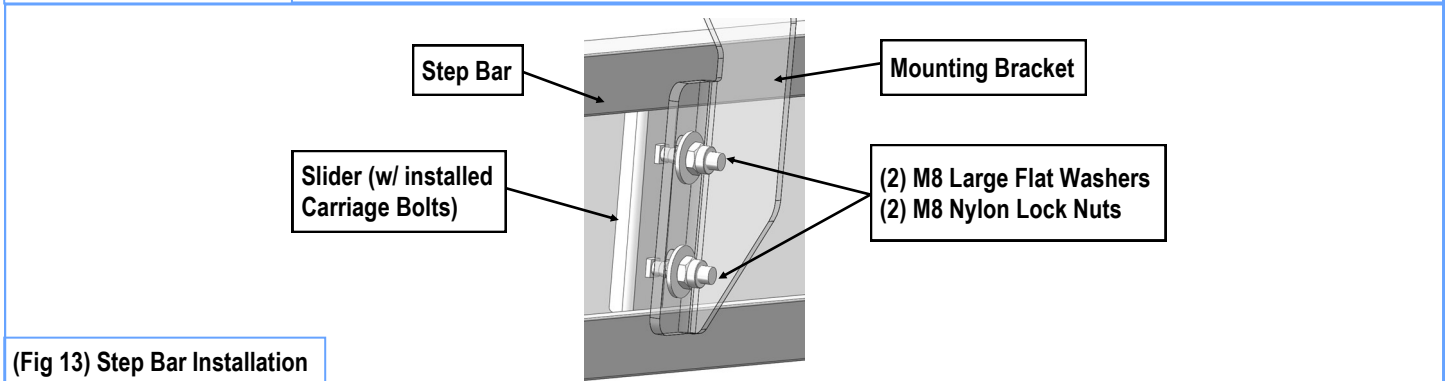
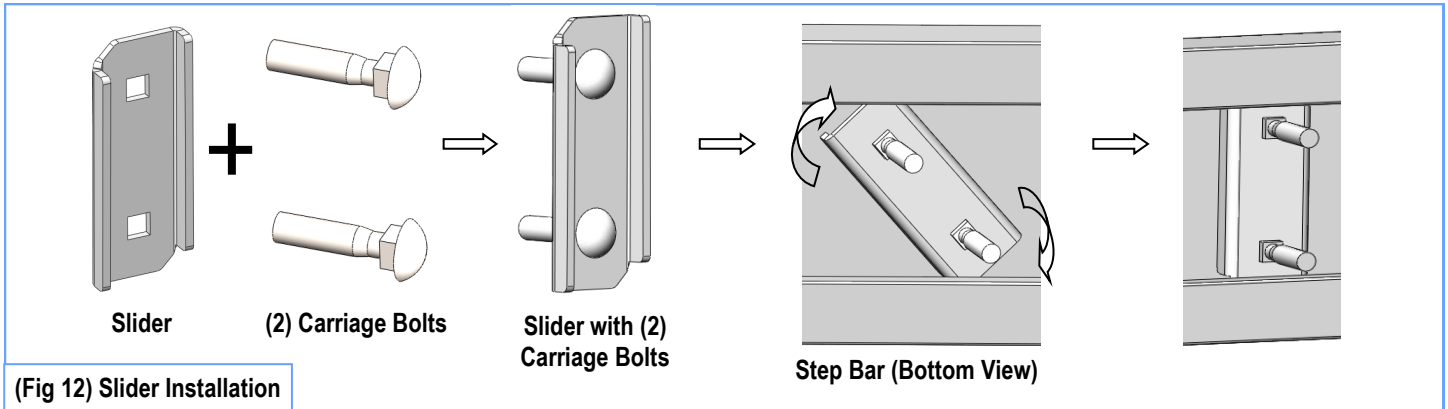
Once all (3) Passenger side mounting brackets are installed, then proceed to the Step Bar installation. (Figs 12 & 13)

- (1) Select (1) Slider and (2) M8X1.25-35mm Carriage Bolts;
- (2) Install (2) M8X1.25-35mm Carriage Bolts in (1) Slider.
- (3) Slide the Slider (with carriage bolts) to the **Step Bar**.
- (4) Repeat to install the other (2) sliders to the step bar.
- (5) Attach the Step Bar (with the Sliders) onto the installed mounting brackets. Position the Sliders to the installed brackets. Secure the Step Bar to the installed Brackets by using (6) M8 Large Flat Washers and (6) M8 Nylon Lock Nuts and (3) Sliders, (Fig 13). Do not fully tighten hardware.

Note: The Sliders are packed with the Step Bars.

Level and adjust the Step Bar and fully tighten all hardware.

Repeat **Steps 1-9** for the other side Step Bar installation. **The installation is completed!!!**



Attention

Do periodic inspections to the installation to make sure that all hardware is secure and tight.
In order to protect your bars/boards, please use mild soap/non-abrasive products for cleaning only.