



iBoard® by APS

PART#: IB-326C&H

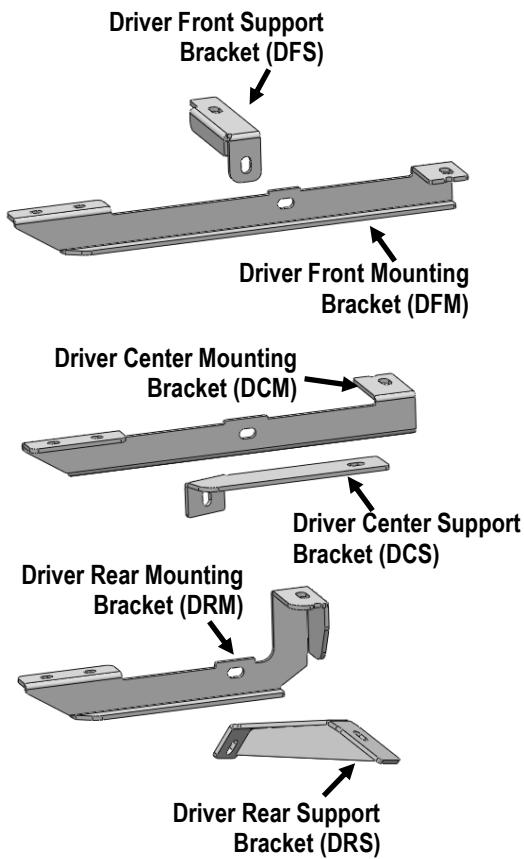
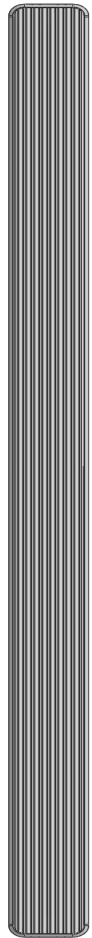
READ INSTRUCTIONS CAREFULLY BEFORE STARTING INSTALLATION. REMOVE CONTENTS FROM BOX AND VERIFY ALL PARTS ARE PRESENT. ASSISTANCE IS RECOMMENDED.

*ROCKER PANEL MOUNT
*NO DRILLING/CUTTING REQUIRED

Fastener Size	Tightening Torque (ft-lbs)	Required
6mm	6-7	X
8mm	16-18	√
10mm	31-32	√
12mm	56-58	X
14mm	92-94	X

PART LIST

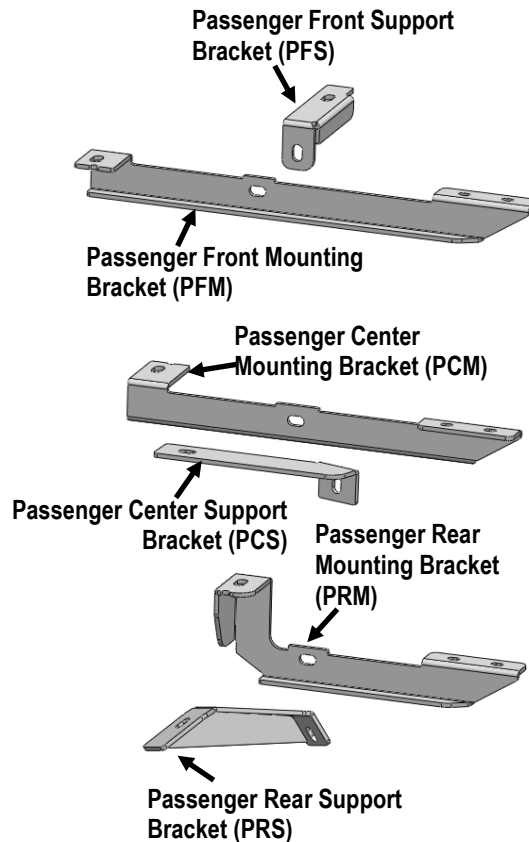
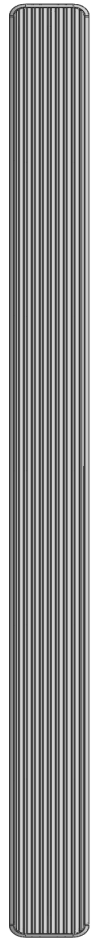
Driver Side Step Bar



Front



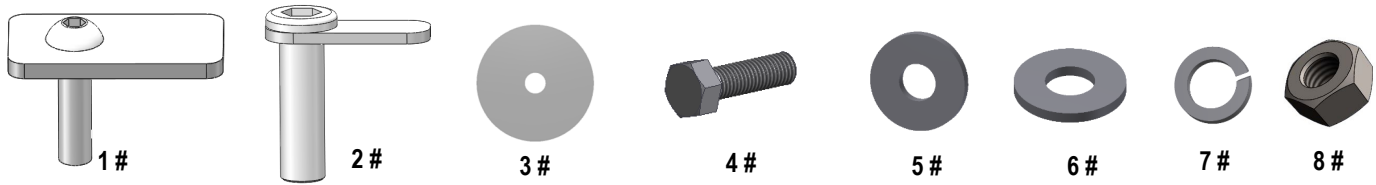
Passenger Side Step Bar





Hardware Package A (For Bracket Installation)

Item	QTY	Description	Item	QTY	Description
1#	6	M10X40 Bolt Plates	5#	12	M10 Large Flat Washers
2#	6	M10X35 Bolt Plates	6#	12	M10 Flat Washers
3#	12	M10 Plastic Washers	7#	18	M10 Lock Washers
4#	6	M10X1.5-30mm Hex Bolts	8#	18	M10X1.5 Hex Nuts



Hardware Package B (For Stainless Steel Step Bar Installation)

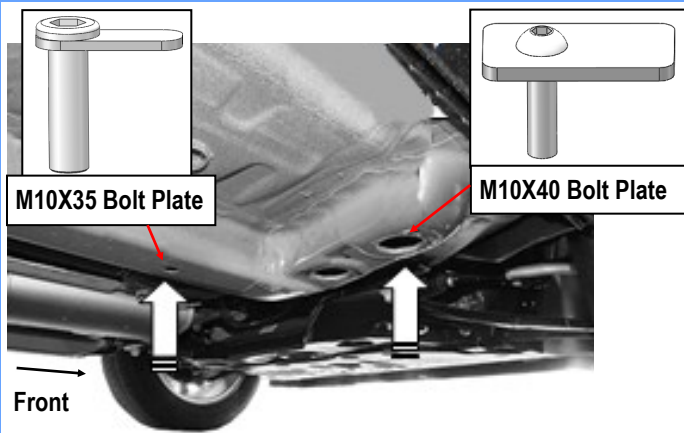
Item	QTY	Description	Item	QTY	Description
1#	12	M8X1.25-35mm Carriage Bolts	3#	12	M8 Nylon Lock Nuts
2#	12	M8 Large Flat Washers	4#	6	Sliders (Packed with Step Bars)





STEP 1

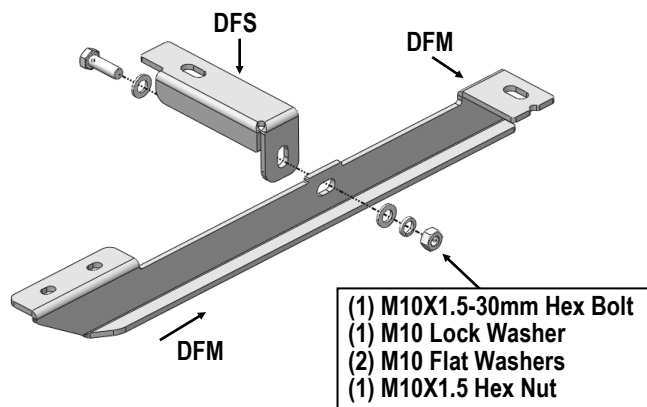
Start the installation from the Driver Side Front Mounting Location of the vehicle. Insert (1) M10X35 Bolt Plate into the small hole, insert (1) M10X40 Bolt Plate into the large hole as show on, **(Fig 1)**.



**(Fig 1) Insert The M10 Bolt Plates
(Driver Side Front Mounting Location)**

STEP 2

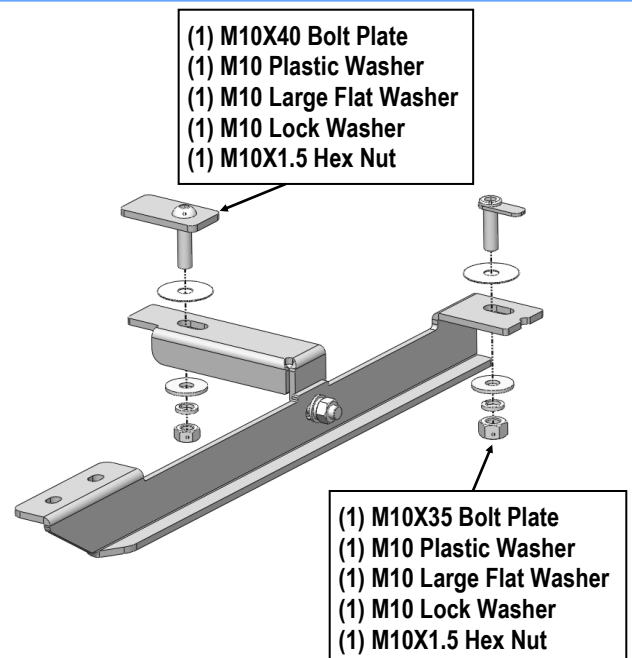
Assemble the Driver Front Mounting Bracket (**DFM**) and the Driver Front Support Bracket (**DFS**) with (1) M10X1.5-30mm Hex Bolt, (2) M10 Flat Washers, (1) M10 Lock Washer and (1) M10X1.5 Hex Nut, **(Fig 2)**. Do not fully tighten at this time.



(Fig 2) Driver Side Front Brackets Assembly

STEP 3

Attach the Driver Front Mounting Bracket (**DFM**) to the installed M10X35 Bolt Plates with (1) M10 Plastic Washers, (1) M10 Large Flat Washer, (1) M10 Lock Washer and (1) M10X1.5 Hex Nut; attach the Driver Front Support Bracket (**DFS**) to the installed M10X40 Bolt Plates with (1) M10 Plastic Washers, (1) M10 Large Flat Washer, (1) M10 Lock Washer and (1) M10X1.5 Hex Nut, **(Fig 3)**. Do not fully tighten at this time.

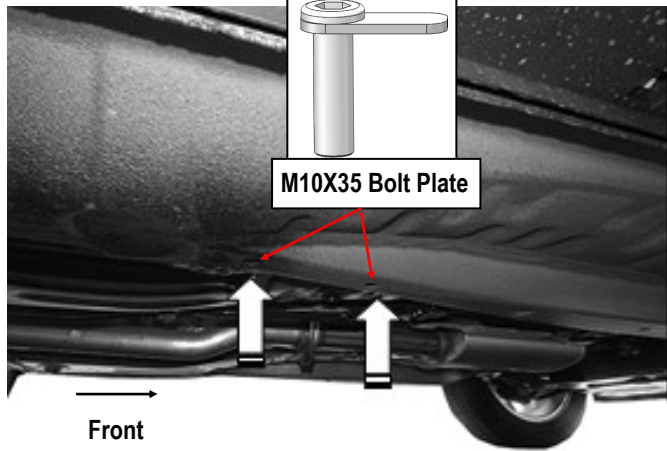


(Fig 3) Driver Side Front Brackets Installation

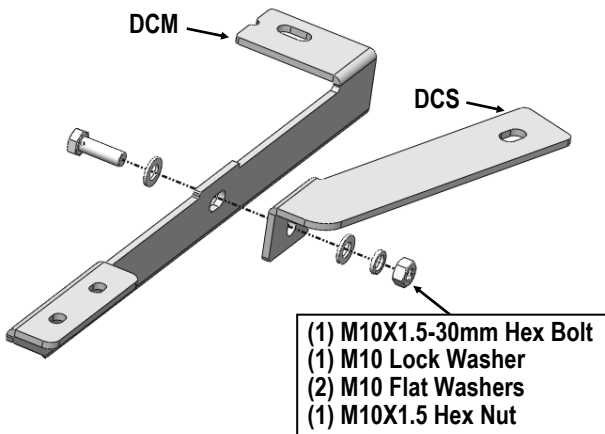
STEP 4

Move to the Driver Side Center Mounting Location, **(Fig 4)**. Repeat **Steps 1—3** to assemble and install the Driver Center Mounting Bracket (**DCM**) and Driver Center Support Bracket (**DCS**), **(Figs 5 & 6)**. Do not fully tighten at this time.

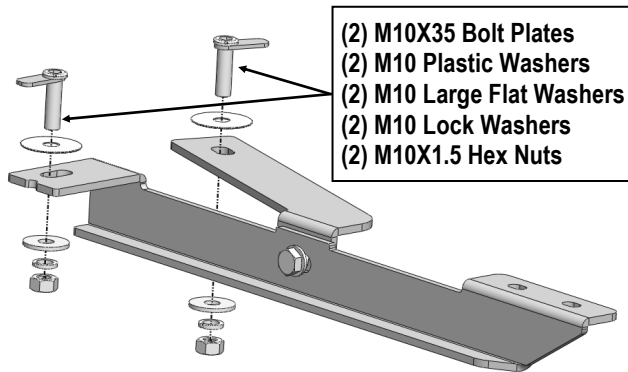
Note: Only use (2) M10X35 Bolt Plates for installation.



(Fig 4) Insert (2) M10X35 Bolt Plates
(Driver Side Center Mounting Location)



(Fig 5) Driver Side Center Brackets Assembly

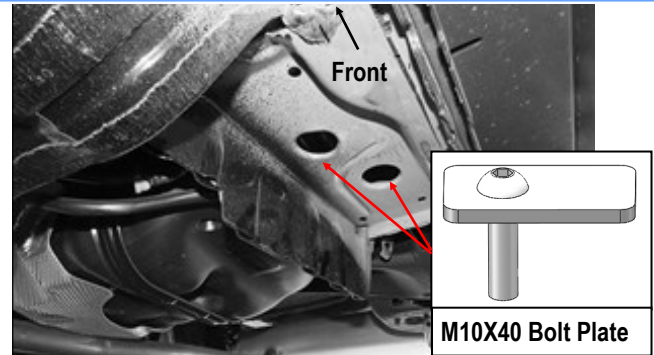


(Fig 6) Driver Side Center Brackets Installation

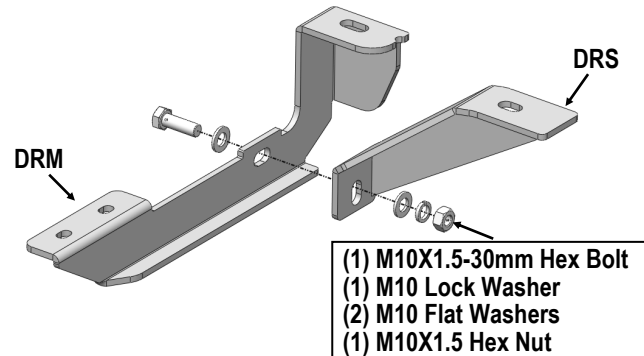
STEP 5

Move to the Driver Side Rear Mounting Location, (Fig 7). Repeat **Steps 1—3** to assemble and install the Driver Rear Mounting Bracket (DRM) and Driver Rear Support Bracket (DRS), (Figs 8 & 9). Do not fully tighten at this time.

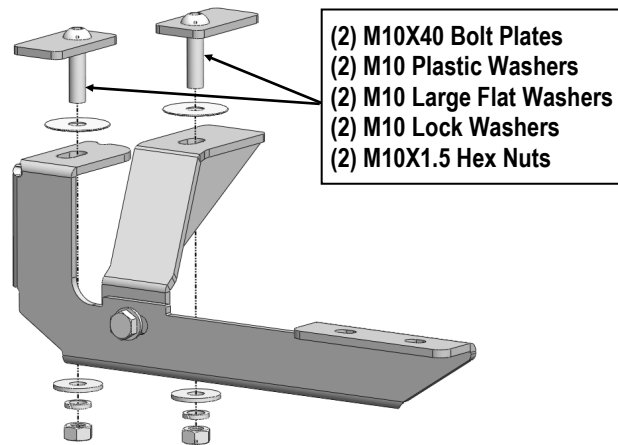
Note: Only use (2) M10X40 Bolt Plates for installation.



(Fig 7) Driver Side Rear Mounting Location



(Fig 8) Driver Side Rear Brackets Assembly



(Fig 9) Driver Side Rear Brackets Installation



STEP 6

Once all (3) Driver side mounting brackets are installed, then proceed to the Step Bar installation. (Figs 10 & 11)

- (1) Select (1) Slider and (2) M8X1.25-35mm Carriage Bolts;
- (2) Install (2) M8X1.25-35mm Carriage Bolts in (1) Slider.
- (3) Slide the Slider (with carriage bolts) to the **Step Bar**.
- (4) Repeat to install the other (2) sliders to the step bar.
- (5) Attach the Step Bar (with the Sliders) onto the installed mounting brackets. Position the Sliders to the installed brackets. Secure the Step Bar to the installed Brackets by using (6) M8 Large Flat Washers and (6) M8 Nylon Lock Nuts and (3) Sliders, (Fig 11). Do not fully tighten hardware at this time.

Note: The Sliders are packed with the Step Bars.

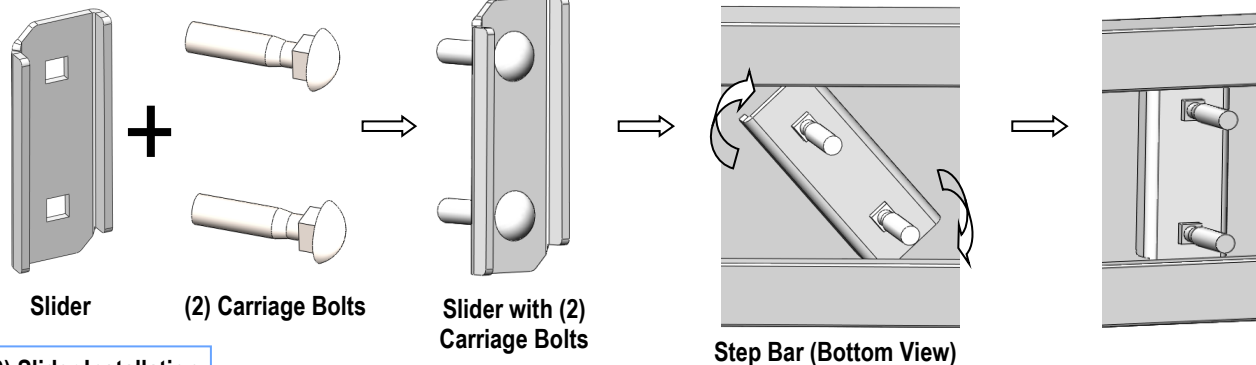
Level and adjust the Step Bar and fully tighten all hardware.

Repeat **Steps 1-6** for the other side Step Bar installation. **The installation is completed!!!**

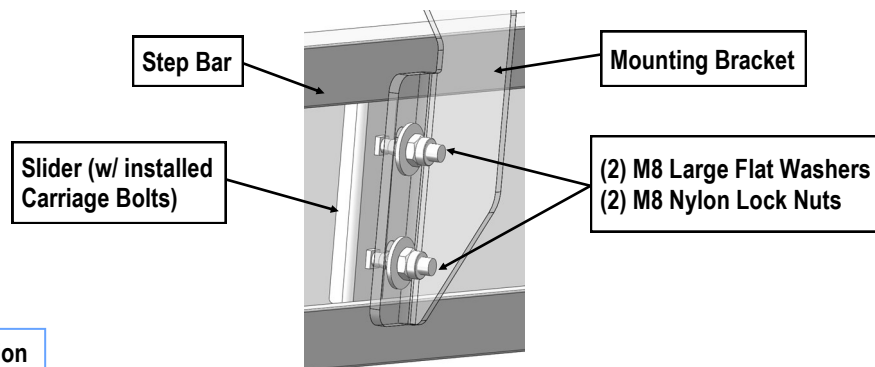
Attention

Do periodic inspections to the installation to make sure that all hardware is secure and tight.

In order to protect your bars/boards, please use mild soap/non-abrasive products for cleaning only.



(Fig 10) Slider Installation



(Fig 11) Step Bar Installation