

# iBoard®

## iBoard® by APS

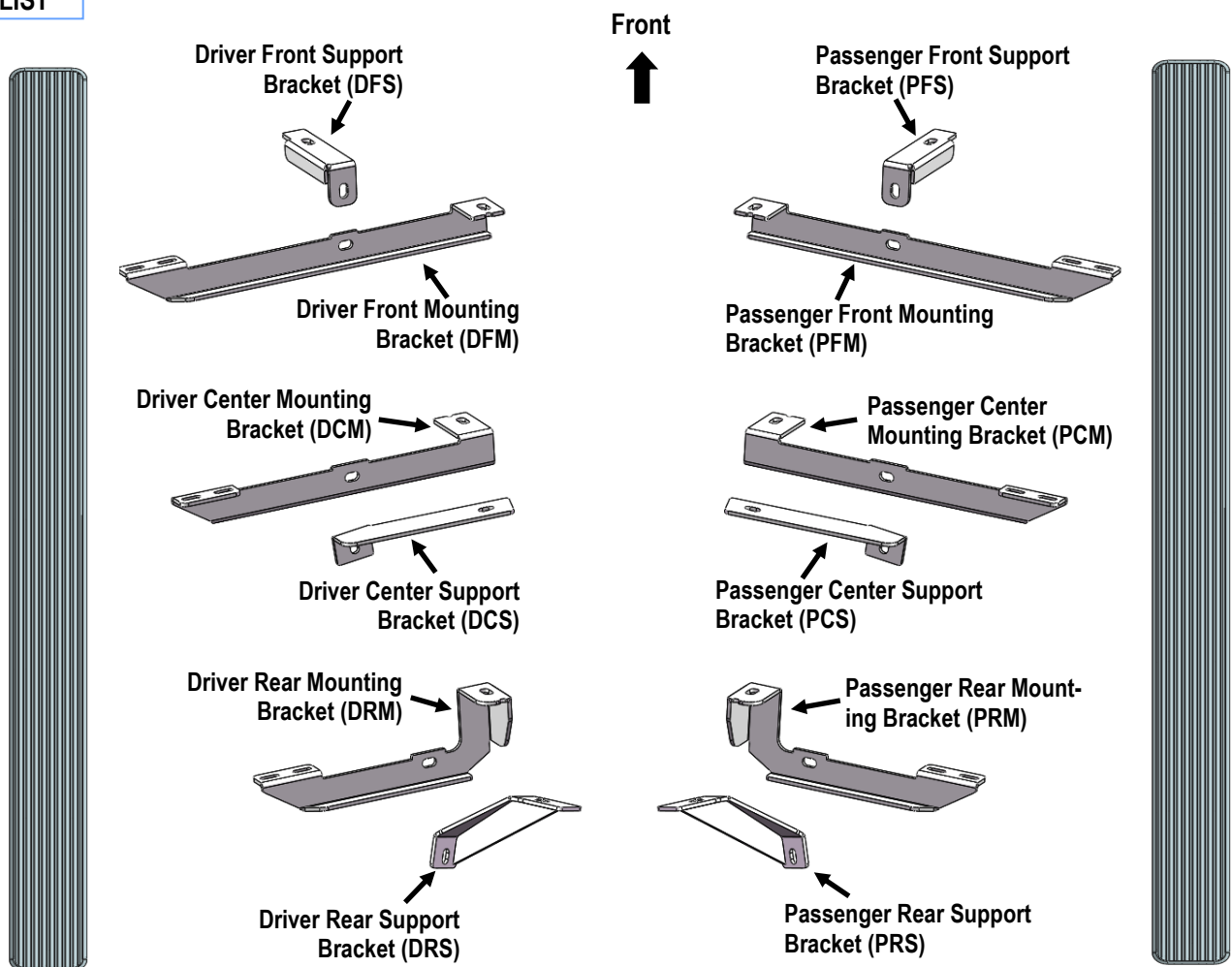
PART#: IB-326

READ INSTRUCTIONS CAREFULLY BEFORE STARTING INSTALLATION. REMOVE CONTENTS FROM BOX AND VERIFY ALL PARTS ARE PRESENT. ASSISTANCE IS RECOMMENDED.

\*ROCKER PANEL MOUNT  
\*NO DRILLING/CUTTING REQUIRED

Fastener Size	Tightening Torque (ft-lbs)	Required
6mm	6-7	√
8mm	16-18	X
10mm	31-32	√
12mm	56-58	X
14mm	92-94	X

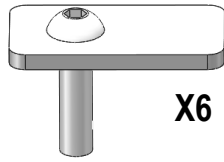
### PART LIST



Customer Support: [info@iboardauto.com](mailto:info@iboardauto.com)

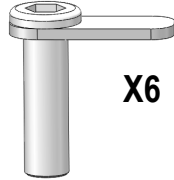
# iBoard®

## Hardware Package A (For Bracket Installation)



X6

M10X40 Bolt Plate



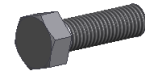
X6

M10X35 Bolt Plate



X12

M10 Plastic Washer



X6

M10X1.5-30mm Hex Bolt



X12

M10 Large Flat Washer



X12

M10 Flat Washer



X18

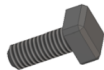
M10 Lock Washer



X18

M10X1.5 Hex Nut

## Hardware Package B (For Aluminum Step Bar Installation Only, Not Supply to Stainless Steel Step Bar)



X12

M6X1-20mm Square Head Bolt



X12

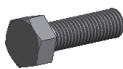
M6 Large Flat Washer



X12

M6X1 Nylon Lock Nut

## Hardware Package C (For Stainless Steel Step Bar Installation Only, Not Supply to Aluminum Step Bar)



X12

M6X1-20mm Hex Bolt



X12

M6 Lock Washer

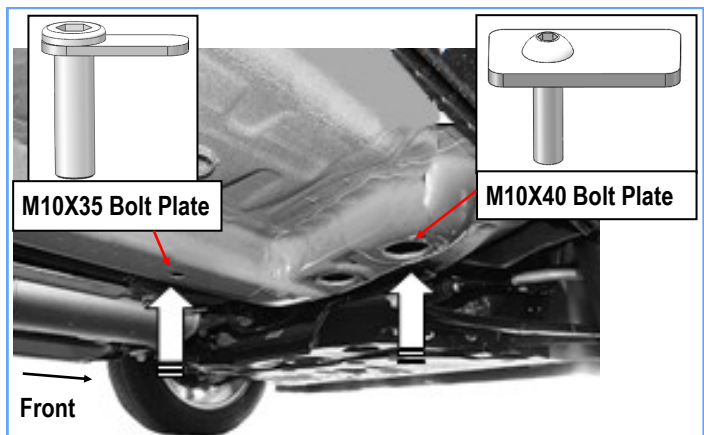


X12

M6 Flat Washer

## STEP 1

Start the installation from the Driver Side Front Mounting Location of the vehicle. Insert (1) M10X35 Bolt Plate into the small hole, insert (1) M10X40 Bolt Plate into the large hole as shown, (Fig 1).

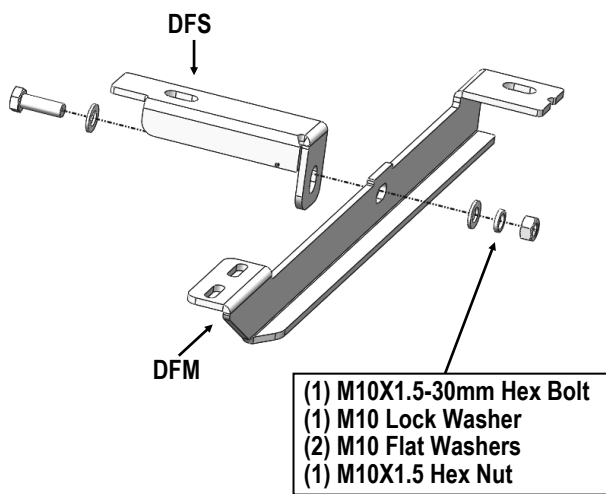


(Fig 1) Insert The M10 Bolt Plates  
(Driver Side Front Mounting Location)

# iBoard®

## STEP 2

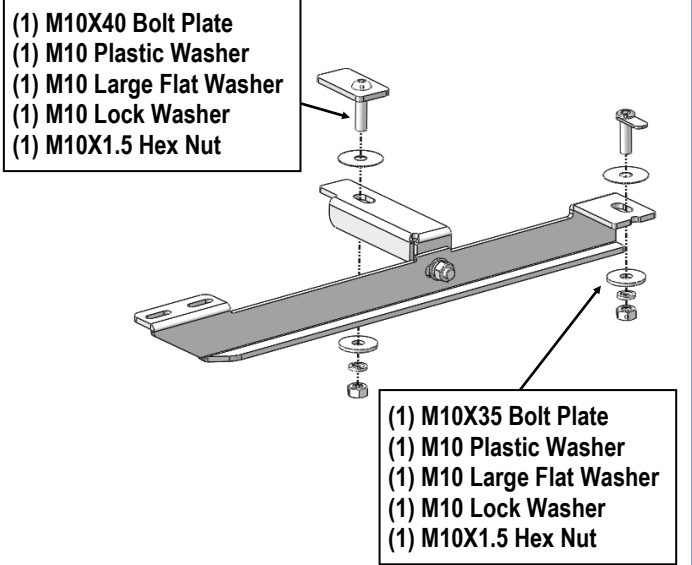
Assemble the Driver Front Mounting Bracket (**DFM**) and the Driver Front Support Bracket (**DFS**) with (1) M10X1.5-30mm Hex Bolt, (2) M10 Flat Washers, (1) M10 Lock Washer and (1) M10X1.5 Hex Nut, (**Fig 2**). Do not fully tighten at this time.



(Fig 2) Driver Side Front Brackets Assembly

## STEP 3

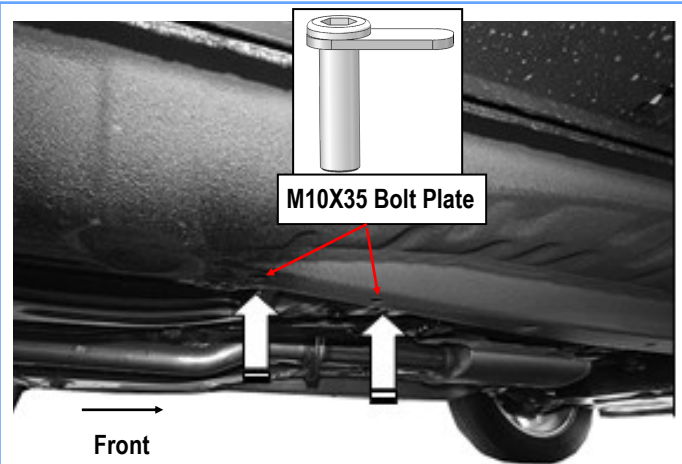
Attach the Driver Front Mounting Bracket (**DFM**) to the installed M10X35 Bolt Plates with (1) M10 Plastic Washers, (1) M10 Large Flat Washer, (1) M10 Lock Washer and (1) M10X1.5 Hex Nut; attach the Driver Front Support Bracket (**DFS**) to the installed M10X40 Bolt Plates with (1) M10 Plastic Washers, (1) M10 Large Flat Washer, (1) M10 Lock Washer and (1) M10X1.5 Hex Nut, (**Fig 3**). Do not fully tighten at this time.



(Fig 3) Driver Side Front Brackets Installation

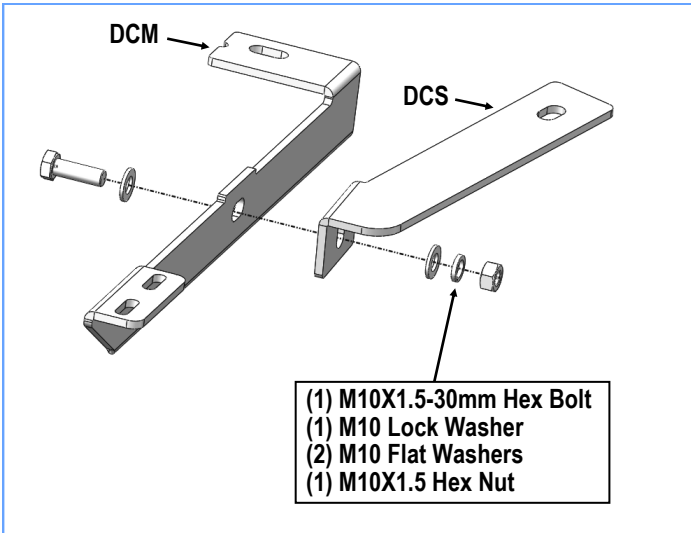
## STEP 4

Move to the Driver Side Center Mounting Location, (**Fig 4**). Repeat **Steps 1—3** to assemble and install the Driver Center Mounting Bracket (**DCM**) and Driver Center Support Bracket (**DCS**), (**Figs 5 & 6**). Do not fully tighten at this time.  
**Note:** Only use (2) M10X35 Bolt Plates for installation.

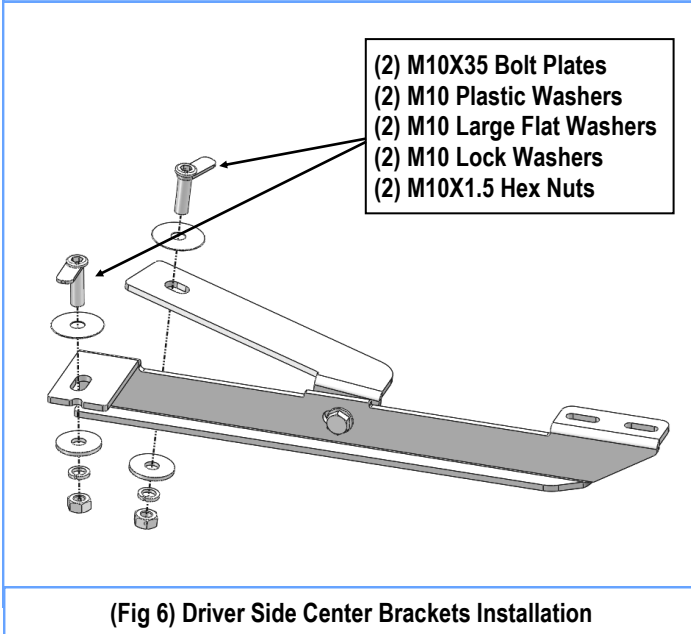


(Fig 4) Insert (2) M10X35 Bolt Plates (Driver Side Center Mounting Location)

# iBoard®



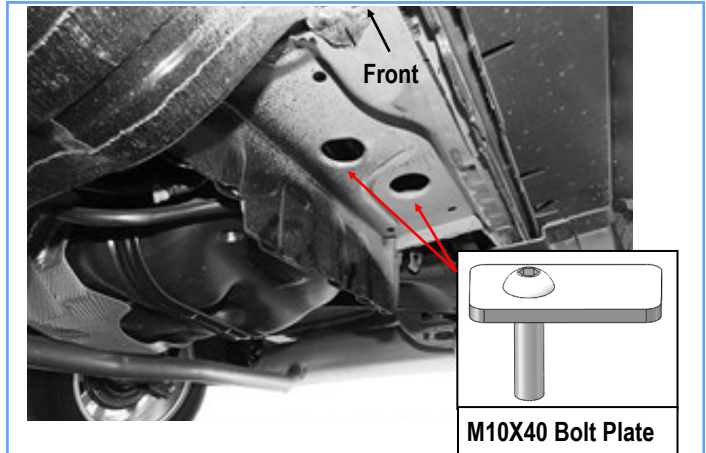
(Fig 5) Driver Side Center Brackets Assembly



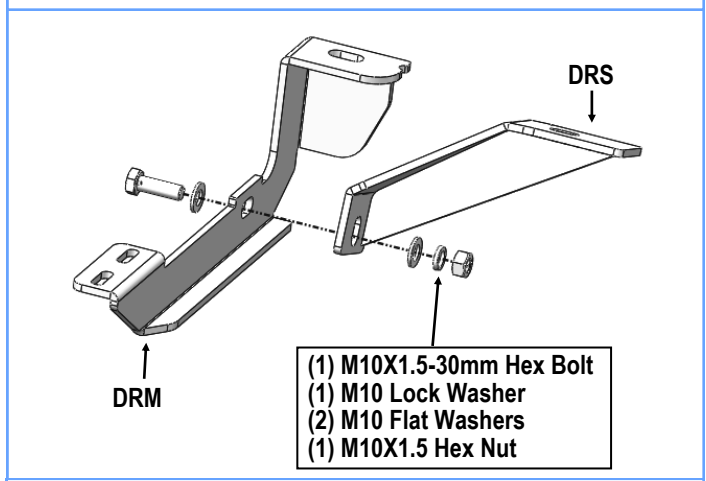
(Fig 6) Driver Side Center Brackets Installation

## STEP 5

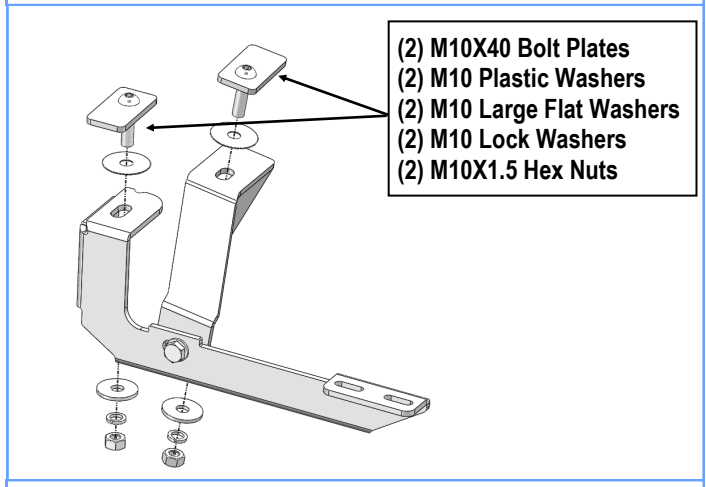
Move to the Driver Side Rear Mounting Location, (Fig 7). Repeat **Steps 1—3** to assemble and install the Driver Rear Mounting Bracket (DRM) and Driver Rear Support Bracket (DRS), (Figs 8 & 9). Do not fully tighten at this time.  
**Note:** Only use (2) M10X40 Bolt Plates for installation.



(Fig 7) Insert (2) M10X40 Bolt Plates  
(Driver Side Rear Mounting Location)



(Fig 8) Driver Side Rear Brackets Assembly



(Fig 9) Driver Side Rear Brackets Installation

# iBoard®

## STEP 6

Once all (3) mounting brackets are installed, then proceed to the Step Bar installation. According to the style of Step Bar proceed to the correct installation STEPS.

**Note:** Aluminum Step Bar refer to STEP 7; Stainless Steel Step Bar skip to STEP 8.

## STEP 7

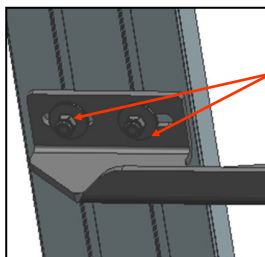
### Aluminum Step Bar Installation:

Select a **Aluminum Step Bar**. Slip (3) M6x1-20mm Square Head Bolts into each bottom channel (Fig 10). Carefully position the Step Bar onto the (3) Mounting Brackets.

**IMPORTANT:** Do not slide the Step Bar on the Brackets or the bottom surface of the board will be damaged. Attach the Step Bar to each Mounting Brackets with (2) M6x1-20mm Square Head Bolts, (2) M6 Large Flat Washers and (2) M6X1 Nylon Lock Nuts, (Fig 11). Do not fully tighten at this time. Level and adjust the Step Bar and fully tighten all hardware. Repeat **Steps 1-7** for the other side Step Bar installation. **The installation is completed!!!**



(Fig 10) Slip M6X1-20mm Square Head Bolts Into The Bottom Channels



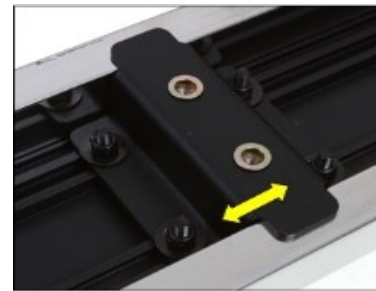
(2) M6X1-20mm Square Head Bolts  
(2) M6 Large Flat Washers  
(2) M6X1 Nylon Lock Nuts  
**IMPORTANT: TORQUE FOR 6MM FASTNERS MUST LESS THAN 6-7 FT-LBS OR THE FASTNERS WILL BE DAMAGED!**

(Fig 11) Running Board Installed Onto Mounting Bracket

## STEP 8

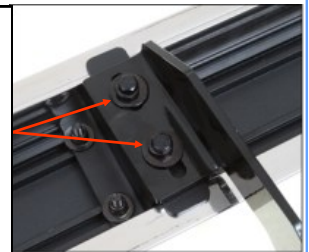
### Stainless Steel Step Bar Installation:

Select a **Stainless Steel Step Bar** (with the U-Sliders installed on the Bar). Loose the U-Sliders, reposition the U-Sliders onto the board according to the (3) Installed Mounting Brackets location, (Fig 12). Re-secure the U-Sliders on the Step Bar. Attach the Step Bar to the installed Mounting Brackets with (6) M6X1-20mm Hex Bolts, (6) M6 Large Flat Washers & (6) M6 Lock Washers, (Fig 13). Do not fully tighten hardware at this time. Level and adjust the Step Bar and fully tighten all hardware. Repeat **Steps 1-6 and 8** for the other side Step Bar installation. **The installation is completed!!!**



(Fig 12) Slide & line up the U-Slider with the installed mounting brackets along bottom channel

(2) M6X1-20mm Hex Bolts  
(2) M6 Large Flat Washers  
(2) M6 Lock Washers  
**IMPORTANT: TORQUE FOR 6MM FASTNERS MUST LESS THAN 6-7 FT-LBS OR THE FASTNERS WILL BE DAMAGED!**



(Fig 13) Step Bar Installed on Bracket Installed (Example)

### Attention

Do periodic inspections to the installation to make sure that all hardware is secure and tight.

In order to protect your bars/boards, please use only mild soap/non-abrasive products for cleaning.