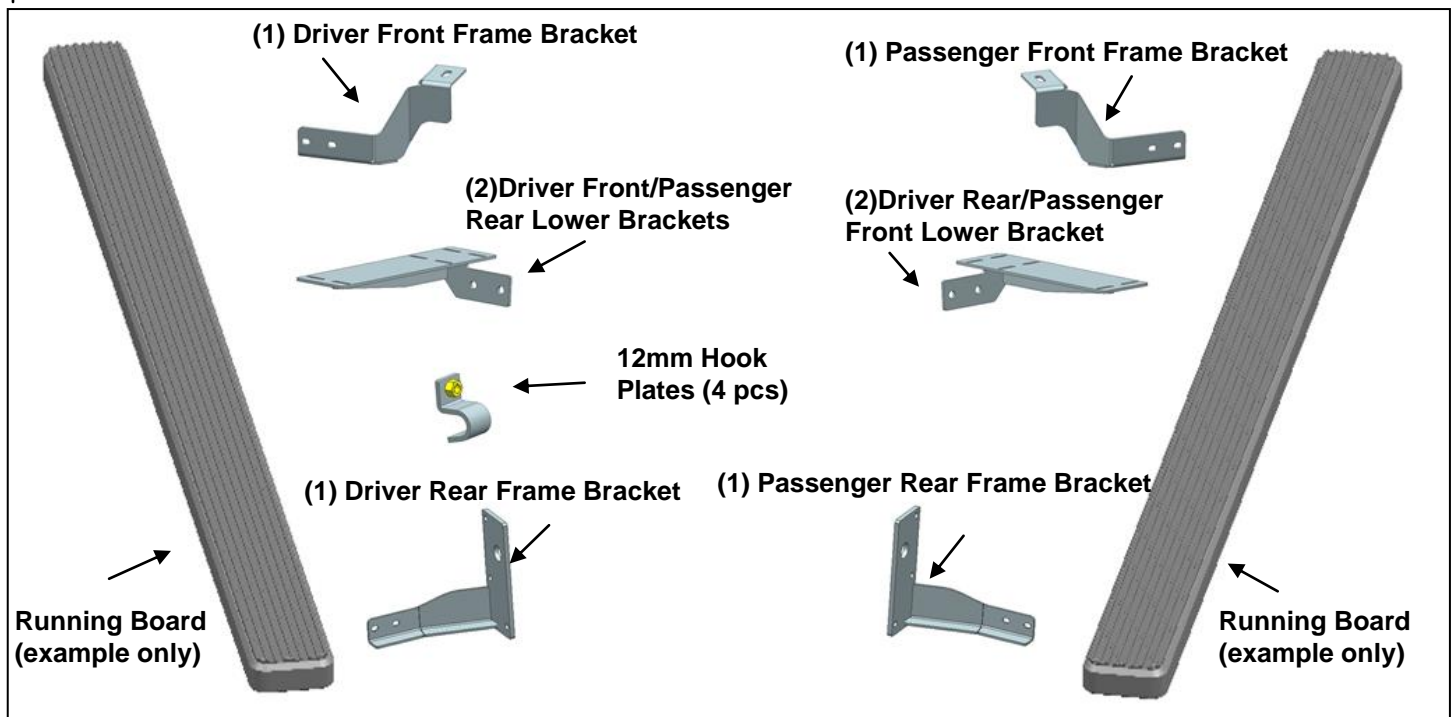


PARTS LIST:

| Item | QTY | Description | Item | QTY | Description |
|------|-----|--|------|-----|----------------------------------|
| #1 | 2 | Running Board(use for left or right) | #11 | 6 | 12mm Lock Washers |
| #2 | 1 | Driver Front Frame Bracket | #12 | 4 | 12mm x24mm x 2.5mm Flat Washers |
| #3 | 1 | Passenger Front Frame Bracket | #13 | 2 | 12mm x 37mm x 3mm Flat Washers |
| #4 | 1 | Driver Rear Frame Bracket | #14 | 8 | 10-1.50mm x 35mm Hex Head Bolts |
| #5 | 1 | Passenger Rear Frame Bracket | #15 | 8 | 10mm Lock Washers |
| #6 | 2 | Driver Front/Passenger Rear Lower Brackets | #16 | 16 | 10mm x 30mm x 2.5mm Flat Washers |
| #7 | 2 | Driver Rear/Passenger Front Lower Brackets | #17 | 8 | 10mm Hex Nuts |
| #8 | 4 | 12mm Hook Plates | #18 | 24 | 6-1.0mm x 20mm T-Bolts |
| #9 | 4 | 12-1.75mm x 45mm Hex Head Bolts | #19 | 24 | 6mm x 22mm OD x 2mm Flat Washers |
| #10 | 2 | 12-1.75mm x 120mm Hex Head Bolts | #20 | 24 | 6mm Lock Nuts |

↑ **Front**



PROCEDURE:

REMOVE CONTENTS FROM BOX. VERIFY ALL PARTS ARE PRESENT. READ INSTALLATION INSTRUCTIONS CAREFULLY BEFORE STARTING INSTALLATION. DRILLING IS REQUIRED.

1. Starting on the driver side of the vehicle, locate and remove the factory front body mount bolt.
2. Select the driver/left front Bracket. Attach the Bracket to the body mount with the included (1) 12mm x 120mm Hex Bolt, (1) 12mm Lock Washer and (1) 12mm x 37mm Large Flat Washer, **(Figure 1)**. Do not fully tighten hardware at this time. **NOTE:** Front brackets (only) can be swapped passenger side to driver side if necessary to clear the emergency brake cable.
3. Select the driver front lower bracket and bolt to the frame bracket with the include(2)10x35mm Hex bolts,(4)10mm flat washers,(2)10mm lock washers and (2)10mm Hex Nuts.**(Figure 2)**
4. Move along the side of the vehicle to the rear mounting location at the front of the leaf spring mount. Select (1) 12mm Hook Plate, **(Figure3)**. Hook the Hook Plate onto the top edge of the frame, **(Figure 4)**. Position the driver side rear Mounting Bracket up against the frame between the leaf spring and frame, **(Figures 5)**. Attach the rear Bracket to the top Hook Plate with (1) 12mm x 45mm Hex Bolt, (1)

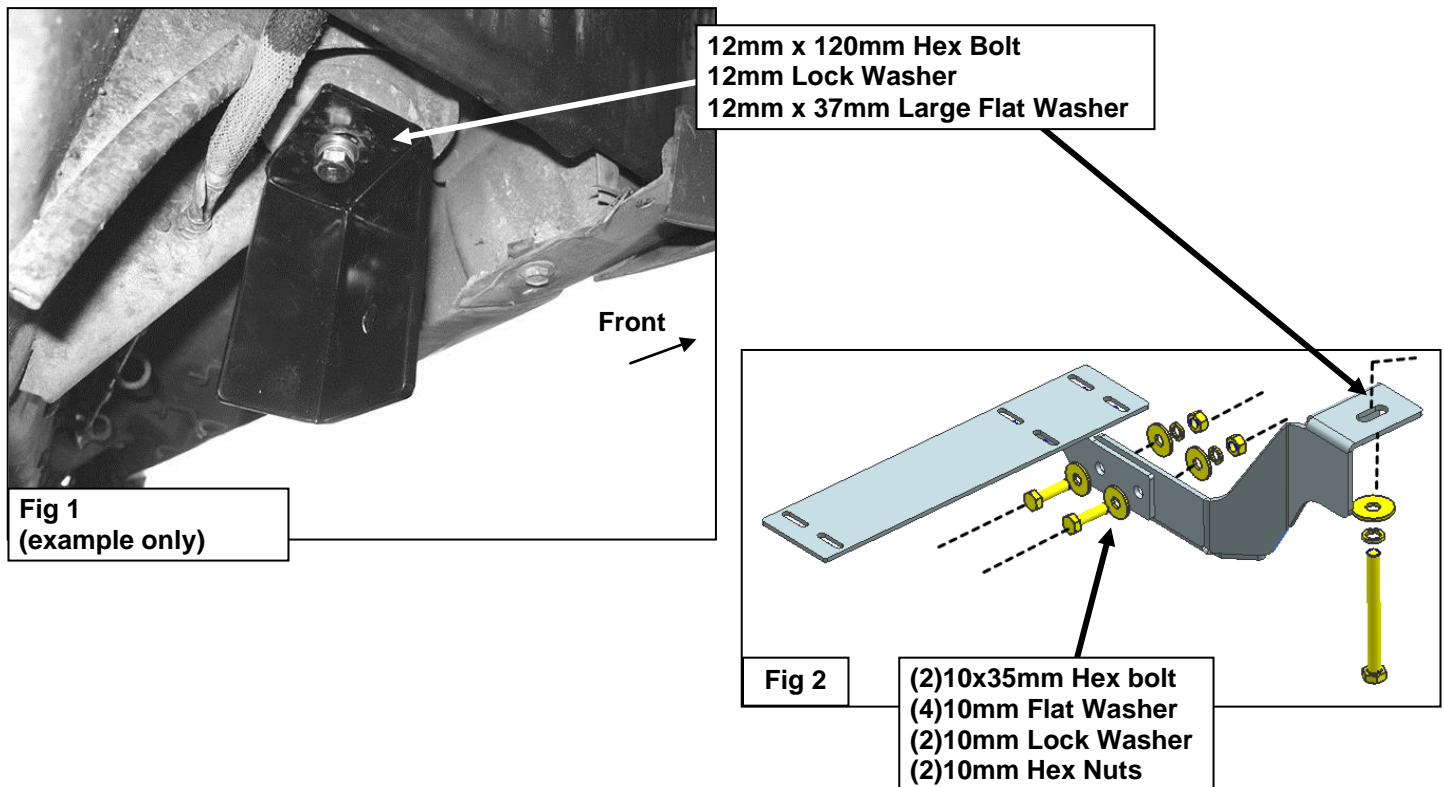
- 12mm Lock Washer and (1) 12mm x 24mm Small Flat Washer, **(Figure 6)**. Leave hardware loose at this time.
5. Select (1) Hook Plate. Hook the Hook Plate over the bottom edge of the frame, **(Figure 3)**. Repeat **Step 4** to attach the bottom of the rear Bracket to the Hook Plate, **(Figures 5 & 6)**. **NOTE:** Make sure the clearance holes in the rear Mounting Bracket are lined up with the factory fasteners in the frame. **IMPORTANT!** Adjust the location of the bottom Hook Plate away from the emergency brake cable. Do not tighten hardware at this time.
 6. Select the driver rear lower bracket and bolt to the frame bracket with the include(2)10x35mm Hex bolts,(4)10mm flat washers,(2)10mm lock washers and (2)10mm Hex Nuts.**(Figure7)**
 7. Select a Running Board. Slip(12) 6mm T-bolts into each bottom channel**(Figure 8)**. Carefully position the Running Board onto the (2) Mounting Brackets. **IMPORTANT:** Do not slide, (front to back), the Running Board on the Brackets or damage to the finish may result. Attach the Running Board to the Mounting Brackets with (6) 6mm T-bolts, (6)6mm flat washers and (6)6mm lock nuts **(Figures 9)**. Do not tighten at this time.
 8. Level and adjust the running board, and tighten all hardware. Check all mounting locations for clearance between factory steel body mount brackets and Mounting Brackets. Once satisfied with fit, fully tighten all hardware.
 9. Repeat **Steps 1—8** for passenger running board installation.
 10. Do periodic inspections to the installation to make sure that all hardware is secure and tight.

To protect your investment, wax this product after installing. Regular waxing is recommended to add a protective layer over the finish. Do not use any type of polish or wax that may contain abrasives that could damage the finish.

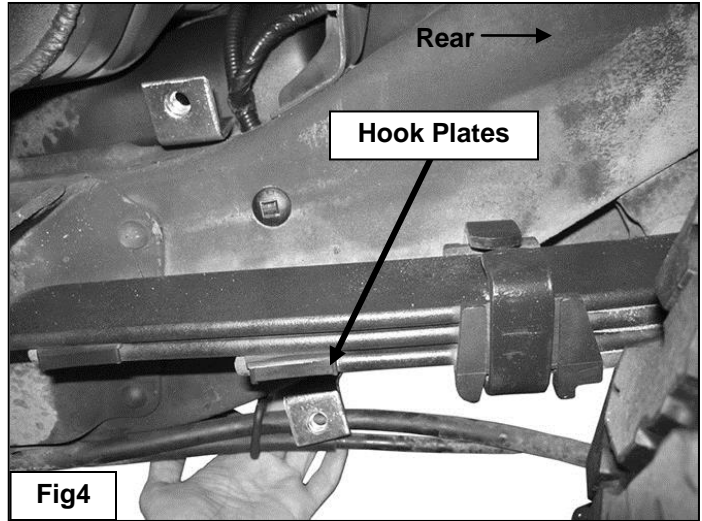
For Polished Finishes: Aluminum polish may be used to polish small scratches and scuffs on the finish. Mild soap may be used also to clean the Running Board.

For Black Finishes: Mild soap may be used to clean the Running Board.

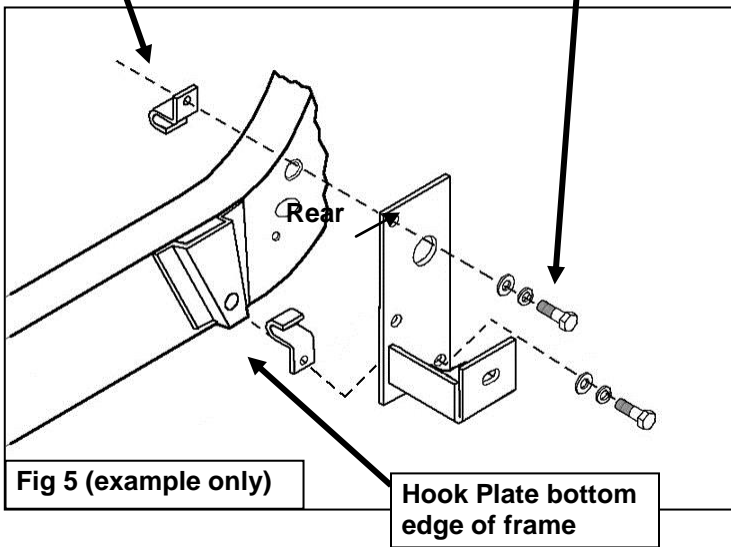
Driver side installation illustrated



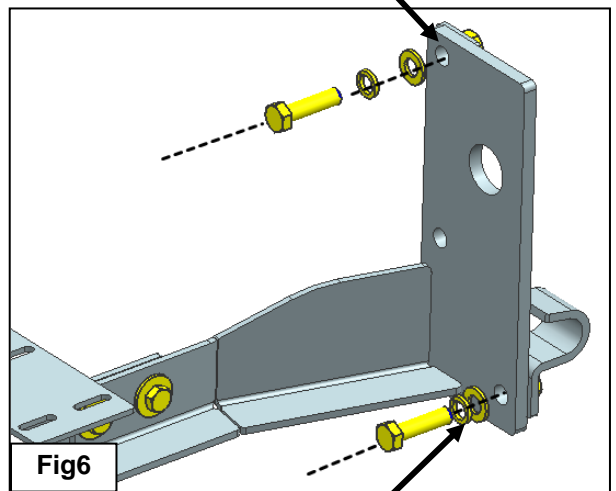
Driver side installation illustrated



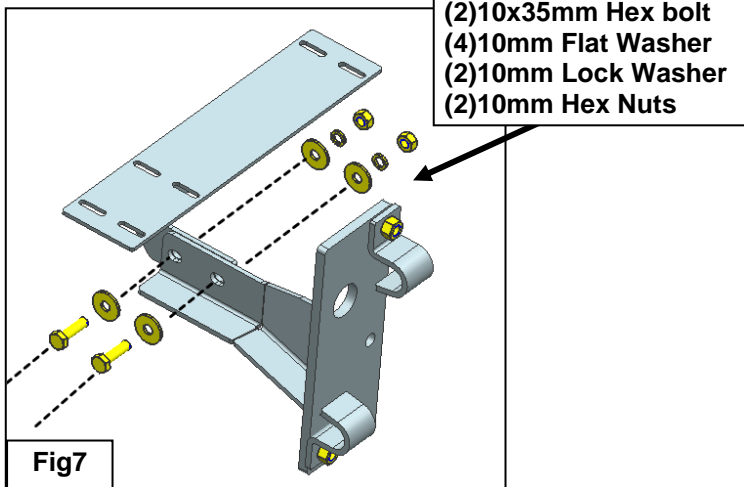
- Hook Plate on top edge of frame
- (2) 12mm x 45mm Hex Bolts
- (2) 12mm Lock Washers
- (2) 12mm x 24mm Small Flat Washers



- (2) 12mm x 45mm Hex Bolts
- (2) 12mm Lock Washers
- (2) 12mm x 24mm Small Flat Washers



- (2) 12mm x 45mm Hex Bolts
- (2) 12mm Lock Washers
- (2) 12mm x 24mm Small Flat Washers



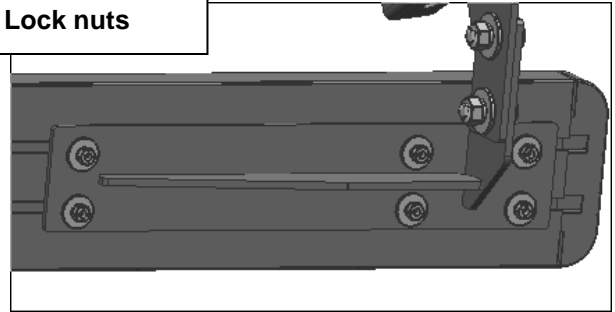
- (2)10x35mm Hex bolt
- (4)10mm Flat Washer
- (2)10mm Lock Washer
- (2)10mm Hex Nuts

Driver side installation illustrated



(Fig 8) Slip 6mm T-bolts into the bottom channel

- (6)6mm T-bolts
- (6)6mm Flat Washers
- (6)6mm Lock nuts



(Fig 9) Bracket installation