

# iBoard®



Scan for  
Installation Video

## iBoard® by APS

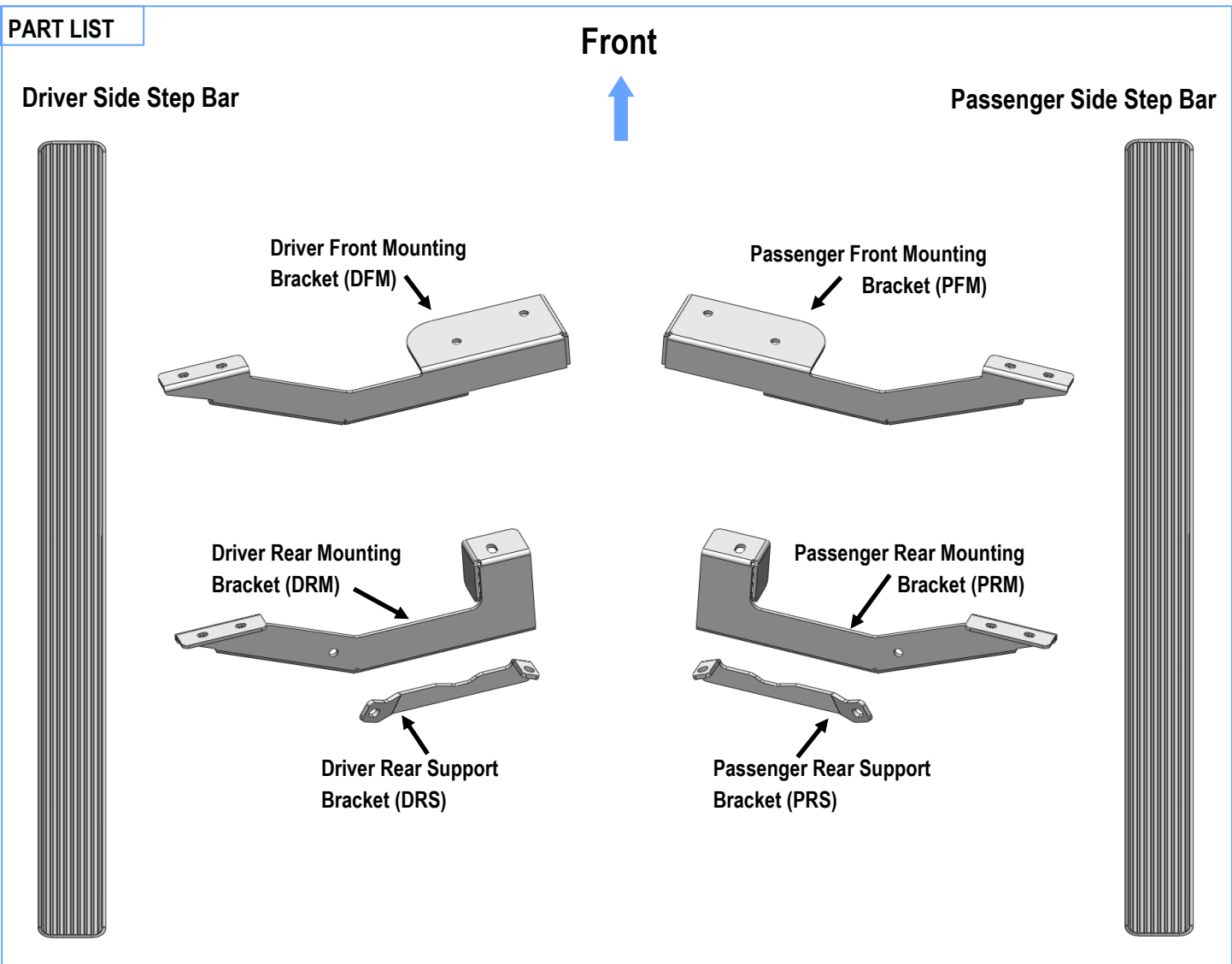
PART#: IB-202C&H

READ INSTRUCTIONS CAREFULLY BEFORE STARTING INSTALLATION. REMOVE CONTENTS FROM BOX AND VERIFY ALL PARTS ARE PRESENT. ASSISTANCE IS RECOMMENDED.

\*ROCKER PANEL MOUNT  
\*NO DRILLING REQUIRED

Fastener Size	Tightening Torque (ft-lbs)	Required
6mm	6-7	X
8mm	16-18	√
10mm	31-32	√
12mm	56-58	X
14mm	92-94	X

### PART LIST

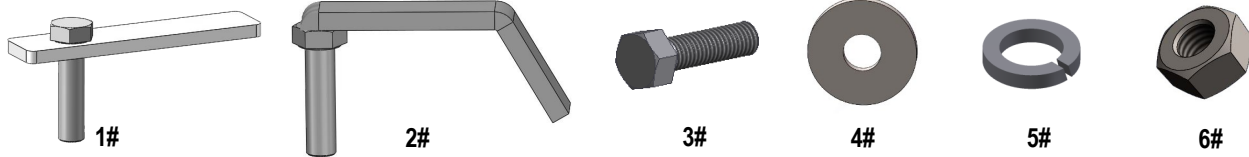


Customer Support: [info@iboardauto.com](mailto:info@iboardauto.com)



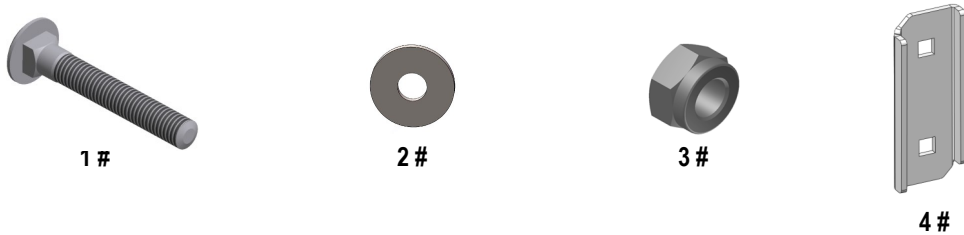
## Hardware Package A (For Bracket Installation)

Item	QTY	Description	Item	QTY	Description
1#	6	M10X45 Bolt Plates	4#	12	M10 Large Flat Washers
2#	2	M10X30 Handle Bolt Plates	5#	10	M10 Lock Washers
3#	2	M10X1.5-35mm Hex Bolts	6#	10	M10 Hex Nuts



## Hardware Package B (For Stainless Steel Step Bar Installation)

Item	QTY	Description	Item	QTY	Description
1#	8	M8X1.25-35mm Carriage Bolts	3#	8	M8 Nylon Lock Nuts
2#	8	M8 Large Flat Washers	4#	4	Sliders (Packed with Step Bars)

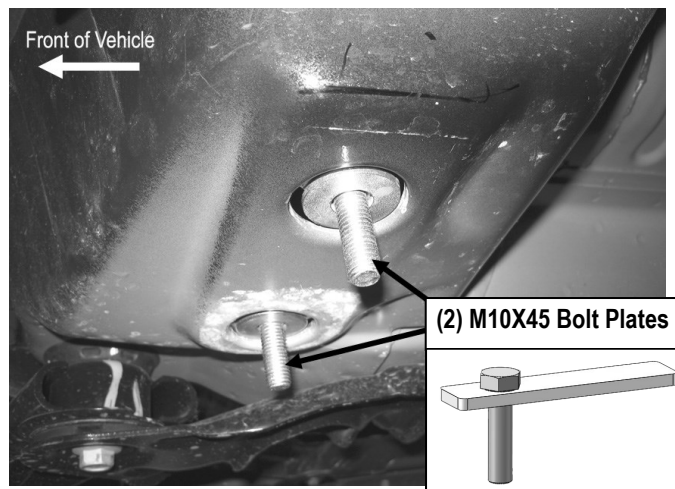




## STEP 1

Start installation from the driver side front of the vehicle, locate the (2) factory holes in the lateral floor panel support by the front tires. Insert (1) M10X45 Bolt Plate into each of the factory holes.

**IMPORTANT!** Once you have inserted the Bolt Plates, make sure that the welded washer on each Bolt Plate is in the center of the factory hole, (**Fig 1**).

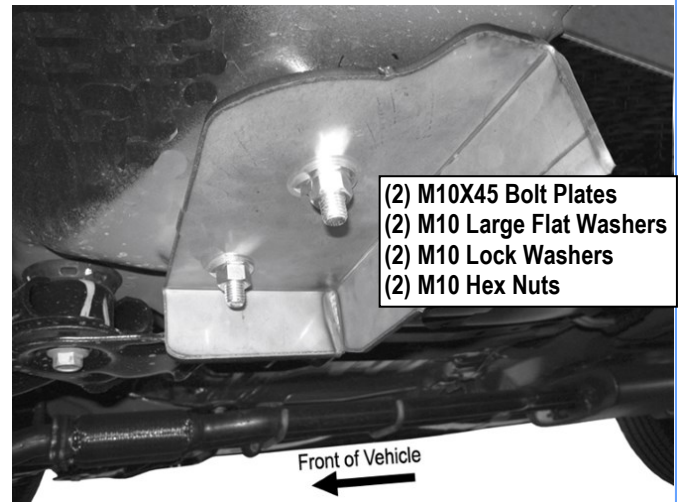


(Fig 1) M10X45 Bolt Plate Installation  
(on Driver Side Front Mounting Location)

## STEP 2

Select the Driver Front Mounting Bracket (**DFM**) and attach it to the installed M10X45 Bolt Plates using (2) M10 Large Flat Washers, (2) M10 Lock Washers and (2) M10 Hex Nuts, (**Fig 2**). Do not fully tighten hardware at this time.

**NOTE:** When tightening the Bolt Plates, make sure that they are fully engaged at all times.

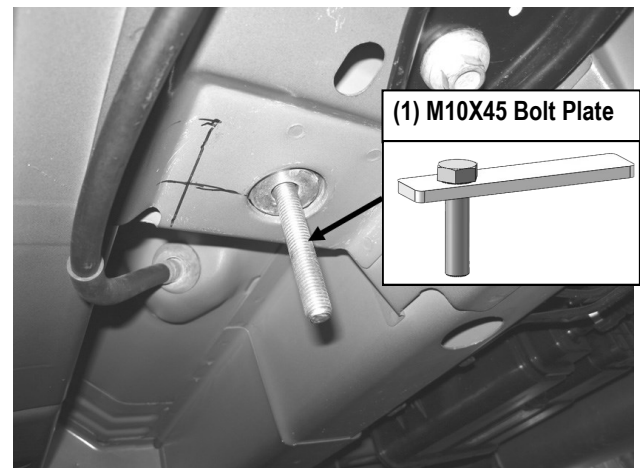


(Fig 2) Driver Front Mounting Bracket Installed (example)

## STEP 3

Move to the driver side rear of the vehicle. There are (2) large factory holes by the rear of the floor panel, one in the lateral floor panel support and one in the horizontal floor panel support. Insert (1) M10X45 Bolt Plate into factory hole in the lateral floor panel support, (**Fig 3**).

**IMPORTANT!** Once you have inserted the Bolt Plate, make sure that the welded washer on the Bolt Plate is in the center of the factory hole.



(Fig 3) M10X45 Bolt Plate Installed (Driver Side Rear)



## STEP 4

Attach Driver Rear Mounting Bracket (**DRM**) to installed M10X45 Bolt Plate using (1) M10 Large Flat Washer, (1) M10 Lock Washer and (1) M10 Hex Nut, (**Fig 6**). Do not fully tighten hardware at this time.

**NOTE:** When tightening the Bolt Plate, make sure is fully engage at all times.

## STEP 5

To the right side of the Driver Rear Mounting Bracket, there is one oval factory hole and one round factory hole in the floor panel. Insert (1) M10X30 Handle Bolt Plate through inside oval factory hole so Bolt drops through outside round hole, (**Figs 4 & 5**).

Attach Driver Rear Support Bracket (**DRS**) to already inserted M10X30 Handle Bolt Plate using the included (1) M10 Large Flat Washer, (1) M10 Lock Washer and (1) M10 Hex Nut, (**Fig 6**). Do not fully tighten hardware at this time.



M10X30 Handle Bolt Plate

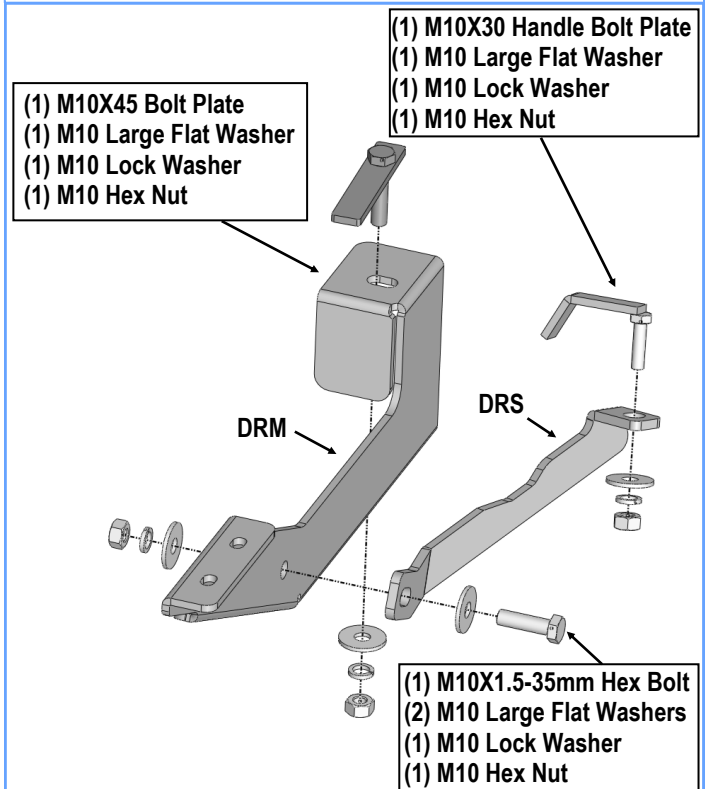
(Fig 4) M10X30 Handle Bolt Plate Installation



(Fig 5) M10X30 Handle Bolt Plate Installed

## STEP 6

Attach opposite side of Support Bracket to Driver Rear Mounting Bracket using the included (1) M10X1.5-35 Hex Bolt, (2) M10 Large Flat Washers, (1) M10 Lock Washer and (1) M10 Hex Nut, (**Fig6**). Do not fully tighten hardware at this time.



(Fig 6) Driver Rear Mounting Bracket Installation



## STEP 7

Once all (2) Driver side mounting brackets are installed, then proceed to the Step Bar installation. **(Figs 7 & 8)**

- (1) Select (1) Slider and (2) M8X1.25-35mm Carriage Bolts;
- (2) Install (2) M8X1.25-35mm Carriage Bolts in (1) Slider.
- (3) Slide the Slider (with carriage bolts) to the **Step Bar**.
- (4) Repeat to install the other (1) slider to the step bar.
- (5) Attach the Step Bar (with the Sliders) onto the installed mounting brackets. Position the Sliders to the installed brackets. Secure the Step Bar to the installed Brackets by using (4) M8 Large Flat Washers and (4) M8 Nylon Lock Nuts and (2) Sliders, **(Fig 8)**. Do not fully tighten hardware at this time.

**Note:** The Sliders are packed with the Step Bars.

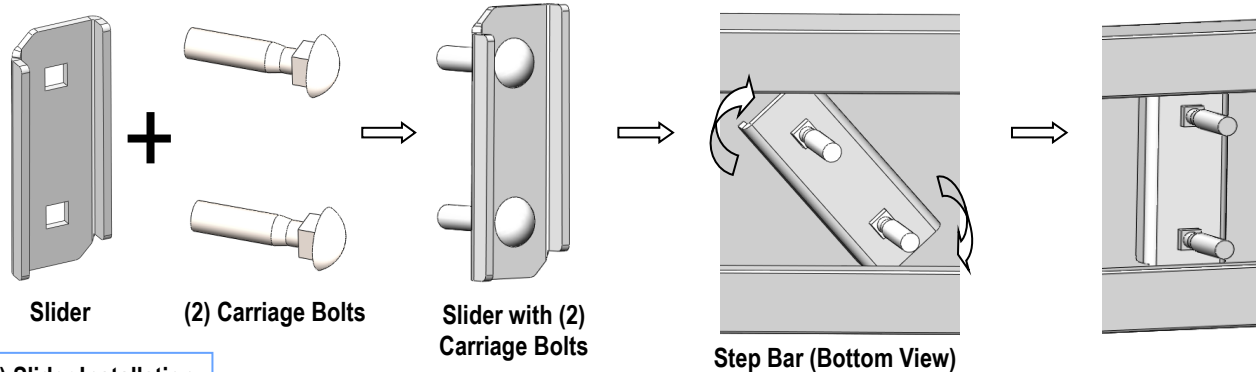
Level and adjust the Step Bar and fully tighten all hardware.

Repeat **Steps 1-7** for the other side Step Bar installation. **The installation is completed!!!**

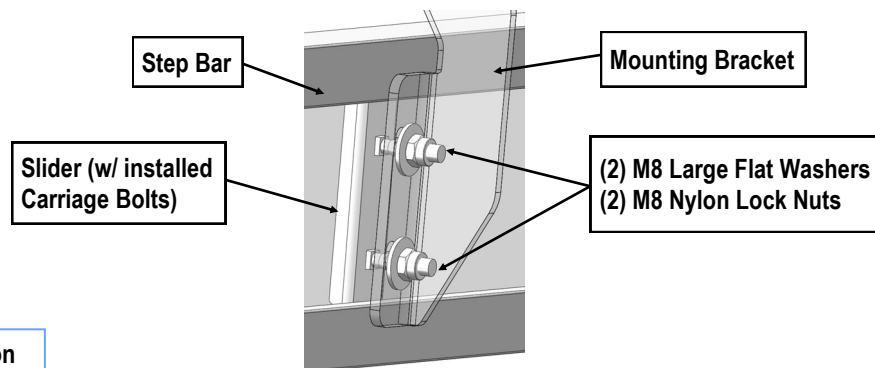
### Attention

**Do periodic inspections to the installation to make sure that all hardware is secure and tight.**

**In order to protect your bars/boards, please use mild soap/non-abrasive products for cleaning only.**



(Fig 7) Slider Installation



(Fig 8) Step Bar Installation