

# iBoard®

## iBoard® by APS

PART#: IB-202

READ INSTRUCTIONS CAREFULLY BEFORE STARTING INSTALLATION. REMOVE CONTENTS FROM BOX AND VERIFY ALL PARTS ARE PRESENT. ASSISTANCE IS RECOMMENDED.

\*BODY FRAME MOUNT  
\*NO DRILLING REQUIRED

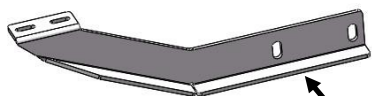
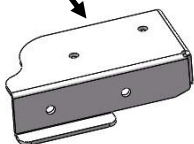
Fastener Size	Tightening Torque (ft-lbs)	Required
6mm	6-7	√
8mm	16-18	X
10mm	31-32	√
12mm	56-58	X
14mm	92-94	X

### PART LIST

Front

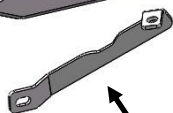
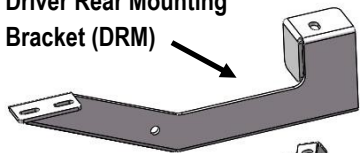


Driver Front Mounting Bracket (DFM)



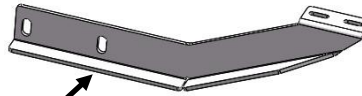
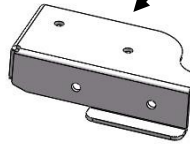
Driver Front Bar Bracket (DFB)

Driver Rear Mounting Bracket (DRM)



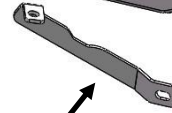
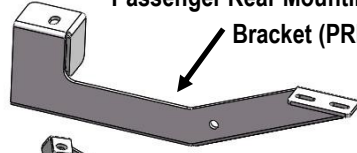
Driver Rear Support Bracket (DRS)

Passenger Front Mounting Bracket (PFM)



Passenger Front Bar Bracket (PFB)

Passenger Rear Mounting Bracket (PRM)



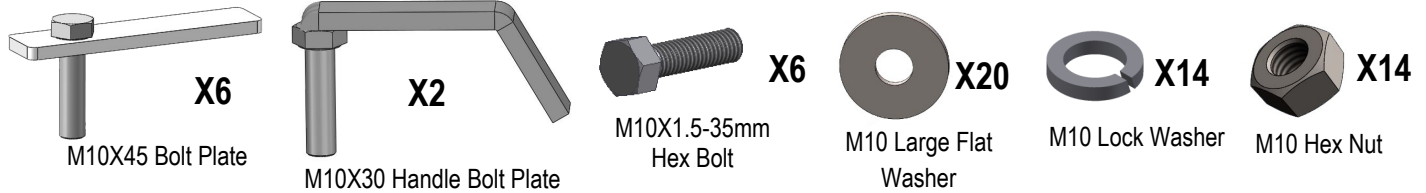
Passenger Rear Support Bracket (PRS)



Customer Support: [info@iboardauto.com](mailto:info@iboardauto.com)

# iBoard®

## Hardware Package A (For Bracket Installation)



## Hardware Package B (For Aluminum Step Bar Installation Only, Not Supply to Stainless Steel Step Bar)



## Hardware Package C (For Stainless Steel Step Bar Installation Only, Not Supply to Aluminum Step Bar)



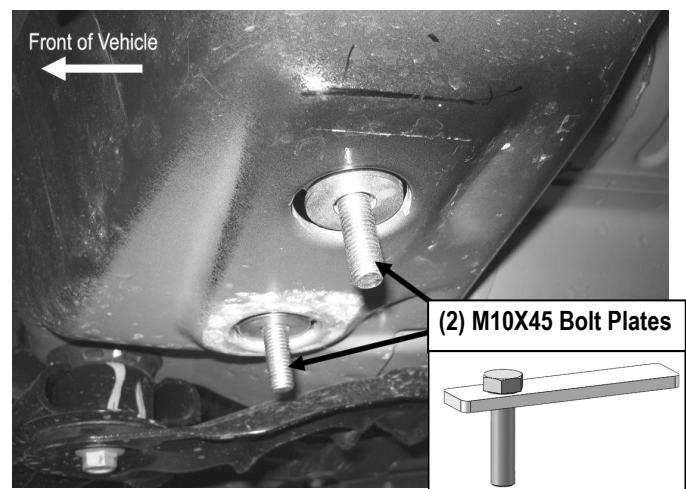
### STEP 1

Start installation from the driver side front of the vehicle, locate the (2) factory holes in the lateral floor panel support by the front tires. Insert (1) M10X45 Bolt Plate into each of the factory holes.

**IMPORTANT!** Once you have inserted the Bolt Plates, make sure that the welded washer on each Bolt Plate is in the center of the factory hole, (**Fig 1**).

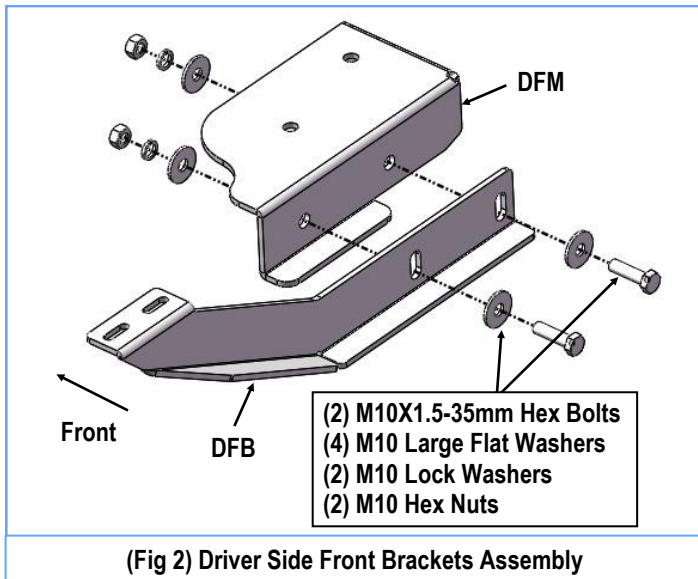
### STEP 2

Assemble the Driver Front Mounting Bracket (**DFM**) and Driver Front Bar Bracket (**DFB**) with (2) M10X1.5-35 Hex Bolts, (4) M10 Large Flat Washers, (2) M10 Lock Washers and (2) M10 Hex Nuts, (**Fig 2**). Do not fully tighten hardware at this time.



(Fig 1) M10X45 Bolt Plate Installation (Driver Side Front)

# iBoard®

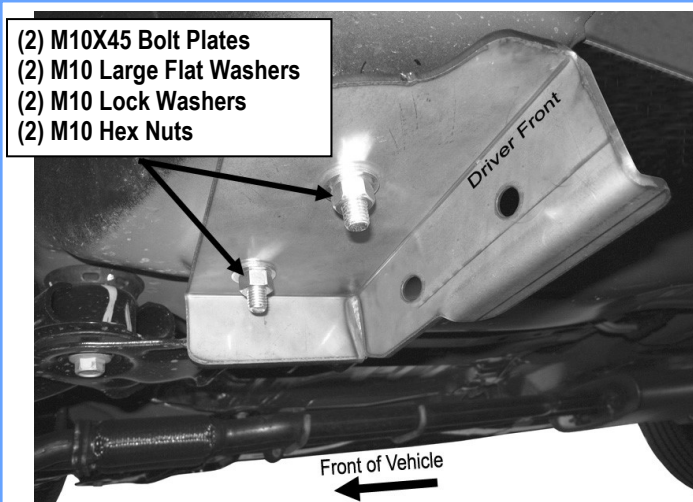


(Fig 2) Driver Side Front Brackets Assembly

## STEP 3

Locate the Driver Front Mounting Bracket (DFM) and hang it from already inserted M10X45 Bolt Plates using the included (2) M10 Large Flat Washers, (2) M10 Lock Washers and (2) M10 Hex Nuts, (Fig 3). Do not fully tighten hardware at this time.

**NOTE:** When tightening the Bolt Plates, make sure that they are fully engage at all times.

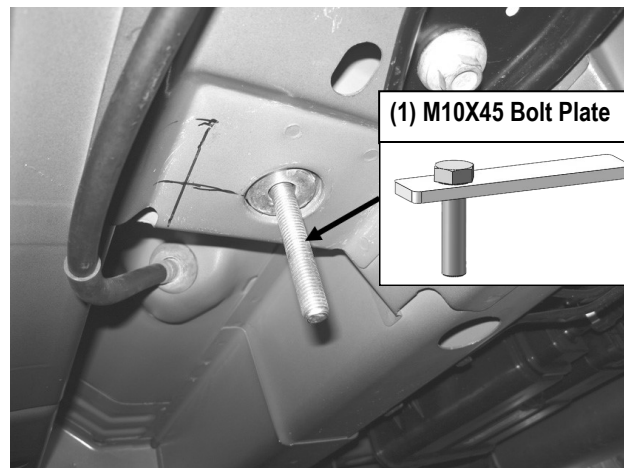


(Fig 3) Driver Front Mounting Bracket Installation

## STEP 4

Move to the driver side rear of the vehicle. There are (2) large factory holes by the rear of the floor panel, one in the lateral floor panel support and one in the horizontal floor panel support. Insert (1) M10X45 Bolt Plate into factory hole in the lateral floor panel support, (Fig 4).

**IMPORTANT!** Once you have inserted the Bolt Plate, make sure that the welded washer on the Bolt Plate is in the center of the factory hole.



(Fig 4) M10X45 Bolt Plate Installation (Driver Side Rear)

## STEP 5

Attach Driver Rear Mounting Bracket (DRM) to already inserted M10X45 Bolt Plate using the included (1) M10 Large Flat Washer, (1) M10 Lock Washer and (1) M10 Hex Nut, (Fig 7). Do not fully tighten hardware at this time.

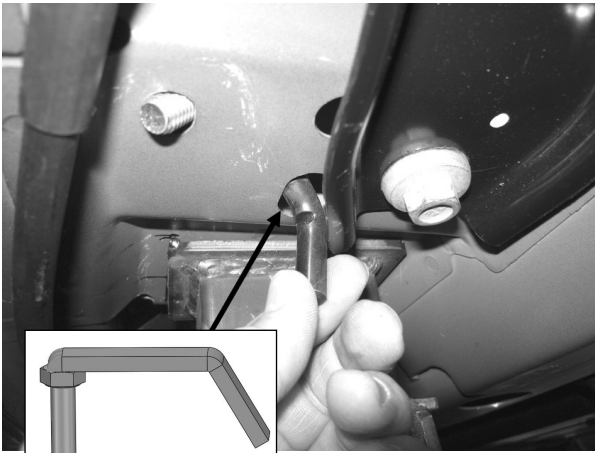
**NOTE:** When tightening the Bolt Plate, make sure is fully engage at all times.

# iBoard®

## STEP 6

To the right side of the Driver Rear Mounting Bracket, there is one oval factory hole and one round factory hole in the floor panel. Insert (1) M10X30 Handle Bolt Plate through inside oval factory hole so Bolt drops through outside round hole, (Figs 5 & 6).

Attach Driver Rear Support Bracket (DRS) to already inserted M10X30 Handle Bolt Plate using the included (1) M10 Large Flat Washer, (1) M10 Lock Washer and (1) M10 Hex Nut, (Fig 7). Do not fully tighten hardware at this time.



M10X30 Handle Bolt Plate

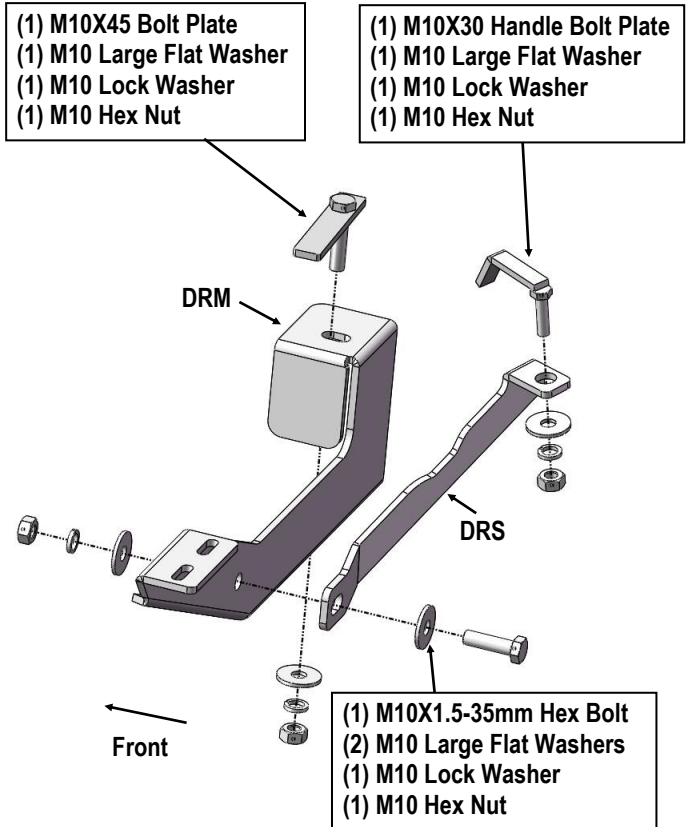
(Fig 5) M10X30 Handle Bolt Plate Installation



(Fig 6) M10X30 Handle Bolt Plate Installation

## STEP 7

Attach opposite side of Support Bracket to Driver Rear Mounting Bracket using the included (1) M10X1.5-35 Hex Bolt, (2) M10 Large Flat Washers, (1) M10 Lock Washer and (1) M10 Hex Nut, (Fig 7). Do not fully tighten hardware at this time.



(Fig 7) Driver Rear Mounting Bracket Installation

## STEP 8

Once all (2) mounting brackets are installed, then proceed to the Step Bar installation. According to the style of Step Bar proceed to the correct installation STEPS.

**Note:** Aluminum Step Bar refer to STEP 9; Stainless Steel Step Bar skip to STEP 10.

# iBoard®

## STEP 9

### Aluminum Step Bar Installation:

Select a **Aluminum Step Bar**. Slip (2) M6x1-20mm Square Head Bolts into each bottom channel (**Fig 8**). Carefully position the Step Bar onto the (2) Mounting Brackets.

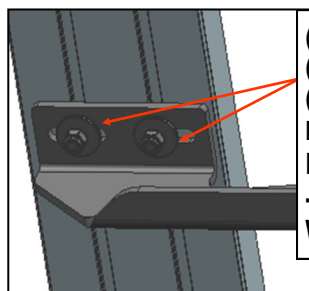
**IMPORTANT:** Do not slide the Step Bar on the Brackets or the bottom surface of the board will be damaged. Attach the Step Bar to each Mounting Brackets with (2) M6x1-20mm Square Head Bolts, (2) M6 Large Flat Washers and (2) M6 Nylon Lock Nuts, (**Fig 9**). Do not fully tighten at this time.

Level and adjust the Step Bar and fully tighten all hardware. Repeat **Steps 1-9** for the other side Step Bar installation.

**The installation is completed!!!**



(Fig 8) Slip M6X1-20mm Square Head Bolts Into The Bottom Channels



(2) M6X1-20mm Square Head Bolts  
(2) M6 Large Flat Washers  
(2) M6 Nylon Lock Nuts  
**IMPORTANT: TORQUE FOR 6MM FASTNERS MUST LESS THAN 6-7 FT-LBS OR THE FASTNERS WILL BE DAMAGED!**

(Fig 9) Running Board Installed Onto Mounting Bracket

## STEP 10

### Stainless Steel Step Bar Installation:

Select a **Stainless Steel Step Bar** (with the U-Sliders installed on the Bar). Loose the U-Sliders, reposition the U-Sliders onto the board according to the (2) Installed Mounting Brackets location, (**Fig 10**). Re-secure the U-Sliders on the Step Bar. Attach the Step Bar to the installed Mounting Brackets with (4) M6X1-20mm Hex Bolts, (4) M6 Large Flat Washers & (4) M6 Lock Washers, (**Fig 11**). Do not fully tighten hardware at this time.

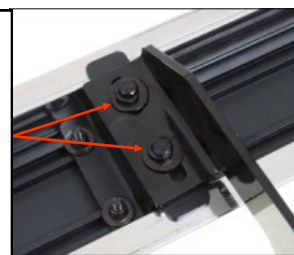
Level and adjust the Step Bar and fully tighten all hardware. Repeat **Steps 1-8 and 10** for the other side Step Bar installation.

**The installation is completed!!!**



(Fig 10) Slide & line up the U-Slider with the installed mounting brackets along bottom channel

(2) M6X1-20mm Hex Bolts  
(2) M6 Large Flat Washers  
(2) M6 Lock Washers  
**IMPORTANT: TORQUE FOR 6MM FASTNERS MUST LESS THAN 6-7 FT-LBS OR THE FASTNERS WILL BE DAMAGED!**



(Fig 11) Step Bar Installed on Bracket Installed (Example)

### Attention

Do periodic inspections to the installation to make sure that all hardware is secure and tight. In order to protect your bars/boards, please use only mild soap/non-abrasive products for cleaning.