

# iBoard®

## iBoard® by APS

PART#: IB-233

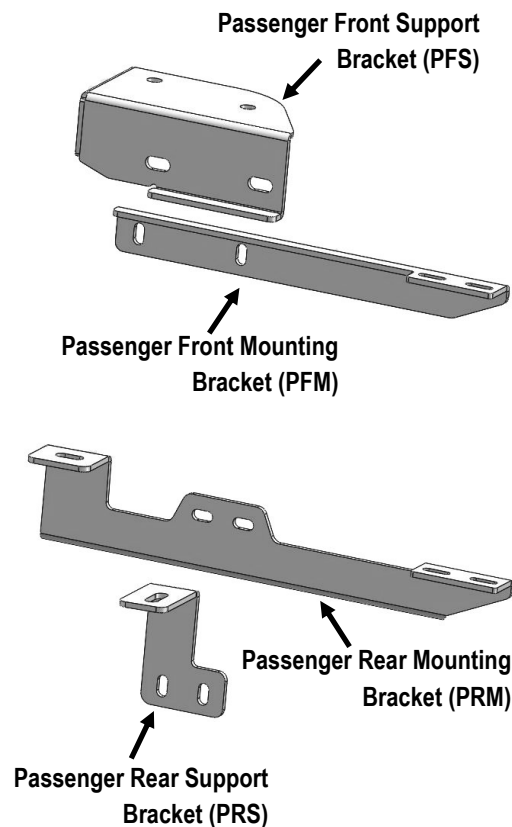
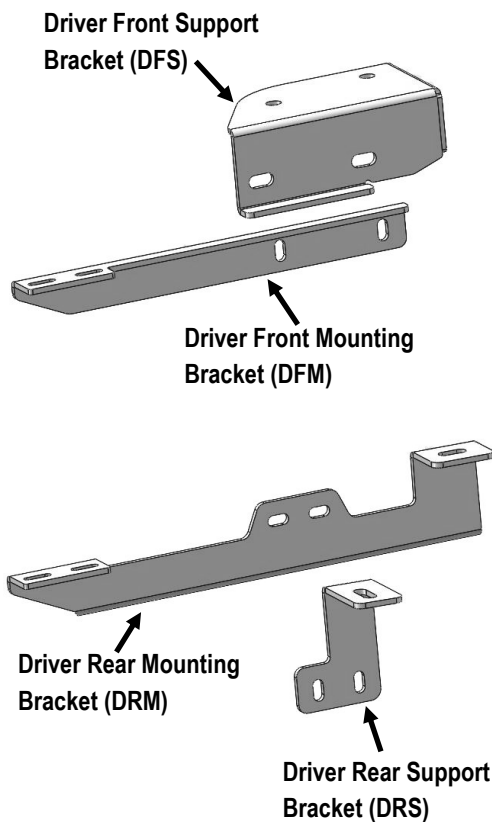
READ INSTRUCTIONS CAREFULLY BEFORE STARTING INSTALLATION. REMOVE CONTENTS FROM BOX AND VERIFY ALL PARTS ARE PRESENT. ASSISTANCE IS RECOMMENDED.

\*BODY FRAME MOUNT  
\*NO DRILLING REQUIRED

Fastener Size	Tightening Torque (ft-lbs)	Required
6mm	6-7	√
8mm	16-18	X
10mm	31-32	√
12mm	56-58	X
14mm	92-94	X

### PART LIST

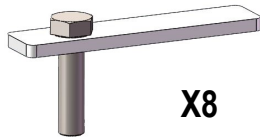
Front



Customer Support: [info@iboardauto.com](mailto:info@iboardauto.com)

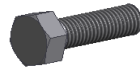
# iBoard®

## Hardware Package A (For Bracket Installation)



**X8**

M10X45 Bolt Plate



**X8**

M10X1.5-30mm Hex Bolt



**X8**

M10 Large Flat Washer



**X16**

M10 Flat Washer



**X16**

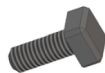
M10 Lock Washer



**X16**

M10 Hex Nut

## Hardware Package B (For Aluminum Step Bar Installation Only, Not Supply to Stainless Steel Step Bar)



**X8**

M6X1-20mm Square Head Bolt



**X8**

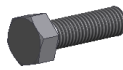
M6 Large Flat Washer



**X8**

M6 Nylon Lock Nut

## Hardware Package C (For Stainless Steel Step Bar Installation Only, Not Supply to Aluminum Step Bar)



**X8**

M6X1-20mm Hex Bolt



**X8**

M6 Lock Washer



**X8**

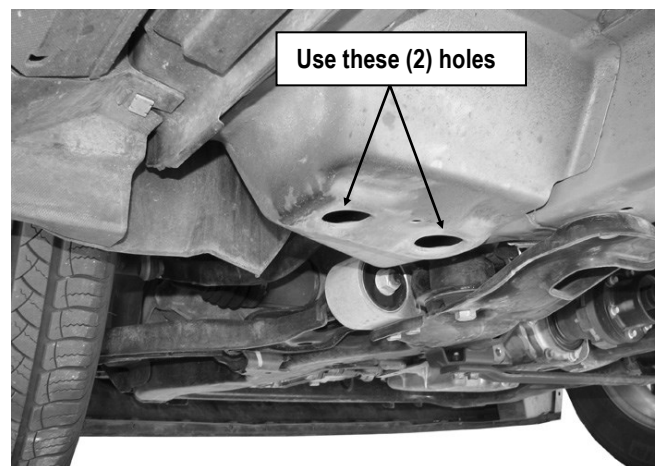
M6 Flat Washer

## STEP 1

Starting from the driver side front of the vehicle. Locate the (2) large factory holes in the floor panel by the front tires, **(Fig 1)**.

## STEP 2

Assemble Driver Front Mounting Bracket (**DFM**) and Driver Front Support Bracket (**DFS**) with (2) M10X1.5-30mm Hex Bolts, (4) M10 Flat Washers, (2) M10 Lock Washers and (2) M10 Hex Nuts, **(Fig 2)**. Do not fully tighten hardware at this time.



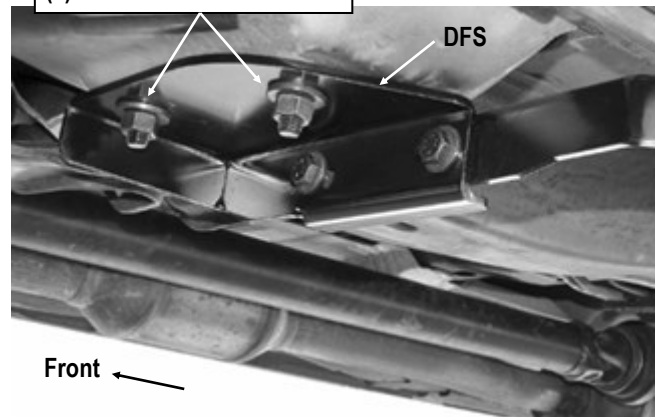
**(Fig 1) Driver Side Front Mounting Location**

# iBoard®

## STEP 4

Select the assembled driver front brackets. Attach the Driver Front Support Bracket (**DFS**) to the installed (2) M10x45 Bolt Plates with (2) M10 Large Flat Washers, (2) M10 Lock Washers and (2) M10 Hex Nuts, (**Fig 4**). Do not fully tighten hardware at this time.

(2) M10x45 Bolt Plates  
(2) M10 Large Flat Washers  
(2) M10 Lock Washers  
(2) M10 Hex Nuts



(Fig 4) Passenger Side Front Brackets Installed

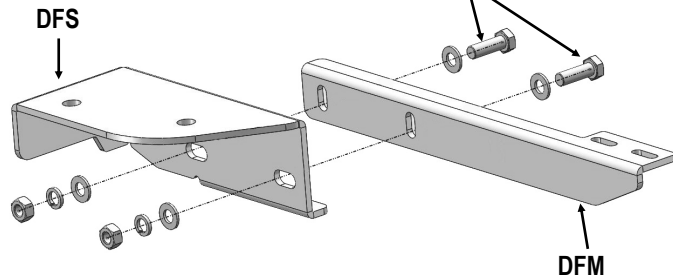
## STEP 5

Move to the Driver side rear mounting location, (**Fig 5**). Locate the large factory holes at the bottom of the suspension mount.

## STEP 6

Repeat **Step 2** to assemble Driver Rear Mounting Bracket (**DRM**) and Driver Rear Support Bracket (**DRS**), (**Fig 6**). Do not fully tighten hardware at this time.

(2) M10X1.5-30mm Hex Bolts  
(4) M10 Flat Washers  
(2) M10 Lock Washers  
(2) M10 Hex Nuts

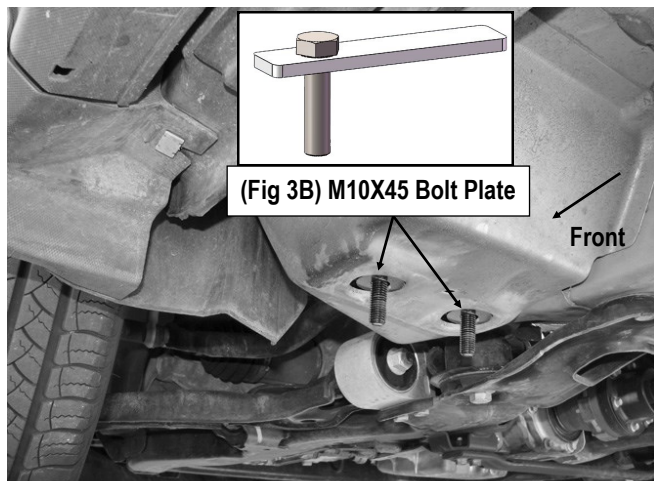


(Fig 2) Driver Side Front Brackets Assembly

## STEP 3

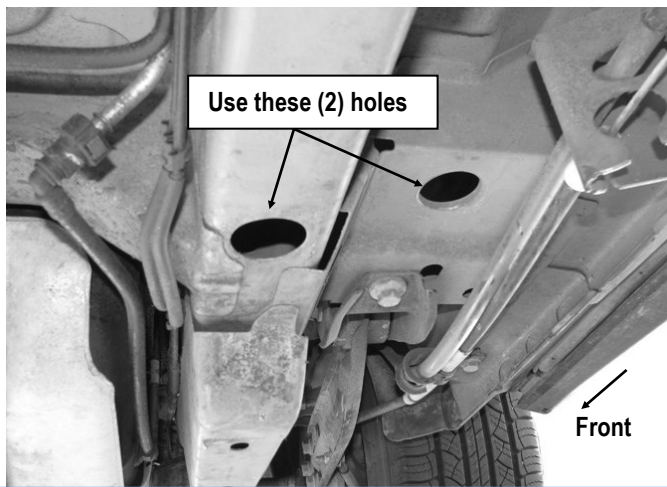
Select (2) M10x45 Bolt Plates. Insert (1) M10x45 Bolt Plate into each of the factory holes, (**Fig 3A**).

**IMPORTANT:** Once you have inserted the Bolt Plates, make sure that the welded washer on each Bolt Plate is in the center of the factory hole, (**Figs 3A & 3B**).

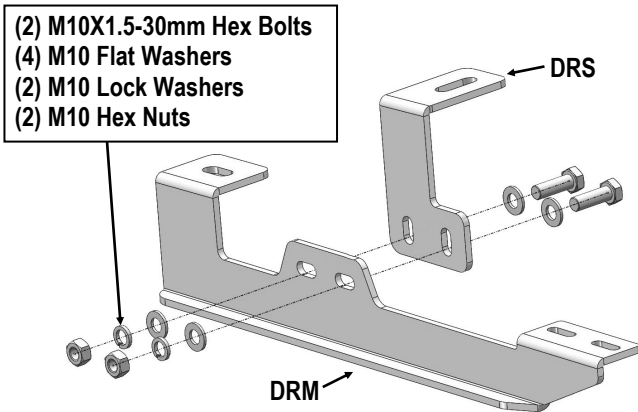


(Fig 3A) M10x45 Bolt Plate Installed  
(On Driver Side Front Mounting Location)

# iBoard®



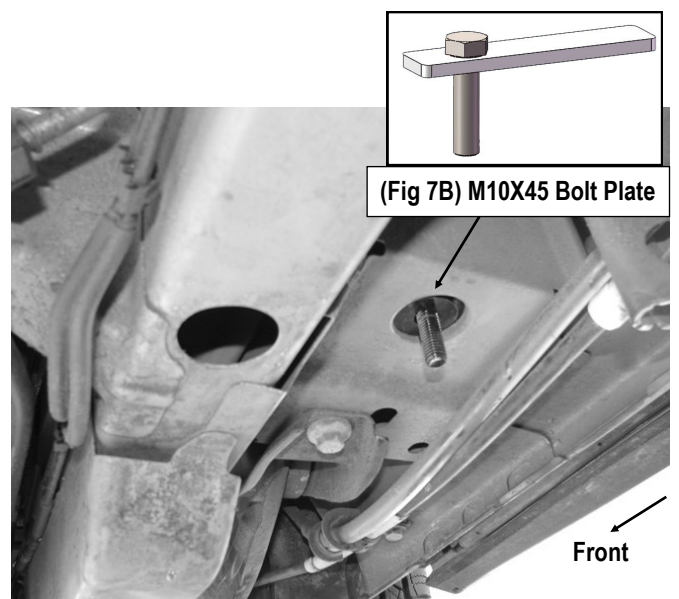
(Fig 5) Driver Side Rear Mounting Location



(Fig 6) Driver Side Rear Brackets Assembly

## STEP 7

Insert (1) M10x45 Bolt Plate into the large hole in the suspension mount as described in **Step 3, (Figs 7A & 7B)**. Next, locate the factory hole in the bottom of the inner frame channel. Insert (1) M10x45 Bolt Plate into the hole at the bottom of the frame channel, (**Figs 8A & 8B**).



(Fig 7A) M10x45 Bolt Plate Installed  
(On Driver Side Rear Mounting Location)



(Fig 8A) M10x45 Bolt Plate Installed  
(On Driver Side Rear Mounting Location)

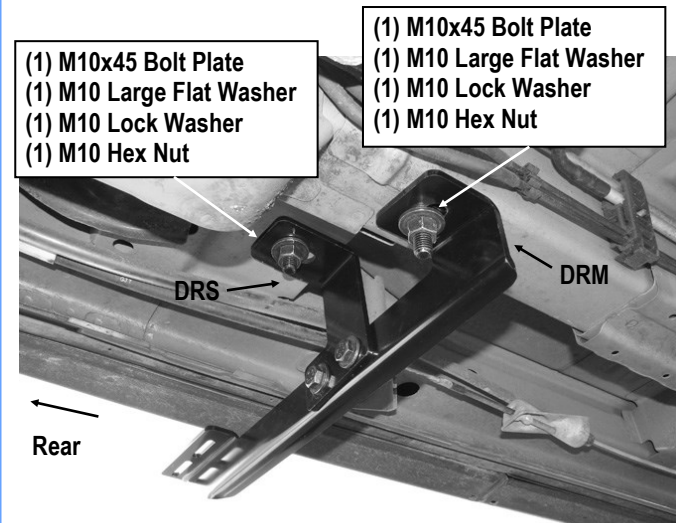


# iBoard®

## STEP 8

Select the Driver Rear Mounting Bracket (**DRM**) and Driver Rear Support Bracket (**DRS**). Attach the Driver Rear Mounting Bracket (**DRM**) to the installed M10x45 Bolt Plate with (1) M10 Large Flat Washer, (1) M10 Lock Washer and (1) M10 Hex Nut. (**Fig 9**). Do not fully tighten hardware at this time.

Repeat to attach the Driver Rear Support Bracket (**DRS**) to the installed M10x45 Bolt Plate. (**Fig 9**). Do not fully tighten hardware at this time.



(Fig 9) Passenger Side Rear Brackets Installed

## STEP 9

Once all (2) mounting brackets are installed, then proceed to the Step Bar installation. According to the style of Step Bar proceed to the correct installation STEPS.

**Note:** Aluminum Step Bar refer to STEP 10; Stainless Steel Step Bar skip to STEP 11.

## STEP 10

### Aluminum Step Bar Installation:

Select a **Aluminum Step Bar**. Slip (2) M6x1-20mm Square Head Bolts into each bottom channel (**Fig 10**). Carefully position the Step Bar onto the (2) Mounting Brackets.

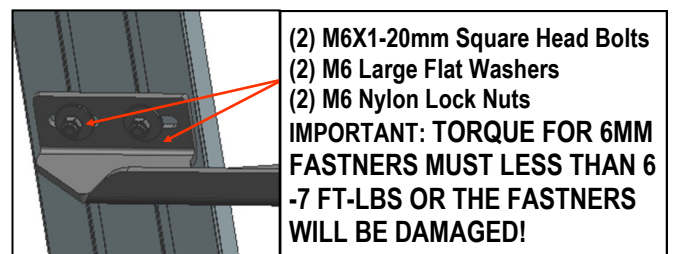
**IMPORTANT:** Do not slide the Step Bar on the Brackets or the bottom surface of the board will be damaged. Attach the Step Bar to each Mounting Brackets with (2) M6x1-20mm Square Head Bolts, (2) M6 Large Flat Washers and (2) M6 Nylon Lock Nuts, (**Fig 11**). Do not fully tighten at this time.

Level and adjust the Step Bar and fully tighten all hardware.

Repeat **Steps 1-10** for the other side Step Bar installation. **The installation is completed!!!**



(Fig 10) Slip M6X1-20mm Square Head Bolts Into The Bottom Channels



(Fig 11) Running Board Installed Onto Mounting Bracket

# iBoard®

## STEP 11

### Stainless Steel Step Bar Installation:

Select a **Stainless Steel Step Bar** (with the U-Sliders installed on the Bar). Loosen the U-Sliders, reposition the U-Sliders onto the board according to the (2) Installed Mounting Brackets location, **(Fig 12)**. Re-secure the U-Sliders on the Step Bar. Attach the Step Bar to the installed Mounting Brackets with (4) M6X1-20mm Hex Bolts, (4) M6 Large Flat Washers & (4) M6 Lock Washers, **(Fig 13)**. Do not fully tighten hardware at this time.

Level and adjust the Step Bar and fully tighten all hardware.

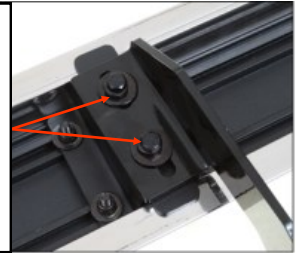
Repeat **Steps 1-9 and 11** for the other side Step Bar installation. **The installation is completed!!!**



**(Fig 12) Slide & line up the U-Slider with the installed mounting brackets along bottom channel**

- (2) M6X1-20mm Hex Bolts
- (2) M6 Large Flat Washers
- (2) M6 Lock Washers

**IMPORTANT: TORQUE FOR 6MM FASTNERS MUST LESS THAN 6-7 FT-LBS OR THE FASTNERS WILL BE DAMAGED!**



**(Fig 13) Step Bar Installed on Bracket Installed (Example)**

### **Attention**

**Do periodic inspections to the installation to make sure that all hardware is secure and tight.**

**In order to protect your bars/boards, please use only mild soap/non-abrasive products for cleaning.**