

iBoard®

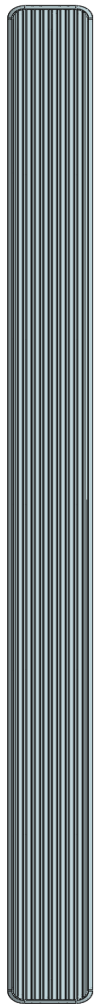
iBoard® by APS

PART#: IB-198/197S/198[L,S]

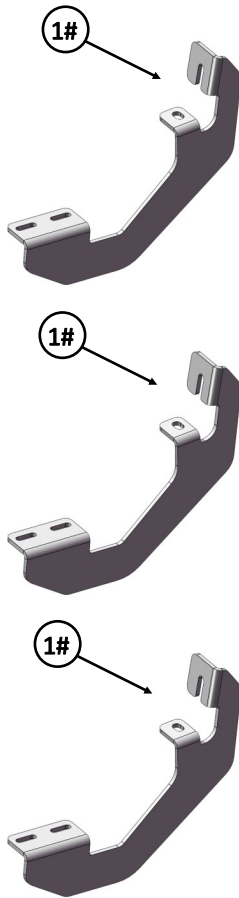
READ INSTRUCTIONS CAREFULLY BEFORE STARTING INSTALLATION. REMOVE CONTENTS FROM BOX AND VERIFY ALL PARTS ARE PRESENT. ASSISTANCE IS RECOMMENDED.

*ROCKER PANEL MOUNT
*NO DRILLING REQUIRED

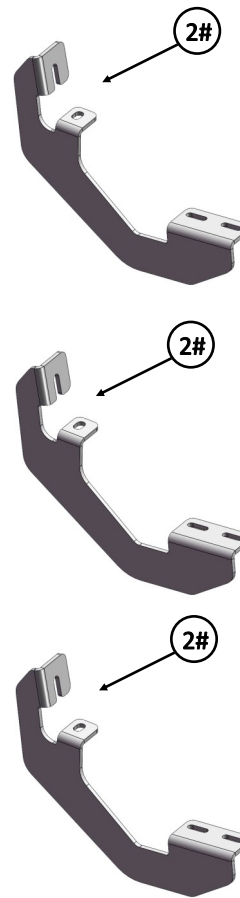
Fastener Size	Tightening Torque (ft-lbs)	Required
6mm	6-7	√
8mm	16-18	√
10mm	31-32	X
12mm	56-58	X
14mm	92-94	X



Driver Side Step Bar



Front
↑

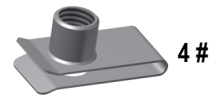


Passenger Side Step Bar

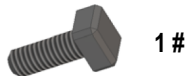
iBoard®

Mounting Bracket List					
Item	QTY	Description	Item	QTY	Description
1#	3	Driver Side Mounting Brackets	2#	3	Passenger Side Mounting Brackets

Hardware Package A (For Bracket Installation)					
Item	QTY	Description	Item	QTY	Description
1#	12	M8X1.25-25mm Hex Bolts	3#	12	M8 Lock Washers
2#	12	M8 Flat Washers	4#	12	M8 Clip Nuts



Hardware Package B (For Aluminum Step Bar Installation Only, Not Supply to SS. Step Bar)					
Item	QTY	Description	Item	QTY	Description
1#	12	M6X1-20mm Square Head Bolts	3#	12	M6X1 Nylon Lock Nuts
2#	12	M6 Large Flat Washers			



Hardware Package C (For Stainless Steel Step Bar Installation Only, Not Supply to Aluminum Step Bar)					
Item	QTY	Description	Item	QTY	Description
1#	12	M6X1-20mm Hex Bolts	3#	12	M6 Flat Washers
2#	12	M6 Lock Washers			

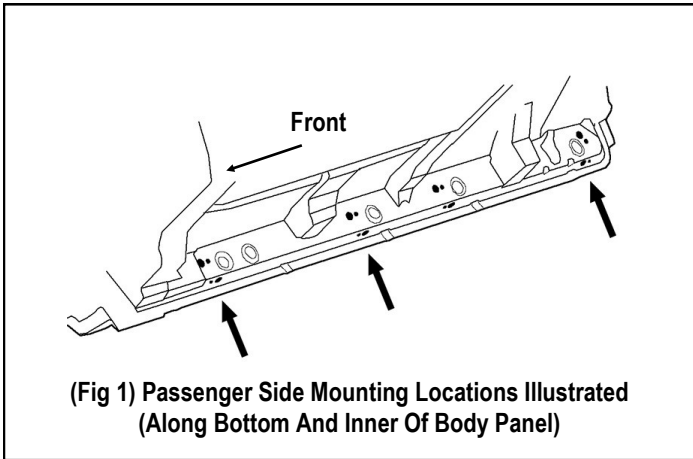


iBoard®

STEP 1

Start the installation from passenger side of the vehicle. Locate the passenger mounting locations along the bottom and inner side of the body panel, (Fig 1).

NOTE: It may help to hold a Bracket up in place to help determine the mounting holes to use along the bottom and inner side of the body.



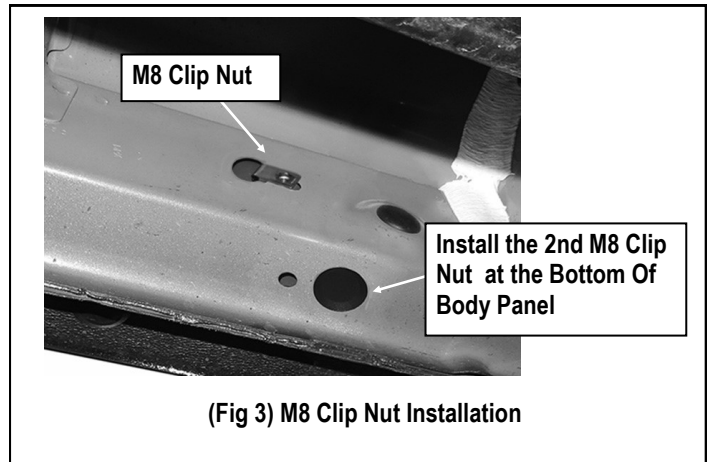
(Fig 1) Passenger Side Mounting Locations Illustrated (Along Bottom And Inner Of Body Panel)

STEP 2

Remove rubber plugs as necessary from the holes on the inner and bottom of the body panel, (Fig 2). Select (1) M8 Clip Nut. Slide the M8 Clip Nut into the large hole and line up threaded nut on the M8 Clip Nut with smaller hole beside the large hole on the inner of body panel, (Fig 3). Repeat to install (1) M8 Clip Nut in the bottom mounting location, (Fig 3).



(Fig 2) Remove Plugs From Mounting Locations As Necessary

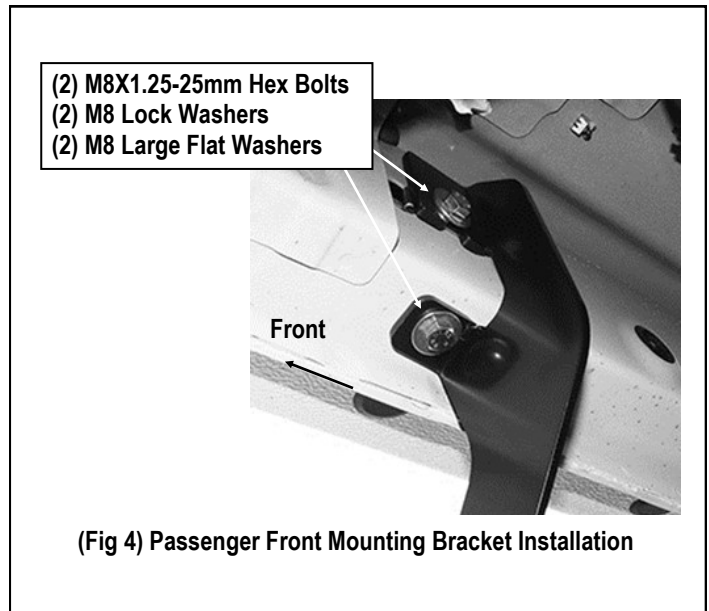


(Fig 3) M8 Clip Nut Installation

STEP 3

Select (1) Passenger Front Mounting Bracket. Attach the Bracket to the Installed (2) M8 Clip Nuts with (2) M8X1.25-25mm Hex Bolts, (2) M8 Lock Washers and (2) M8 Flat Washers, (Fig 4). Snug but do not fully tighten the hardware. Repeat Steps 2—4 to install Passenger Center & Rear Mounting Bracket, (Fig 5 & 6).

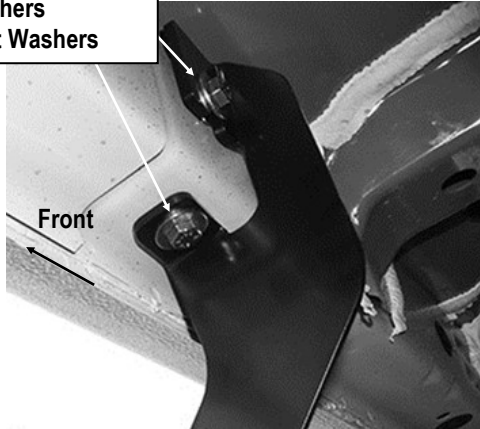
Note: All (3) Passenger Side Mounting Brackets are universal.



(Fig 4) Passenger Front Mounting Bracket Installation

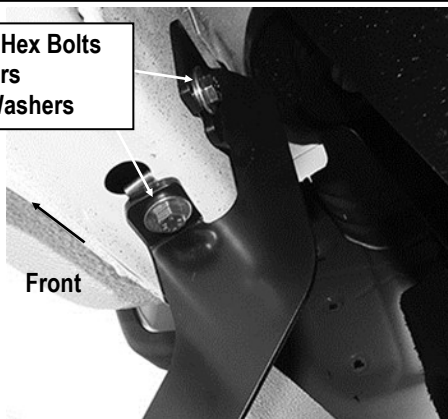
iBoard®

- (2) M8X1.25-25mm Hex Bolts
- (2) M8 Lock Washers
- (2) M8 Large Flat Washers



(Fig 5) Passenger Center Mounting Bracket Installation

- (2) M8X1.25-25mm Hex Bolts
- (2) M8 Lock Washers
- (2) M8 Large Flat Washers



(Fig 6) Passenger Rear Mounting Bracket Installation

STEP 4

Once all (3) mounting brackets are installed, then proceed to the Step Bar installation. According to the style of Step Bar proceed to the correct installation STEPS.

Note: Aluminum Step Bar refer to STEP 5; Stainless Steel Step Bar skip to STEP 6.

STEP 5

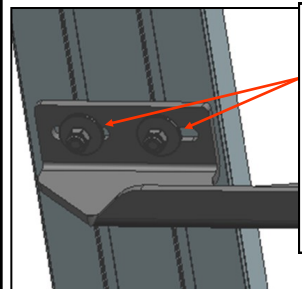
Aluminum Step Bar Installation:

Select a **Aluminum Step Bar**. Slip (3) M6x1-20mm Square Head Bolts into each bottom channel (Fig 7). Carefully position the Step Bar onto the (3) Mounting Brackets.

IMPORTANT: Do not slide the Step Bar on the Brackets or the bottom surface of the board will be damaged. Attach the Step Bar to each Mounting Brackets with (2) M6x1-20mm Square Head Bolts, (2) M6 Large Flat Washers and (2) M6X1 Nylon Lock Nuts, (Fig 8). Do not fully tighten at this time. Level and adjust the Step Bar and fully tighten all hardware. Repeat **Steps 1-5** for the other side Step Bar installation. **The installation is completed!!!**



(Fig 7) Slip M6X1-20mm Square Head Bolts Into The Bottom Channels



- (2) M6X1-20mm Square Head Bolts
 - (2) M6 Large Flat Washers
 - (2) M6X1 Nylon Lock Nuts
- IMPORTANT: TORQUE FOR 6MM FASTNERS MUST LESS THAN 6 -7 FT-LBS OR THE FASTNERS WILL BE DAMAGED!**

(Fig 8) Running Board Installed Onto Mounting Bracket

STEP 6

Stainless Steel Step Bar Installation:

Select a **Stainless Steel Step Bar** (with the U-Sliders installed on the Bar). Loose the U-Sliders, reposition the U-Sliders onto the board according to the (3) Installed Mounting Brackets location, (Fig 9). Re-secure the U-Sliders on the Step Bar. Attach the Step Bar to the installed Mounting Brackets with (6) M6X1-20mm Hex Bolts, (6) M6 Large Flat Washers & (6) M6 Lock Washers, (Fig 10). Do not fully tighten hardware at this time. Level and adjust the Step Bar and fully tighten all hardware. Repeat **Steps 1-4 and 6** for the other side Step Bar installation. **The installation is completed!!!**

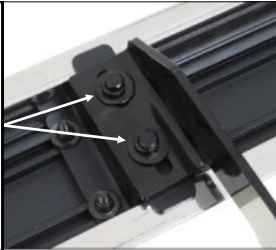
iBoard®



(Fig 9) Slide & line up the U-Slider with the installed mounting brackets along bottom channel

- (2) M6X1-20mm Hex Bolts
- (2) M6 Large Flat Washers
- (2) M6 Lock Washers

IMPORTANT: TORQUE FOR 6MM FASTNERS MUST LESS THAN 6-7 FT-LBS OR THE FASTNERS WILL BE DAMAGED!



(Fig 10) Step Bar Installed on Bracket Installed (Example)

Attention

Do periodic inspections to the installation to make sure that all hardware is secure and tight.

In order to protect your bars/boards, please use only mild soap/non-abrasive products for cleaning.