

iBoard®



Scan for
Installation Video

iBoard® by APS

PART#: IB-171[L,S] C&H

READ INSTRUCTIONS CAREFULLY BEFORE STARTING INSTALLATION. REMOVE CONTENTS FROM BOX AND VERIFY ALL PARTS ARE PRESENT. ASSISTANCE IS RECOMMENDED.

*ROCKER PANEL MOUNT
*NO DRILLING REQUIRED

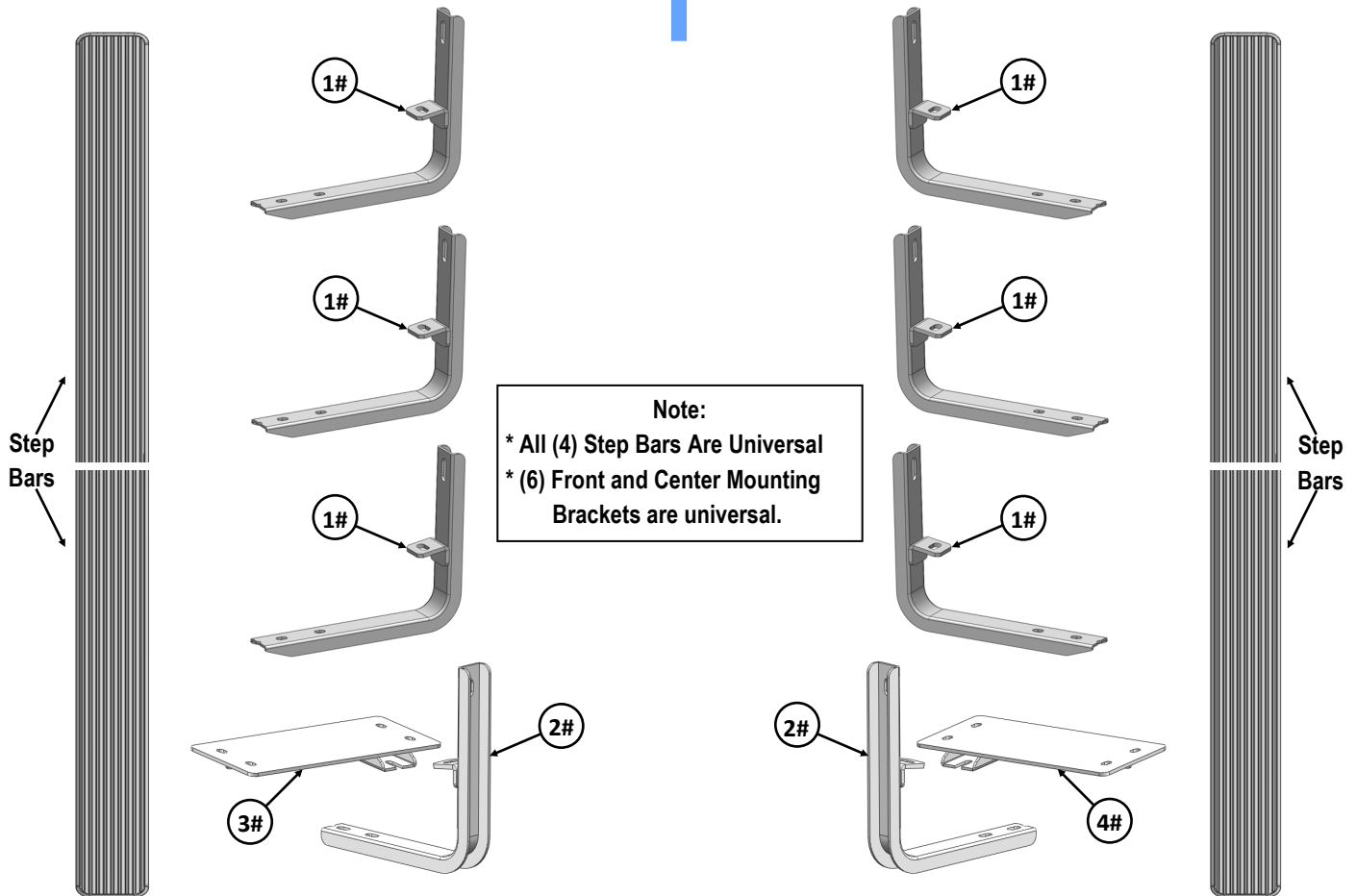
Fastener Size	Tightening Torque (ft-lbs)	Required
6mm	6-7	X
8mm	16-18	√
10mm	31-32	X
12mm	56-58	X
14mm	92-94	X

PART LIST

Driver Side Step Bar

Front

Passenger Side Step Bar



Customer Support: info@iboardauto.com



Mounting Bracket List

Item	QTY	Description	Item	QTY	Description
1#	6	Mounting Brackets	3#	1	Driver Rear Bar Bracket
2#	2	Driver / Passenger Rear Mounting Brackets	4#	1	Passenger Rear Bar Bracket

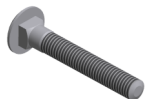
Hardware Package A (For Bracket Installation)

Item	QTY	Description	Item	QTY	Description
1#	16	M8X1.25-30mm Hex Bolts	4#	16	M8 Lock Washers
2#	4	M8X1.25-25mm Hex Bolts	5#	4	M8X1.25 Nylon Lock Nuts
3#	24	M8 Large Flat Washers			



Hardware Package B (For Stainless Steel Step Bar Installation)

Item	QTY	Description	Item	QTY	Description
1#	20	M8X1.25-35mm Carriage Bolts	3#	20	M8 Nylon Lock Nuts
2#	20	M8 Large Flat Washers	4#	10	Sliders (Packed with Step Bars)



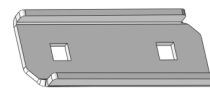
1 #



2 #



3 #



4 #

Hardware Package C (For Stainless Steel Step Bar Assembly)

Item	QTY	Description	Item	QTY	Description
1#	8	Plastic Rivets	5#	4	M8 Hex Nuts
2#	12	M8X1.25-25mm Inner Hex Bolts	6#	2	Plastic Covers (Packed with Step Bars)
3#	16	M8 Flat Washers	7#	2	Back Plates (Packed with Step Bars)
4#	12	M8 Lock Washers			



1 #



2 #



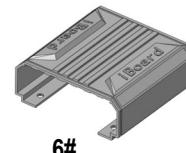
3 #



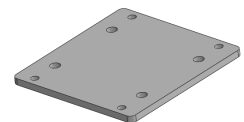
4 #



5#



6#



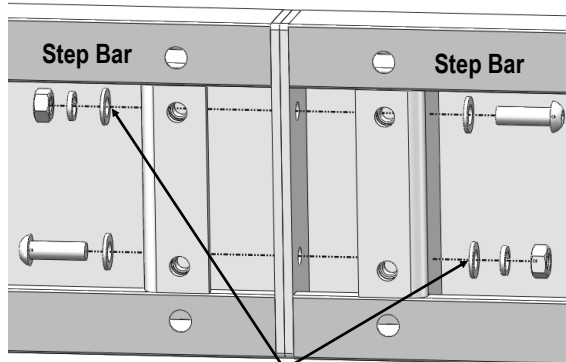
7#



STEP 1

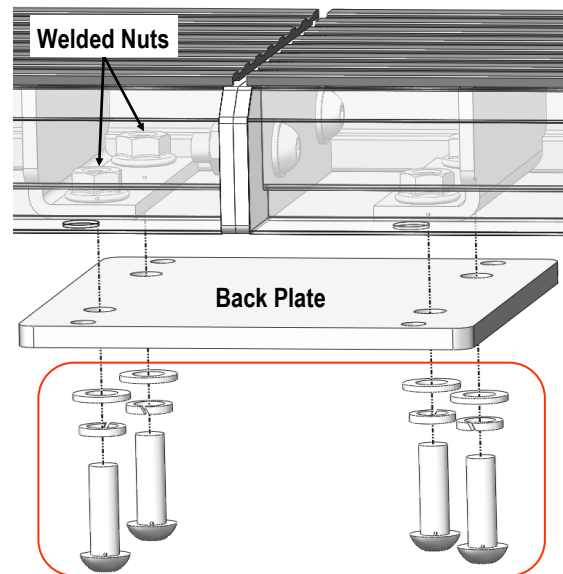
Step Bar Assembly:

1. Select and assemble (2) Step Bars with (2) M8X1.25-25mm Inner Hex Bolts, (4) M8 Flat Washers, (2) M8 Lock Washers and (2) M8 Hex Nuts, **(Fig 1)**. **NOTE: (4) Step Bars are universal.**
2. Attach (1) Back Plate to the bottom of the installed (2) Step Bars with (4) M8X1.25-25mm Inner Hex Bolts, (4) M8 Flat Washers, (4) M8 Lock Washers, **(Fig 2)**.
3. Install (1) Plastic Cover to cover the joint of (2) Step bars with (4) Plastic Rivets, **(Fig 3)**.
4. Repeat to assemble the other (2) Step Bars.



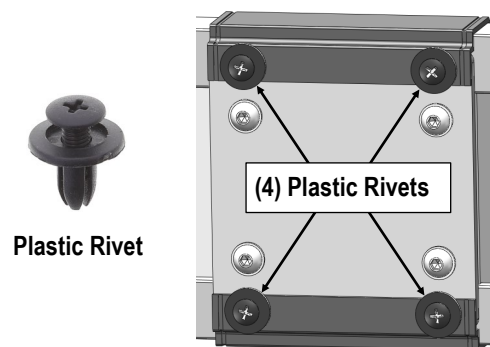
- (2) M8X1.25-25mm Inner Hex Bolts
- (4) M8 Flat Washers
- (2) M8 Lock Washers
- (2) M8 Hex Nuts

(Fig 1) Step Bars Assembly



- (4) M8X1.25-25mm Inner Hex Bolts
- (4) M8 Flat Washers
- (4) M8 Lock Washers

(Fig 2) Back Plate Installation



Plastic Rivet

(Fig 3) Plastic Cover Installation
(Bottom View)

Assembled Step Bars

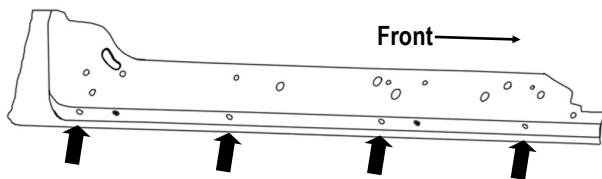




STEP 2

Start the installation from the driver side of the vehicle. Locate the 6 plugs along the bottom edge of the body panel. Mounting Brackets will bolt to the 1st, 3rd, 4th and 6th threaded mounting holes, (**Fig 4**). Remove the plastic plugs from each mounting location. Directly above each threaded insert is a top mounting location on the side of the body panel.

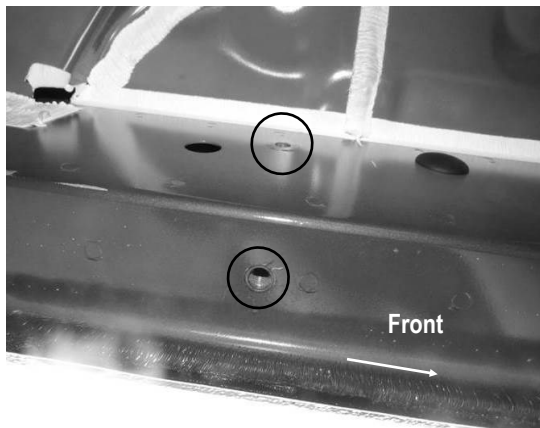
NOTE: * It will be helpful to determine the mounting holes to hold a Mounting Bracket up in place along the body.
* Thread (1) M8 Hex Bolt into the threaded inserts to clear the paint as required.



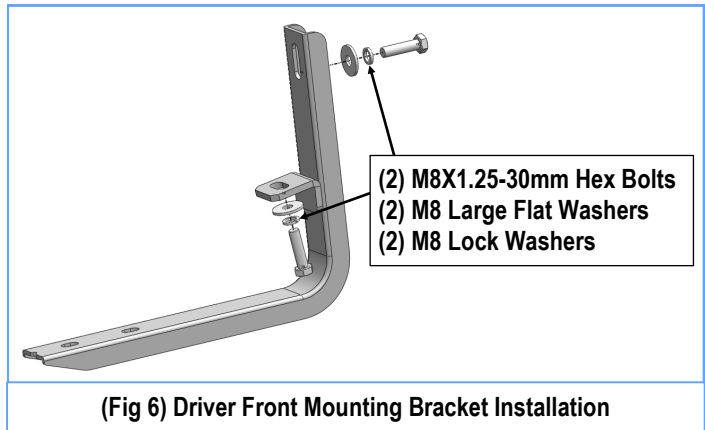
(Fig 4) Driver Side Mounting Locations

STEP 3

Start from the Driver side Front Mounting location, (**Fig 5**). Bolt the Driver Front Mounting Bracket to the factory threaded holes with (2) M8X1.25-30mm Hex Bolts, (2) M8 Large Flat Washers and (2) M8 Lock Washers, (**Fig 6**). Do not fully tighten hardware at this time.



(Fig 5) Driver Side Front Mounting Location

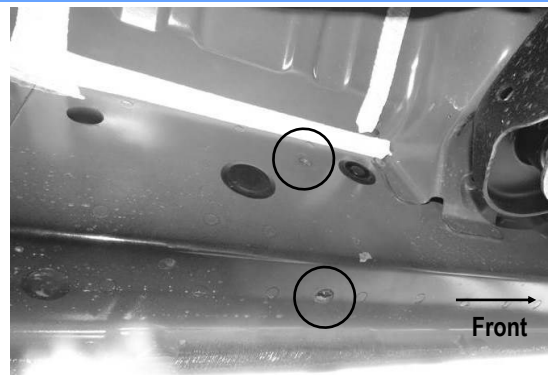


(Fig 6) Driver Front Mounting Bracket Installation

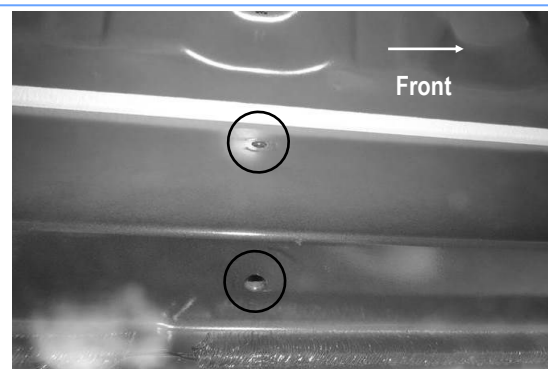
STEP 4

Move to Driver 3rd & 4th Mounting locations, (**Figs 7 & 8**). Repeat **Step 3** to install the other (2) Mounting Brackets. Do not fully tighten hardware at this time.

Note: (6) Mounting Brackets are universal.



(Fig 7) Driver 3rd Mounting Location

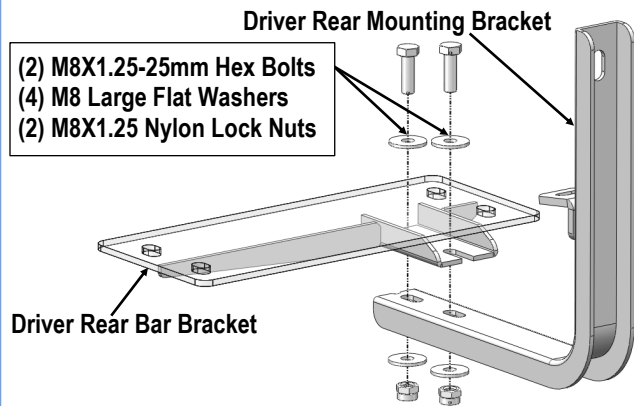


(Fig 8) Driver 4th Mounting Location



STEP 5

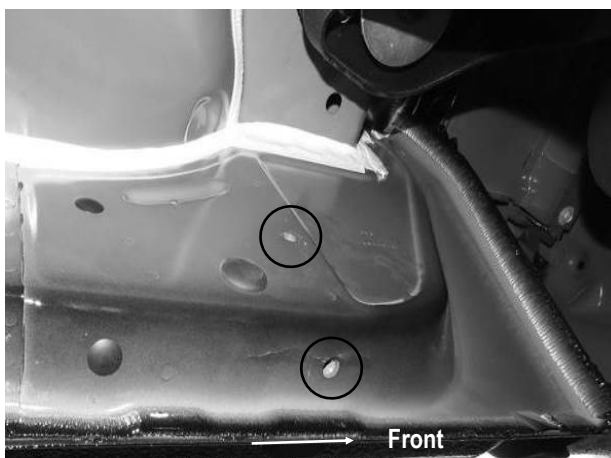
Assemble the Driver Rear Bar Bracket and the Driver Rear Mounting Bracket with (2) M8X1.25-25mm Hex Bolts, (4) M8 Large Flat Washers, (2) M8X1.25 Nylon Lock Nuts, (**Fig 9**). Do not fully tighten hardware at this time.



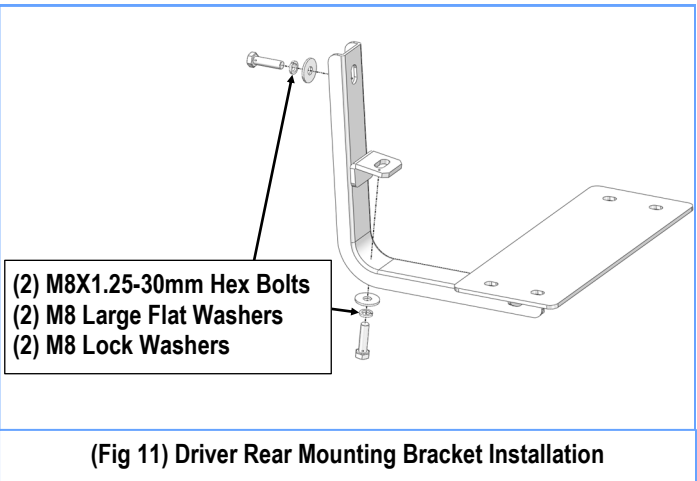
(Fig 9) Driver Rear Brackets Assembly

STEP 6

Move to Driver side Rear Mounting location, (**Fig 7**). Install the assembled Driver Rear Mounting Bracket with (2) M8X1.25-30mm Hex Bolts, (2) M8 Flat Washers and (2) M8 Lock Washers (**Fig 8**). Do not fully tighten hardware at this time.



(Fig 10) Driver Side Rear Mounting Location



(Fig 11) Driver Rear Mounting Bracket Installation

STEP 7

Once all (4) Driver side mounting brackets are installed, then proceed to the Step Bar installation. (**Figs 12 & 13**)

- (1) Select (1) Slider and (2) M8X1.25-35mm Carriage Bolts;
- (2) Install (2) M8X1.25-35mm Carriage Bolts in (1) Slider.
- (3) Slide the Slider (with carriage bolts) to the **Step Bar**.
- (4) Repeat to install the other (3) sliders to the step bar.
- (5) Attach the Step Bar (with the Sliders) onto the installed mounting brackets. Position the Sliders to the installed brackets. Secure the Step Bar to the installed Brackets by using (10) M8 Large Flat Washers and (10) M8 Nylon Lock Nuts and (5) Sliders, (**Fig 13**). Do not fully tighten hardware at this time.

Note: The Sliders are packed with the Step Bars.

Level and adjust the Step Bar and fully tighten all hardware.

Repeat **Steps 2-7** for the other side Step Bar installation. **The installation is completed!!!**



Scan for
Installation Video

