

iBoard®

iBoard® by APS

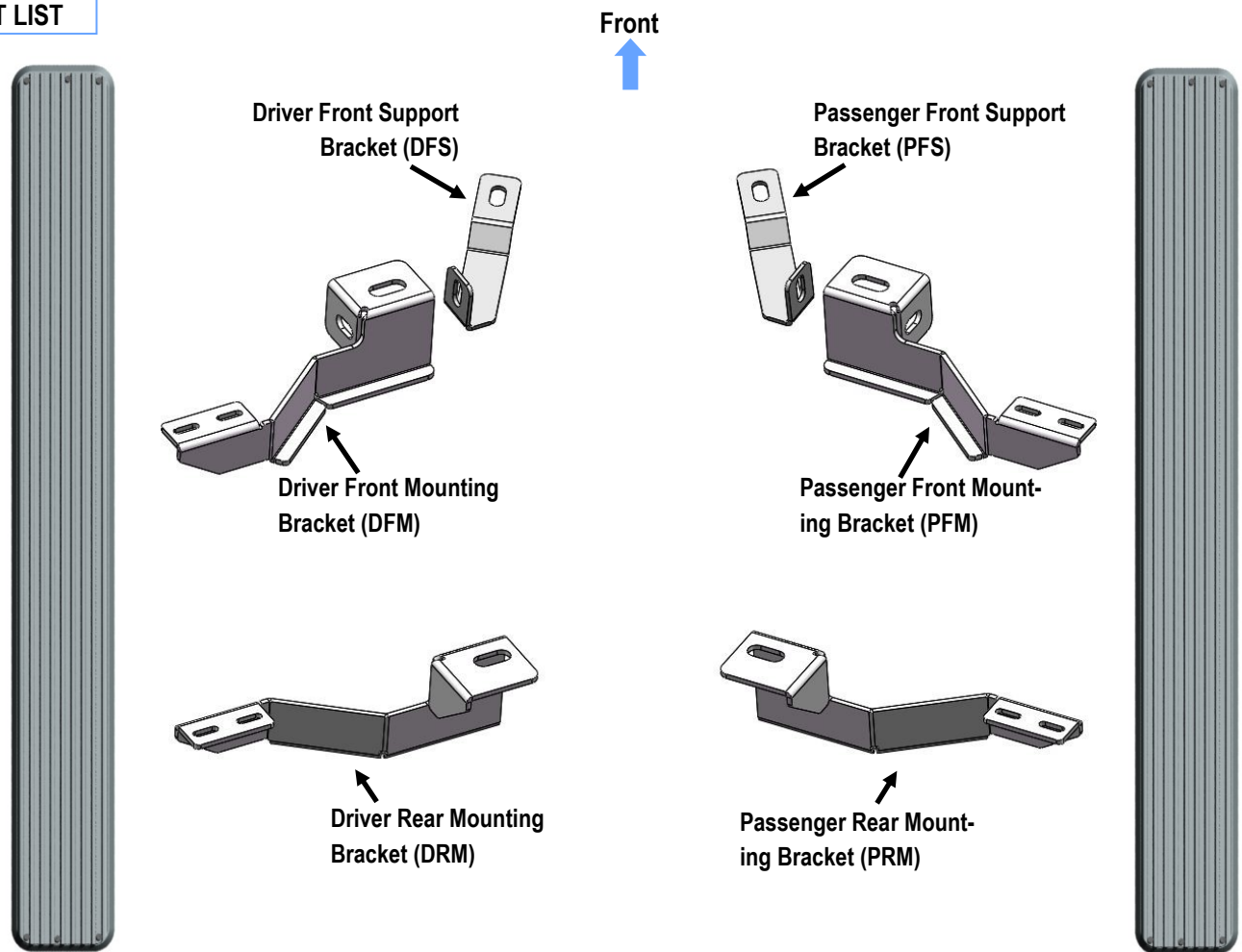
PART#: IB-019&020

READ INSTRUCTIONS CAREFULLY BEFORE STARTING INSTALLATION. REMOVE CONTENTS FROM BOX AND VERIFY ALL PARTS ARE PRESENT. ASSISTANCE IS RECOMMENDED.

*BODY FRAME MOUNT
*NO DRILLING REQUIRED

Fastener Size	Tightening Torque (ft-lbs)	Required
6mm	6-7	√
8mm	16-18	X
10mm	31-32	X
12mm	56-58	√
14mm	92-94	√

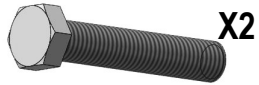
PART LIST



Customer Support: info@iboardauto.com

iBoard®

Hardware Package A (For Bracket Installation)



X2

M12X1.75-120mm Hex Bolt



X2

M12X1.75-30mm Hex Bolt



X4

M14 Large Flat Washer



X8

M12 Large Flat Washer



X4

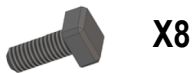
M12 Lock Washer



X4

M12 Hex Nut

Hardware Package B (For Aluminum Step Bar Installation Only, Not Supply to Stainless Steel Step Bar)



X8

M6X1-20mm Square Head Bolt



X8

M6 Large Flat Washer



X8

M6 Nylon Lock Nut

Hardware Package C (For Stainless Steel Step Bar Installation Only, Not Supply to Aluminum Step Bar)



X8

M6X1-20mm Hex Bolt



X8

M6 Lock Washer



X8

M6 Flat Washer

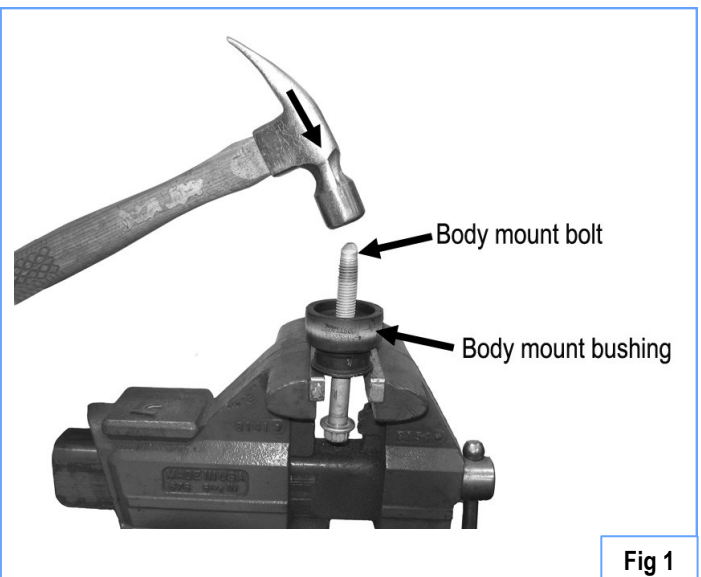
STEP 1

Start installation from the driver side front of the vehicle. Remove the factory front body mount bolt from the underside of the cab.

NOTE: Factory body mount bolts will need to be driven out of and back into the steel washer molded into the rubber bushing. Take precautions to avoid damage to the threads or the washer and bushing, (Fig 1).

STEP 2

Locate the Driver Front Mounting Bracket (DFM) and bolt it to the vehicle using the factory body mount bolt. **NOTE:** Brackets mount over bushings. Do not fully tighten at this time.

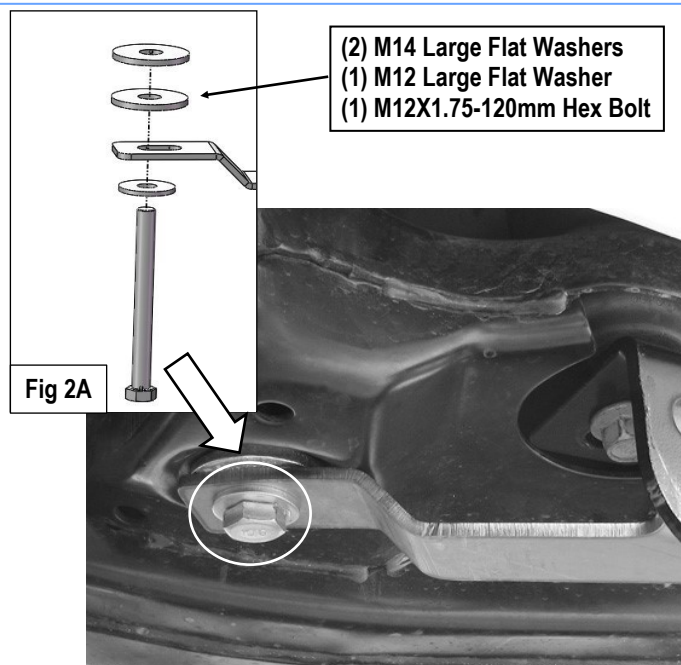


iBoard®

STEP 3

Select Driver Front Support Bracket (**DFS**) and insert (1) M12X1.75-120mm Hex Bolt with (1) M12 Large Flat Washer through the mounting slot. Place (2) M14 Large Flat Washers onto the M12 Hex Bolt between the Support Bracket and the factory body mount, (**Fig 2A & 2B**).

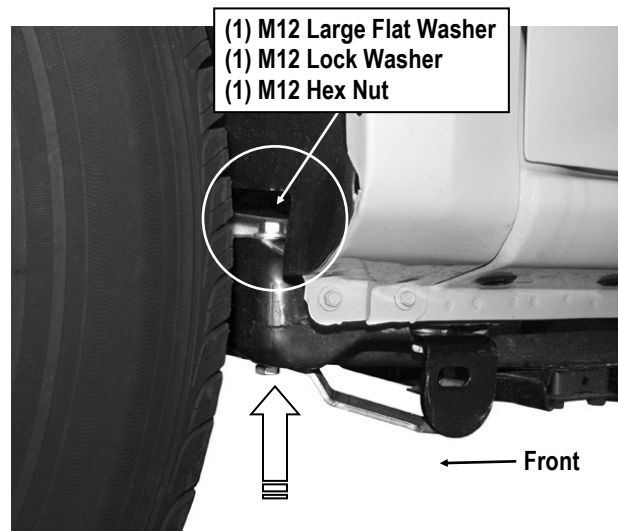
Insert the M12 Hex Bolt up through the holes in the factory body mount and secure with (1) M12 Large Flat Washer, (1) M12 Lock Washer and (1) M12 Hex Nut, (**Fig 3**). Do not fully tighten hardware at this time.



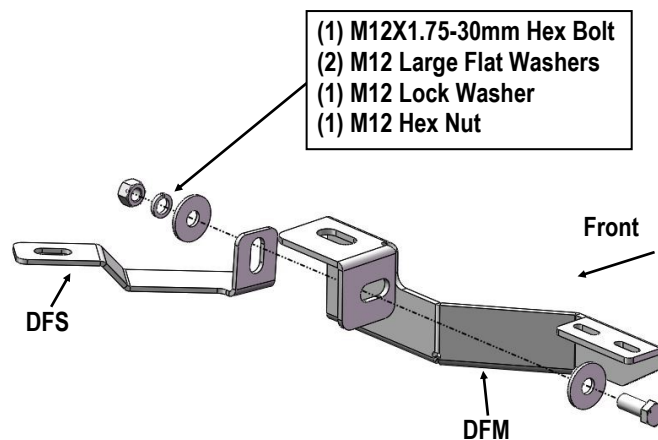
(Fig 2B) Driver Side Front Support Bracket Installation

STEP 4

Line up the mounting hole in the Driver Front Support Bracket with the hole in the Driver Front Mounting Bracket, (**Fig 4**). Attach the Support Bracket to the Mounting Bracket use the included (1) M12X1.75-30mm Hex Bolt, (2) M12 Large Flat Washers, (1) M12 Lock Washers and (1) M12 Hex Nut, (**Fig 4**). Do not fully tighten hardware at this time.



(Fig 3) Driver Side Front Support Bracket Installation



(Fig 4) Driver Side Front Mounting Bracket Assembly

STEP 5

Move to the rear mounting location. Locate the driver side rear Mounting Bracket, repeat **Steps 1-2** for Driver Rear Mounting Bracket (**DRM**) installation. Do not fully tighten hardware at this time.

iBoard®

STEP 6

Once all (2) mounting brackets are installed, then proceed to the Step Bar installation. According to the style of Step Bar proceed to the correct installation STEPS.

Note: Aluminum Step Bar refer to STEP 7; Stainless Steel Step Bar skip to STEP 8.

STEP 7

Aluminum Step Bar Installation:

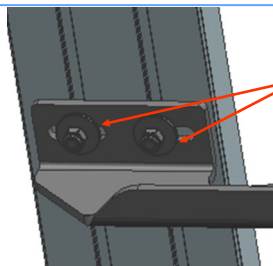
Select a **Aluminum Step Bar**. Slip (2) M6x1-20mm Square Head Bolts into each bottom channel (**Fig 5**). Carefully position the Step Bar onto the (2) Mounting Brackets.

IMPORTANT: Do not slide the Step Bar on the Brackets or the bottom surface of the board will be damaged. Attach the Step Bar to each Mounting Brackets with (2) M6x1-20mm Square Head Bolts, (2) M6 Large Flat Washers and (2) M6 Nylon Lock Nuts, (**Fig 6**). Do not fully tighten at this time.

Level and adjust the Step Bar and fully tighten all hardware. Repeat **Steps 1-7** for the other side Step Bar installation. **The installation is completed!!!**



(Fig 5) Slip M6X1-20mm Square Head Bolts Into The Bottom Channels



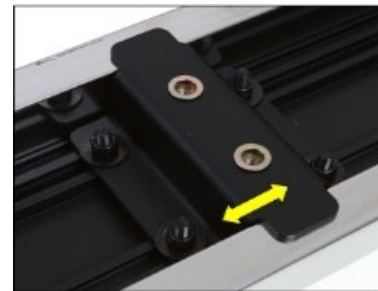
(2) M6X1-20mm Square Head Bolts
(2) M6 Large Flat Washers
(2) M6 Nylon Lock Nuts
IMPORTANT: TORQUE FOR 6MM FASTNERS MUST LESS THAN 6-7 FT-LBS OR THE FASTNERS WILL BE DAMAGED!

(Fig 6) Running Board Installed Onto Mounting Bracket

STEP 8

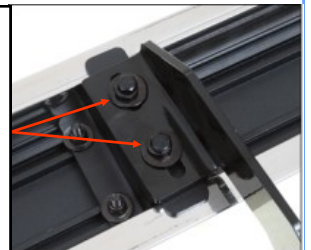
Stainless Steel Step Bar Installation:

Select a **Stainless Steel Step Bar** (with the U-Sliders installed on the Bar). Loose the U-Sliders, reposition the U-Sliders onto the board according to the (2) Installed Mounting Brackets location, (**Fig 7**). Re-secure the U-Sliders on the Step Bar. Attach the Step Bar to the installed Mounting Brackets with (4) M6X1-20mm Hex Bolts, (4) M6 Large Flat Washers & (4) M6 Lock Washers, (**Fig 8**). Do not fully tighten hardware at this time. Level and adjust the Step Bar and fully tighten all hardware. Repeat **Steps 1-6 and 8** for the other side Step Bar installation. **The installation is completed!!!**



(Fig 7) Slide & line up the U-Slider with the installed mounting brackets along bottom channel

(2) M6X1-20mm Hex Bolts
(2) M6 Large Flat Washers
(2) M6 Lock Washers
IMPORTANT: TORQUE FOR 6MM FASTNERS MUST LESS THAN 6-7 FT-LBS OR THE FASTNERS WILL BE DAMAGED!



(Fig 8) Step Bar Installed On Bracket Installed

Attention

Do periodic inspections to the installation to make sure that all hardware is secure and tight.

In order to protect your bars/boards, please use only mild soap/non-abrasive products for cleaning.