

IARMOR EDGE™

PART#: IA-W098

BEFORE INSTALLATION

REMOVE CONTENTS FROM BOX. VERIFY ALL PARTS ARE PRESENT. READ INSTRUCTIONS CAREFULLY BEFORE STARTING INSTALLATION. ASSISTANCE IS RECOMMENDED. THANK YOU FOR CHOOSING OUR PRODUCT!

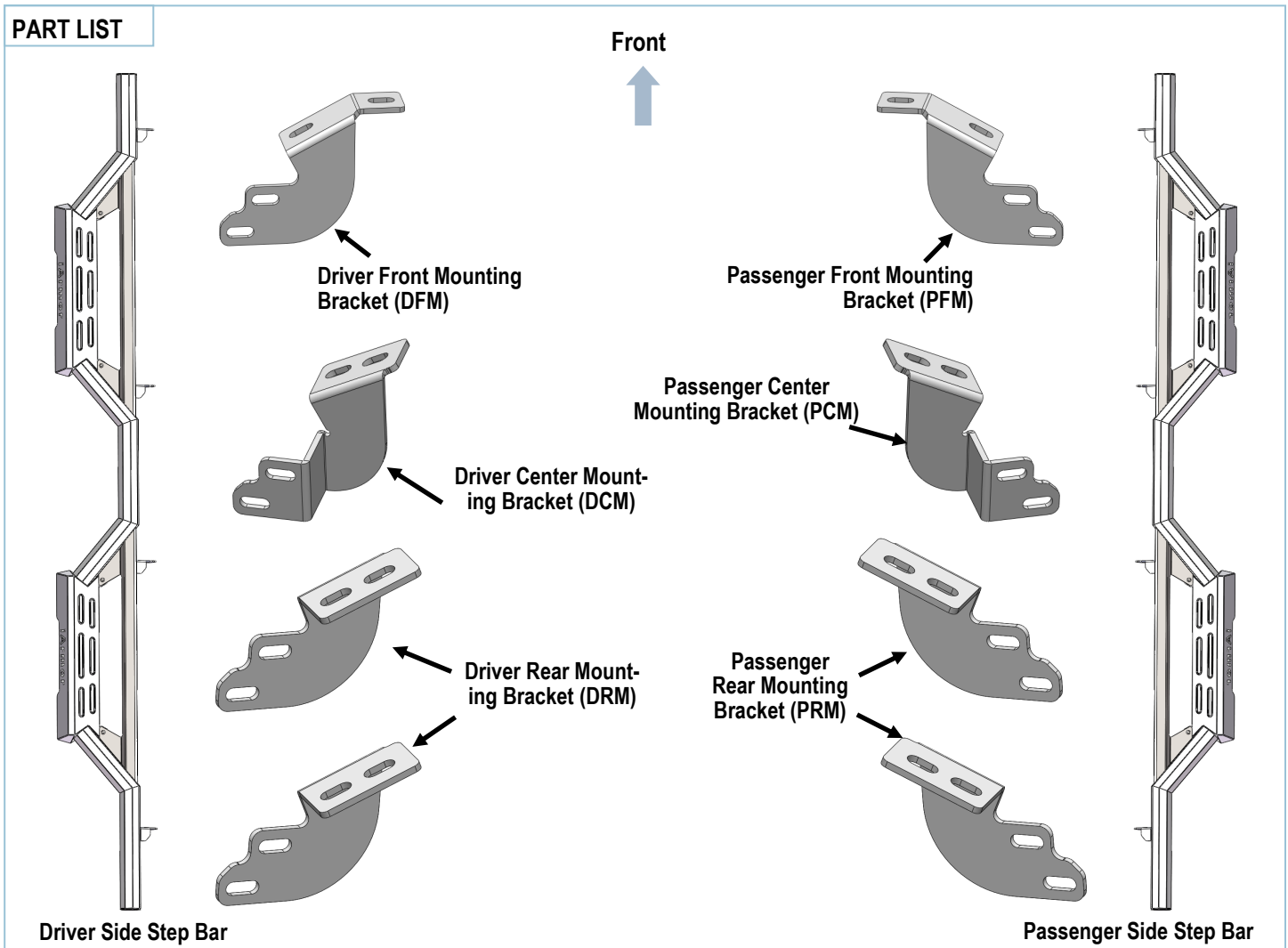
*ROCKER PANEL MOUNT

*DRILLING/TRIMMING NOT REQUIRED

Torque Value

Fastener Size	Tightening Torque (ft-lbs)	Required
6mm	6-7	X
8mm	16-18	√
10mm	31-32	√
12mm	56-58	X
14mm	92-94	X







PART LIST



iArmor[®]

Hardware Package (For Brackets & Step Bars Installation)

Item	QTY	Description	Item	QTY	Description
1#	16	M8X1.25-30 Hex Bolts	4#	16	M10X1.5-25 Hex Bolts
2#	16	M8 Large Flat Washers	5#	32	M10 Flat Washers
3#	16	M8 Lock Washers	6#	16	M10X1.5 Nylon Lock Nuts

					
1#	2#	3#	4#	5#	6#

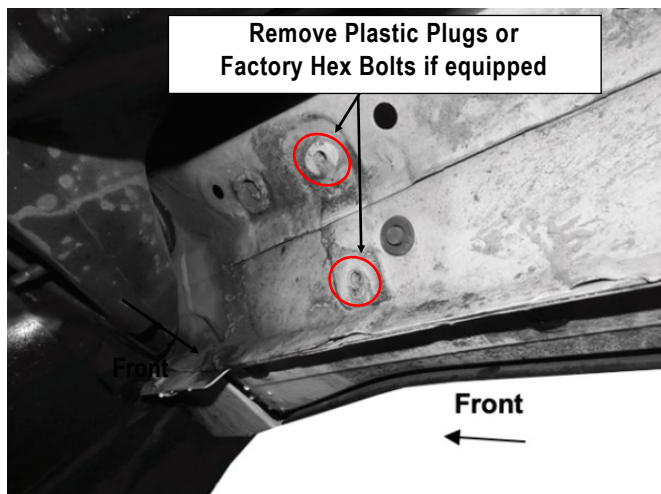
iArmor[®]

The instruction here is for your reference only. We strongly recommend the professional installer for best result. We are not responsible for any damage caused by the installation.

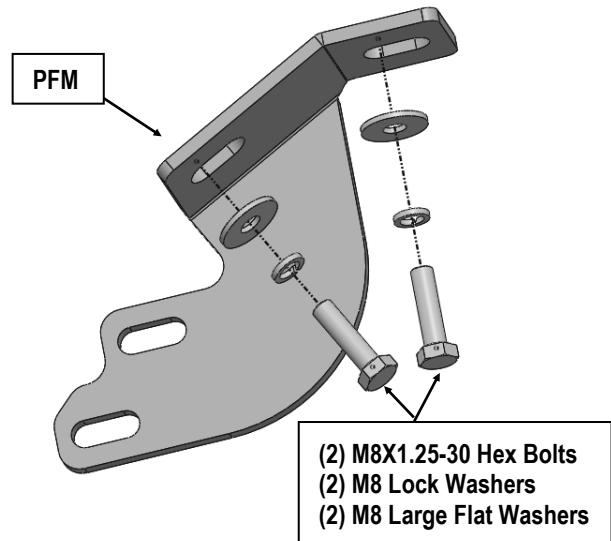
STEP 1

Starting on the Passenger side front of the vehicle, remove the plastic plugs or hex bolts covering the (2) threaded holes in the body panel, (Fig 1).

Note: Installation will use the 1st, 2nd, 3rd and 4th mounting locations for Mounting Brackets. Attach the Passenger Front Mounting Bracket (PFM) to the vehicle using the included (2) M8X1.25-30 Hex Bolts, (2) M8 Lock Washers and (2) M8 Large Flat Washers, (Fig 2). Do not fully tighten hardware at this time.



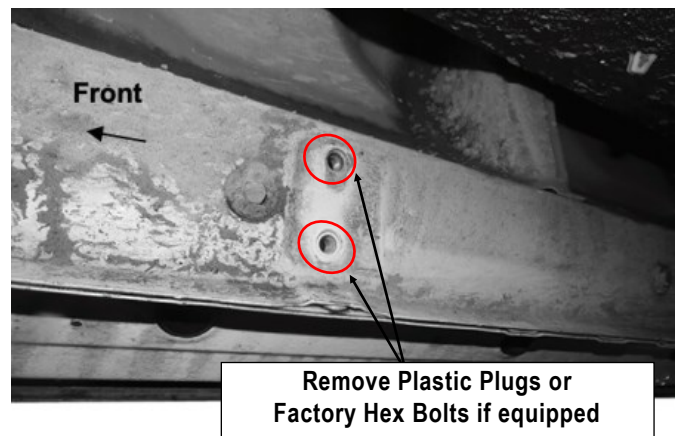
(Fig 1) Passenger Side Front (1st) Mounting Location



(Fig 2) Passenger Front Mounting Bracket Installation

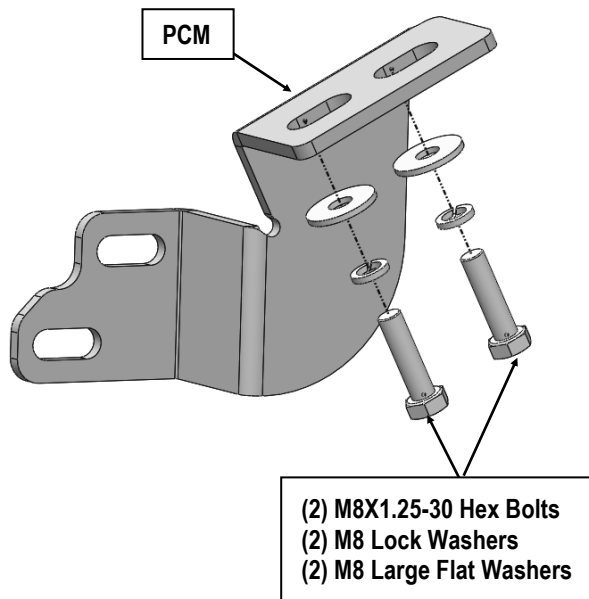
STEP 2

Next, move to the 2nd mounting location (Fig 3). Select the Passenger Center Mounting Bracket (PCM) (Fig 4). Repeat **Step 1** to install PCM. Do not fully tighten hardware at this time.

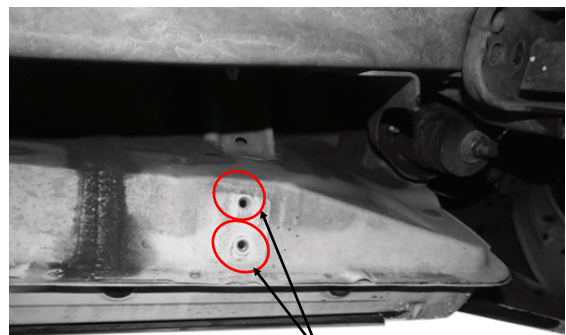


(Fig 3) Passenger Side Center (2nd) Mounting Location

iArmor[®]

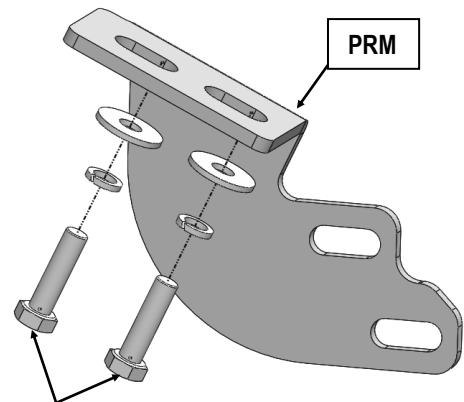


(Fig 4) Passenger Side Center Bracket Installation



Remove Plastic Plugs or
Factory Hex Bolts if equipped

(Fig 6) Passenger Rear (4th) Mounting Location

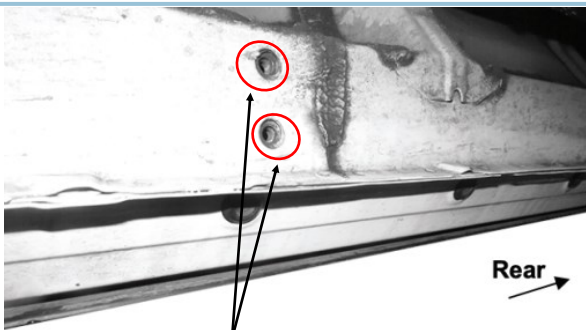


(2) M8X1.25-30 Hex Bolts
(2) M8 Lock Washers
(2) M8 Large Flat Washers

(Fig 7) Passenger Rear Mounting Brackets Installation

STEP 3

Move to the Passenger Side 3rd and 4th Mounting Locations, (Figs 5&6). Repeat **Step 1** to install (2) Passenger Rear Mounting Brackets (PRM), (Fig 7). Do not fully tighten hardware at this time.



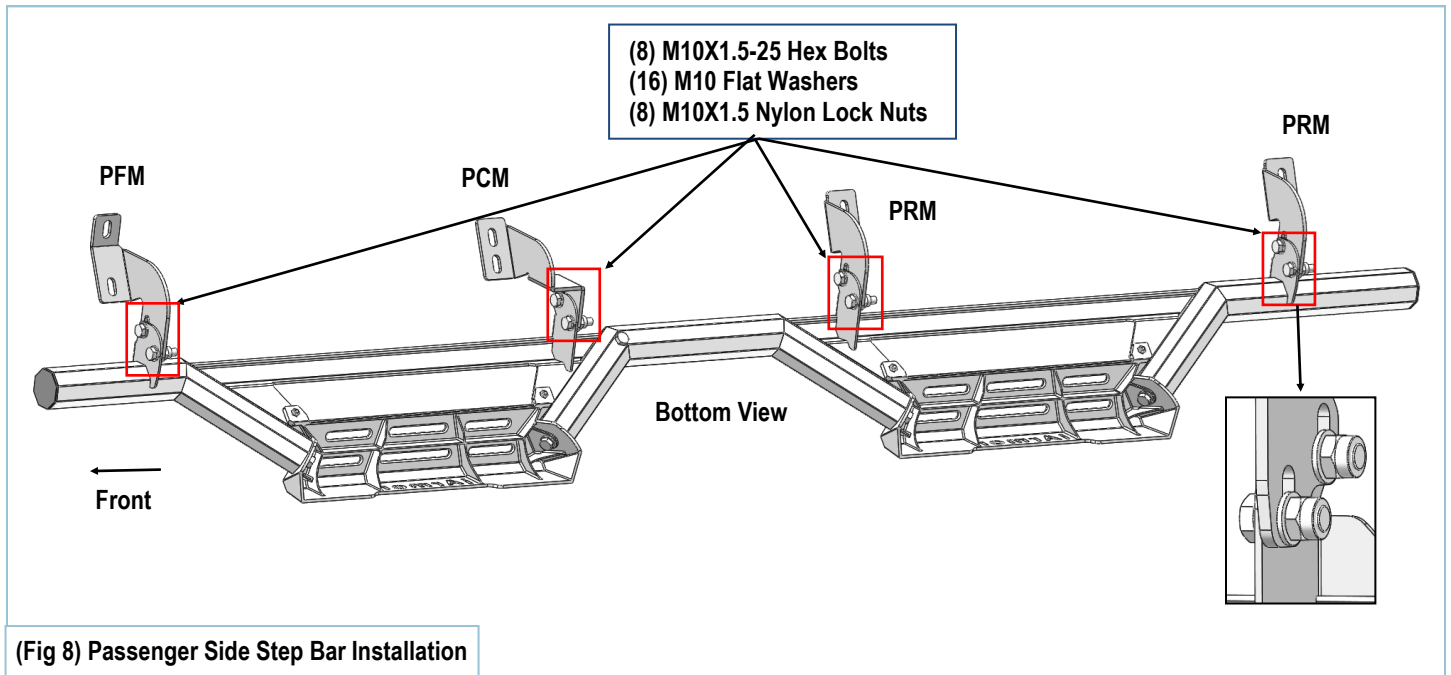
Remove Plastic Plugs or
Factory Hex Bolts if equipped

(Fig 5) Passenger Rear (3rd) Mounting Location

STEP 4

Once all (4) Mounting Brackets have been installed, attach the Passenger Side Step Bar to the Mounting Brackets with (8) M10X1.5-25 Hex Bolts, (16) M10 Flat Washers and (8) M10X1.5 Nylon Lock Nuts, (Fig 8). Do not fully tighten hardware at this time.

iArmor®



(Fig 8) Passenger Side Step Bar Installation

STEP 5

Properly level and adjust the Step Bar and fully tighten all hardware.

STEP 6

Move to the other side of the vehicle. Repeat **Steps 1-5** for the other Side Step Bar installation.

Attention

Do periodic inspections to the installation to make sure that all hardware is secure and tight.
In order to protect your bars/boards, please use mild soap/non-abrasive products for cleaning only.