

iArmor®

IARMOR EDGE™

PART#: IA-W097

BEFORE INSTALLATION

REMOVE CONTENTS FROM BOX. VERIFY ALL PARTS ARE PRESENT. READ INSTRUCTIONS CAREFULLY BEFORE STARTING INSTALLATION. ASSISTANCE IS RECOMMENDED. THANK YOU FOR CHOOSING OUR PRODUCT!

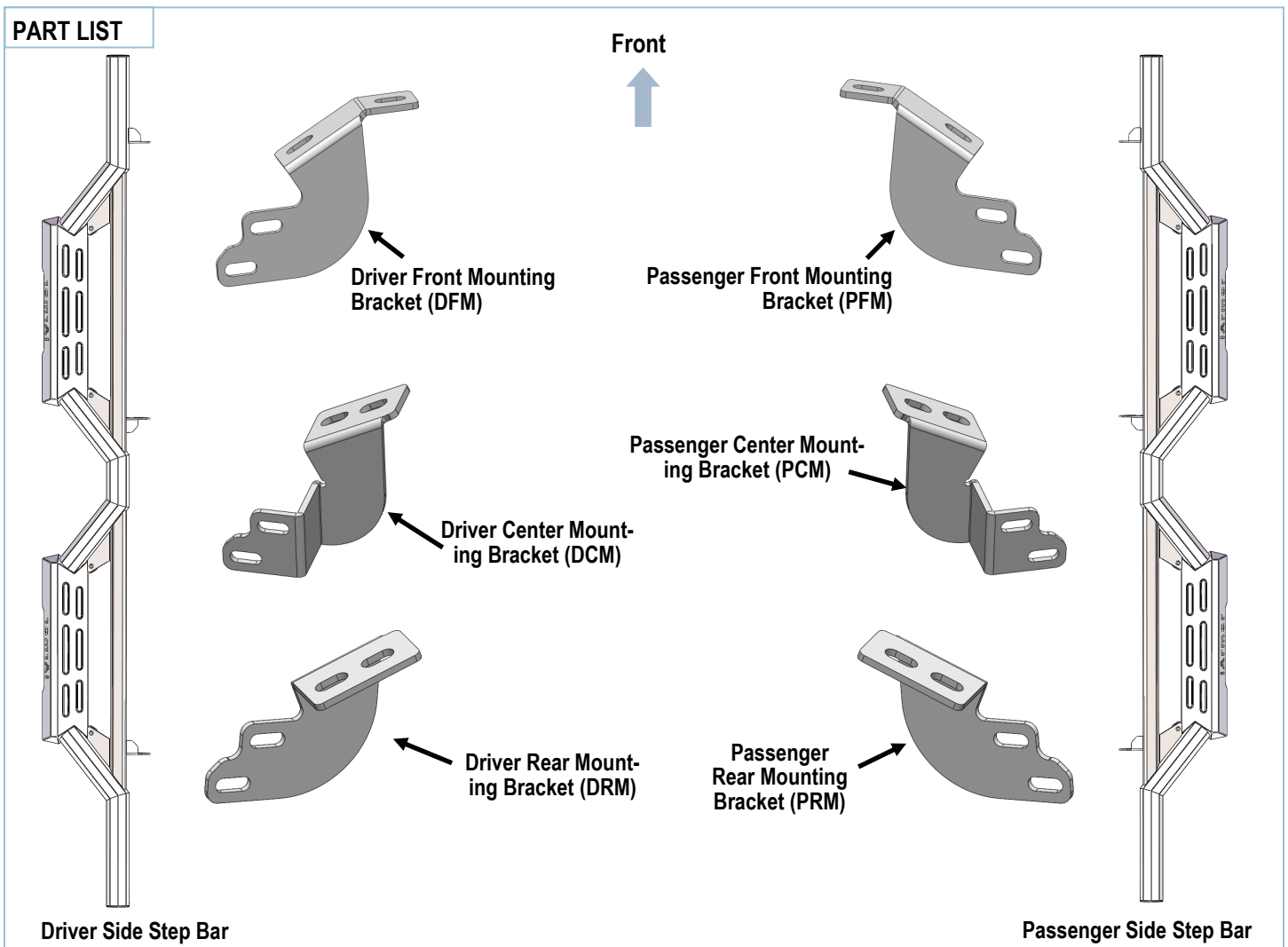
*ROCKER PANEL MOUNT

*DRILLING/TRIMMING NOT REQUIRED

Torque Value

Fastener Size	Tightening Torque (ft-lbs)	Required
6mm	6-7	X
8mm	16-18	√
10mm	31-32	√
12mm	56-58	X
14mm	92-94	X

PART LIST









Customer Support: info@iarmorauto.com

iArmor[®]

Hardware Package (For Brackets & Step Bars Installation)

Item	QTY	Description	Item	QTY	Description
1#	12	M8X1.25-30 Hex Bolts	4#	12	M10X1.5-25 Hex Bolts
2#	12	M8 Large Flat Washers	5#	24	M10 Flat Washers
3#	12	M8 Lock Washers	6#	12	M10X1.5 Nylon Lock Nuts

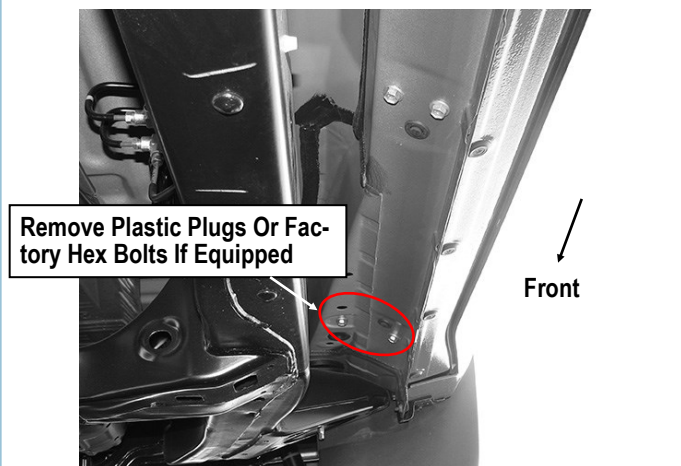
					
1#	2#	3#	4#	5#	6#

iArmor®

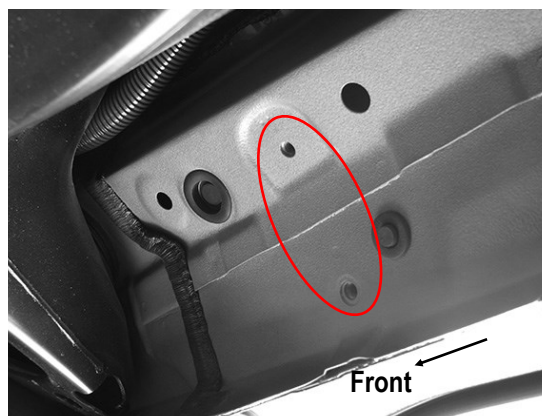
The instruction here is for your reference only. We strongly recommend the professional installer for best result. We are not responsible for any damage caused by the installation.

STEP 1

Start on the Passenger side front of the vehicle. Remove the plastic plugs or hex bolts covering the (2) threaded holes in the body panel, (Figs 1 & 2).



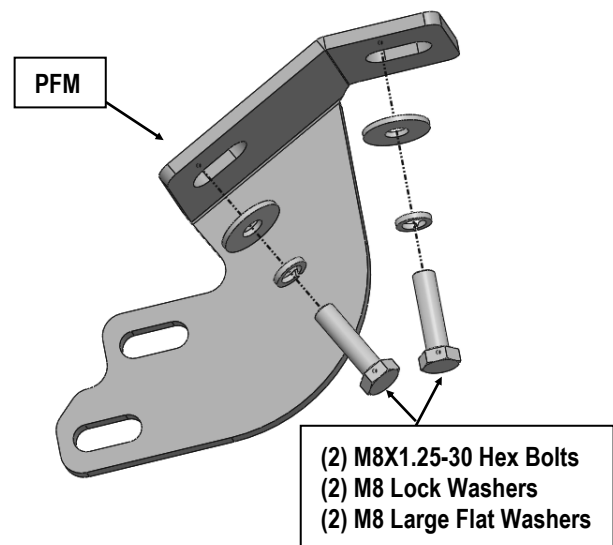
(Fig 1) Passenger Side Front Mounting Location



(Fig 2) Passenger Side Front Mounting Location

STEP 2

Select the Passenger Front Mounting Bracket (PFM). Attach the bracket to the vehicle with the included (2) M8X1.25-30 Hex Bolts, (2) M8 Lock Washers and (2) M8 Large Flat Washers, (Fig 3). Do not fully tighten hardware at this time.

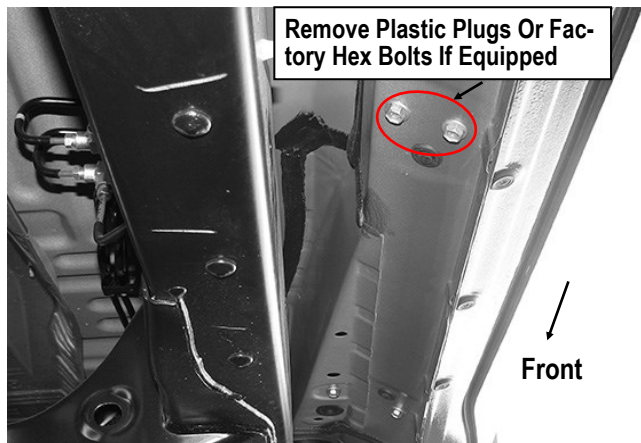


(Fig 3) Passenger Front Mounting Bracket Installation

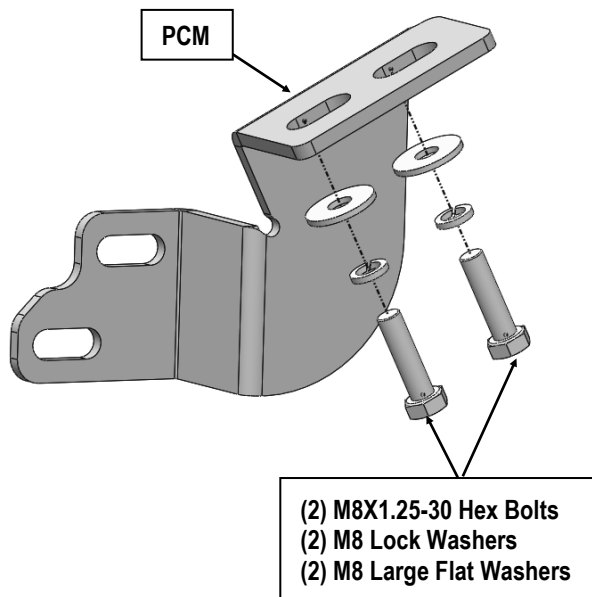
STEP 3

Move to passenger side center mounting location, (Fig 4). **NOTE:** The Tundra has (4) mounting locations along the bottom of the body. Installation will use the 1st, 2nd and 4th mounting locations only for the Mounting Brackets.

iArmor®



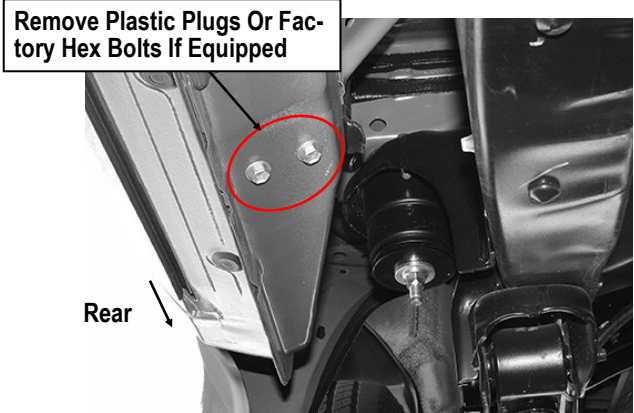
(Fig 4) Passenger Side Center Mounting Location



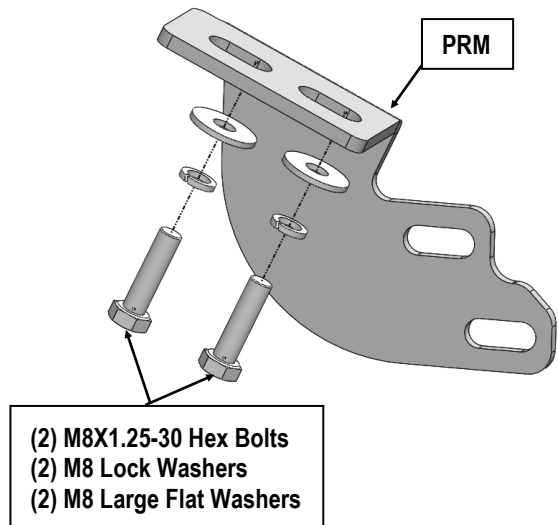
(Fig 5) Passenger Side Center Bracket Installation

STEP 4

Continue to the last mounting location at the back of the cab, (Fig 6). Repeat **Step 2** to install the Passenger Side Rear Bracket with (2) M8X1.25-30 Hex Bolts, (2) M8 Lock Washers and (2) M8 Large Flat Washers, (Fig 7).



(Fig 6) Passenger Rear (4th) Mounting Location

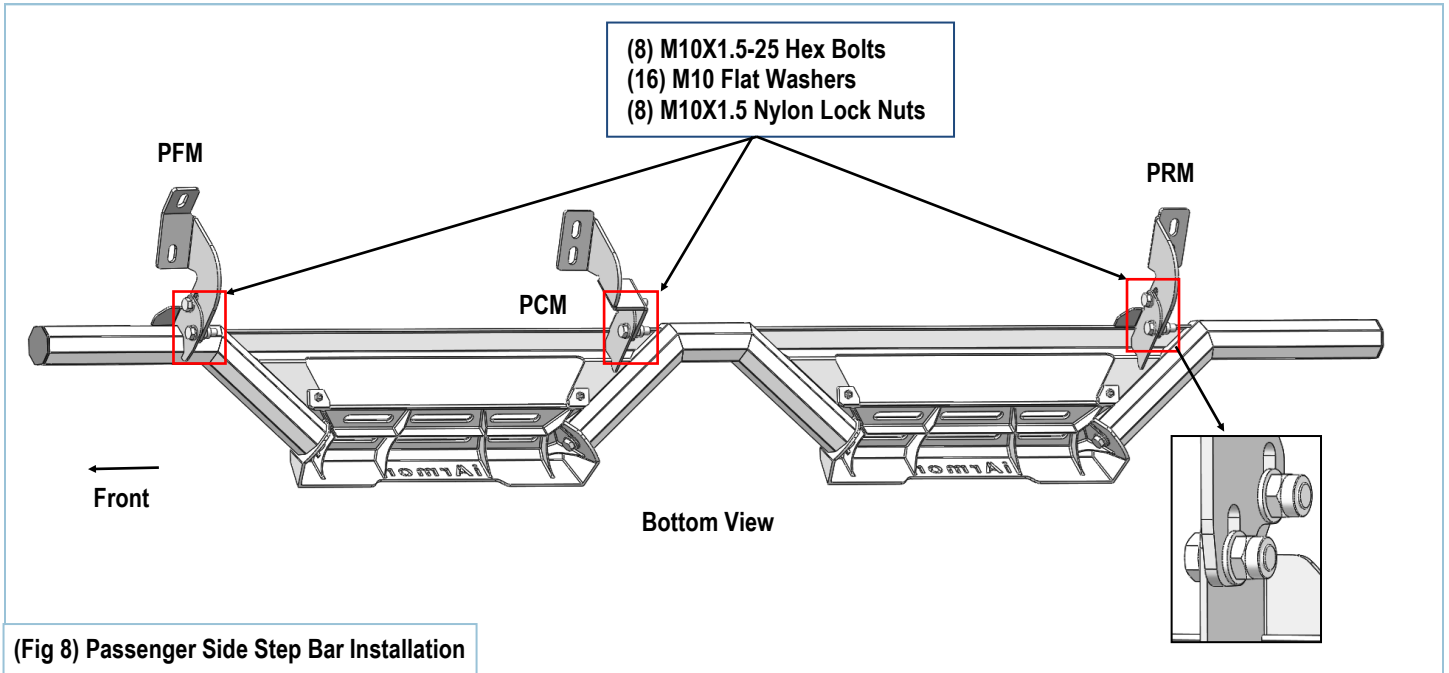


(Fig 7) Passenger Rear Mounting Bracket Installation

STEP 5

Once all (3) Mounting Brackets have been installed, attach the Passenger Side Step Bar to the Mounting Brackets using (6) M10X1.5-25 Hex Bolts, (12) M10 Flat Washers and (6) M10X1.5 Nylon Lock Nuts, (Fig 8). Do not fully tighten hardware at this time.

iArmor®



(Fig 8) Passenger Side Step Bar Installation

STEP 6

Properly level and adjust the Step Bar and fully tighten all hardware.

STEP 7

Move to the other side of the vehicle. Repeat **Steps 1-6** for the other Side Step Bar installation.

Attention

Do periodic inspections to the installation to make sure that all hardware is secure and tight.
In order to protect your bars/boards, please use mild soap/non-abrasive products for cleaning only.