

iArmor®

IARMOR EDGE™

PART#: IA-W056

BEFORE INSTALLATION

REMOVE CONTENTS FROM BOX. VERIFY ALL PARTS ARE PRESENT. READ INSTRUCTIONS CAREFULLY BEFORE STARTING INSTALLATION. ASSISTANCE IS RECOMMENDED. THANK YOU FOR CHOOSING OUR PRODUCT!

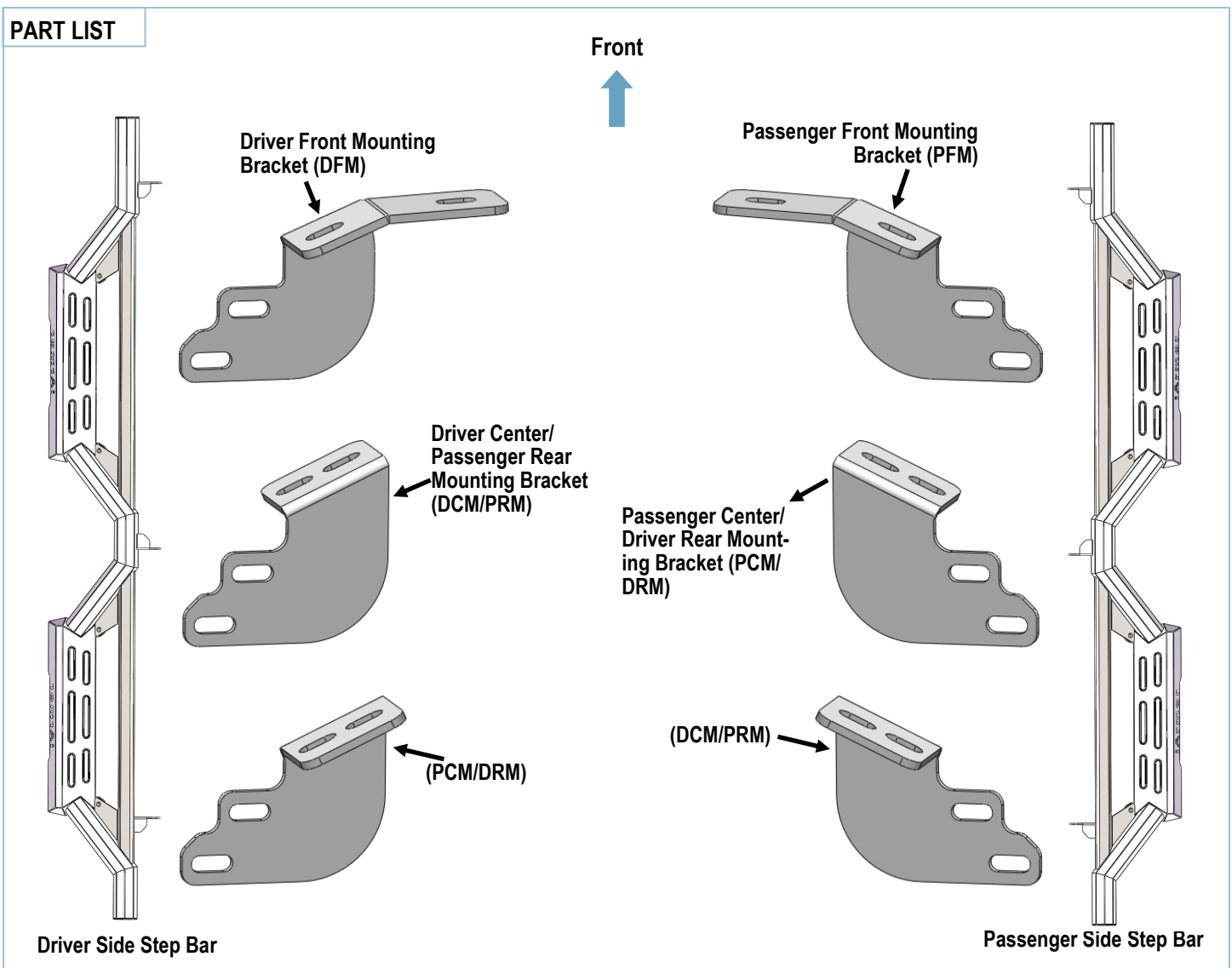
*ROCKER PANEL MOUNT

*DRILLING/TRIMMING NOT REQUIRED

Torque Value

Fastener Size	Tightening Torque (ft-lbs)	Required
6mm	6-7	X
8mm	16-18	√
10mm	31-32	√
12mm	56-58	X
14mm	92-94	X

PART LIST









Customer Support: info@iarmorauto.com

iArmor[®]

Hardware Package (For Brackets & Step Bars Installation)

Item	QTY	Description	Item	QTY	Description
1#	12	M8X1.25-30 Hex Bolts	4#	12	M10X1.5-25 Hex Bolts
2#	12	M8 Large Flat Washers	5#	24	M10 Flat Washers
3#	12	M8 Lock Washers	6#	12	M10X1.5 Nylon Lock Nuts

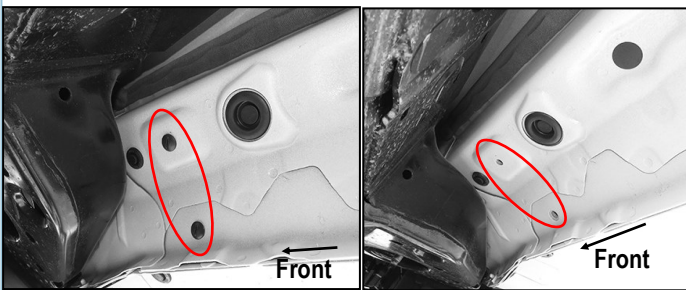
					
1#	2#	3#	4#	5#	6#

iArmor®

The instruction here is for your reference only. We strongly recommend the professional installer for best result. We are not responsible for any damage caused by the installation.

STEP 1

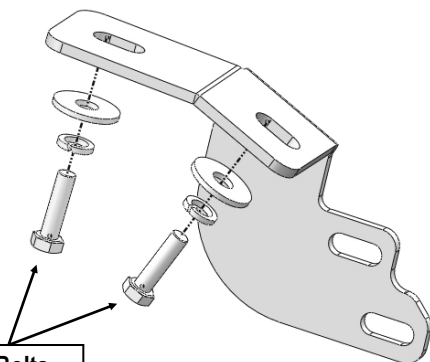
Start from the Passenger Side Front of the vehicle, remove the plastic plugs or bolts covering the threaded holes in the rocker panel if equipped, (Fig 1).



(Fig 1) Remove plastic plugs or factory hex bolts if equipped (Passenger Side Front Mounting Location)

STEP 2

Attach the Passenger Front Mounting Bracket (PFM) to the vehicle with (2) M8X1.25-30 Hex Bolts, (2) M8 Lock Washers and (2) M8 Large Flat Washers, (Fig 2). Do not fully tighten hardware at this time.

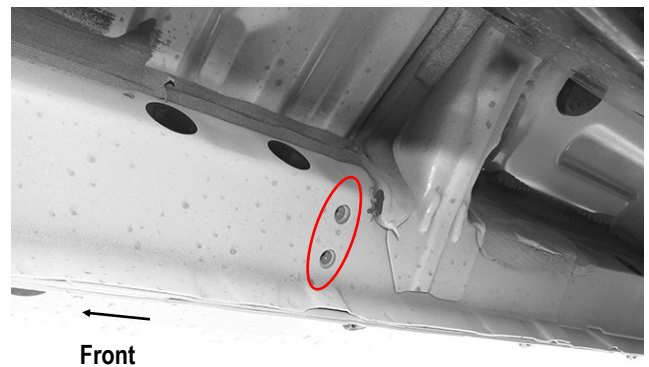


(2) M8X1.25-30 Hex Bolts
(2) M8 Lock Washers
(2) M8 Large Flat Washers

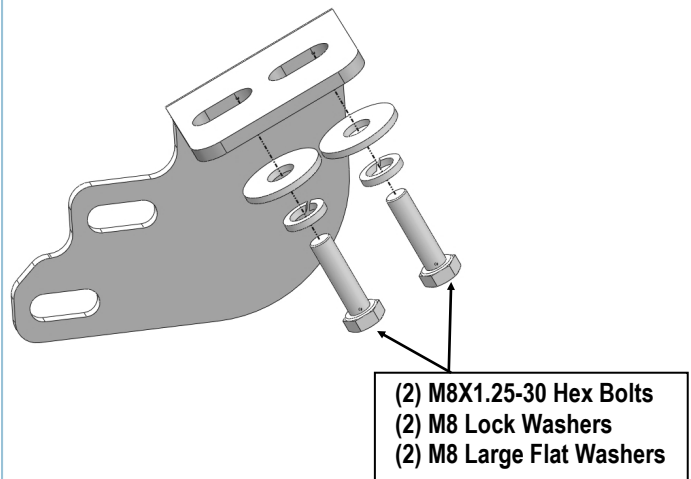
(Fig 2) Passenger Front Mounting Bracket Installation

STEP 3

Move to the Passenger Side Center Mounting location. Attach the Passenger Center Mounting Bracket (PCM/DRM) to the rocker panel with (2) M8X1.25-30 Hex Bolts, (2) M8 Lock Washers and (2) M8 Flat Washers, (Figs 3 & 4). Do not fully tighten hardware at this time.



(Fig 3) Passenger Side Center Mounting Location



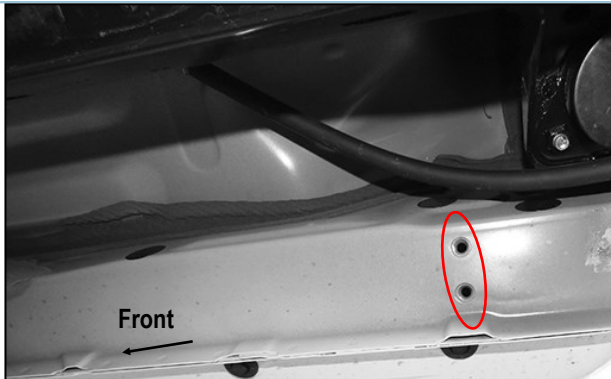
(2) M8X1.25-30 Hex Bolts
(2) M8 Lock Washers
(2) M8 Large Flat Washers

(Fig 4) Passenger Center Mounting Bracket Installation

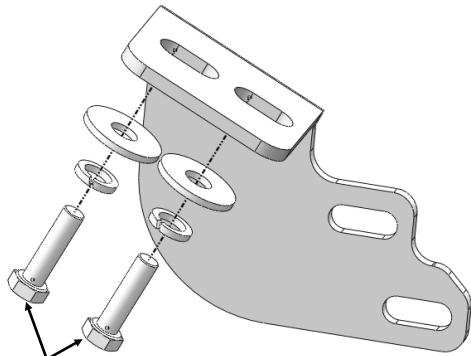
STEP 4

Move to the Passenger Side Rear Mounting location (Fig 5). Repeat Step 3 to install Passenger Rear Mounting Bracket (DCM/PRM), (Fig 6). Do not fully tighten hardware at this time.

iArmor®



(Fig 5) Passenger Side Rear Mounting Location



- (2) M8X1.25-30 Hex Bolts
- (2) M8 Lock Washers
- (2) M8 Large Flat Washers

(Fig 6) Passenger Rear Mounting Bracket Installation

STEP 5

Once all (3) Mounting Brackets have been installed, attach the Passenger Side Step Bar to the Mounting Brackets with (6) M10X1.5-25 Hex Bolts, (12) M10 Flat Washers and (6) M10X1.5 Nylon Lock Nuts, (Fig 7). Do not fully tighten hardware at this time.

Properly level and adjust the Step Bar and fully tighten all hardware.

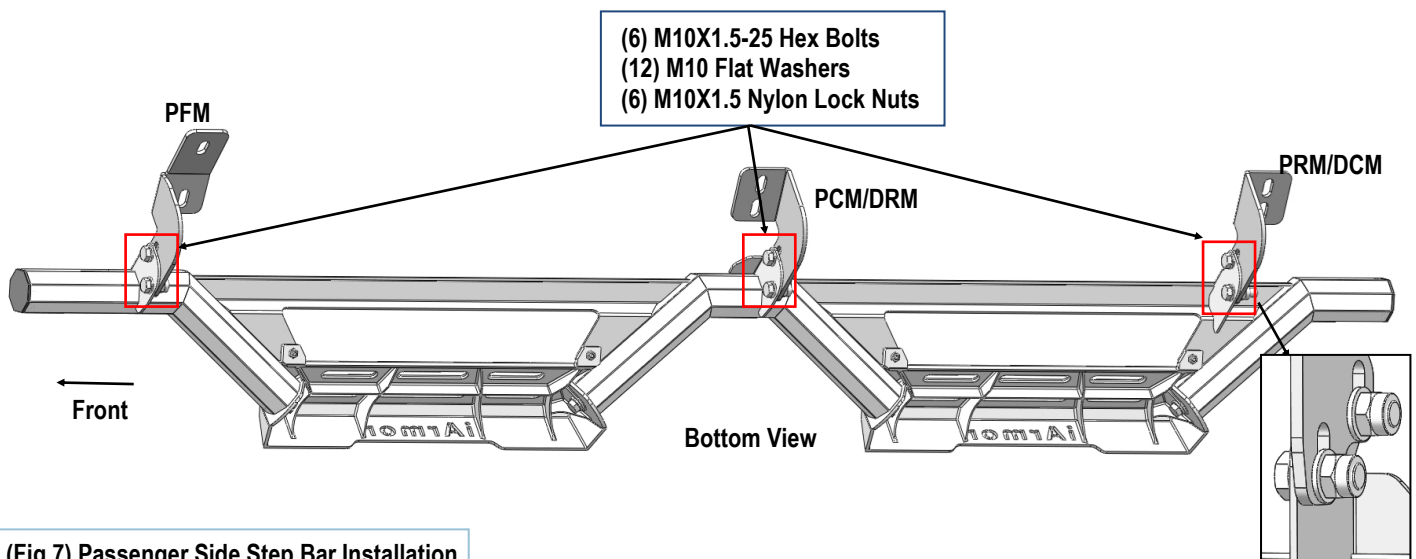
STEP 6

Move to the other side of the vehicle. Repeat **Steps 1-5** for the other Side Step Bar installation.

Attention

Do periodic inspections to the installation to make sure that all hardware is secure and tight.

In order to protect your bars/boards, please use mild soap/non-abrasive products for cleaning only.



(Fig 7) Passenger Side Step Bar Installation