

iArmor[®]

iArmor[®] by APS

PART#: IA-S058H

BEFORE INSTALLATION

REMOVE CONTENTS FROM BOX. VERIFY ALL PARTS ARE PRESENT. READ INSTRUCTIONS CAREFULLY BEFORE STARTING INSTALLATION. ASSISTANCE IS RECOMMENDED. THANK YOU FOR CHOOSING OUR PRODUCT!

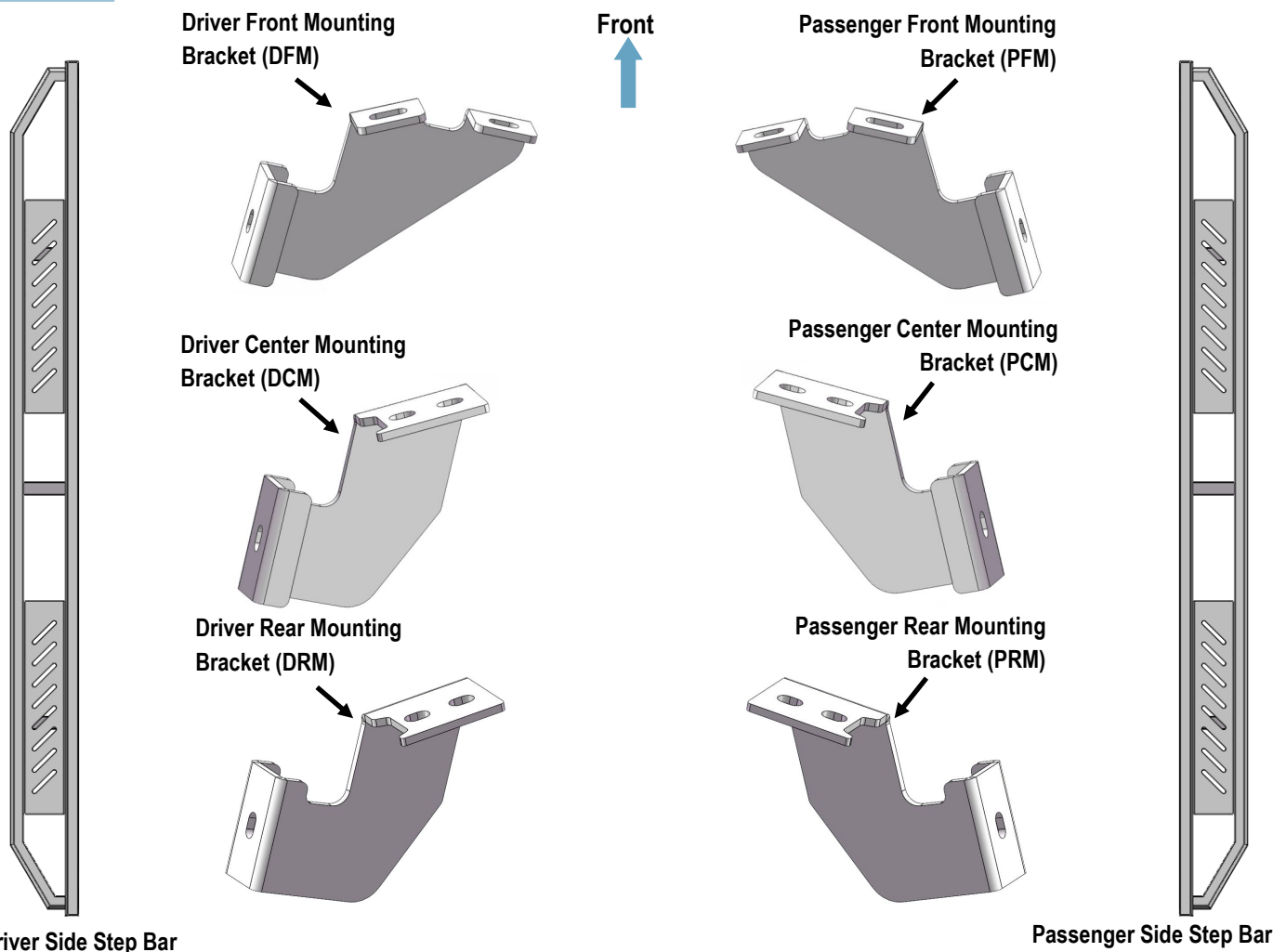
***ROCKER PANEL MOUNT**

***NO DRILLING / TRIMMING REQUIRED**

Torque Value

Fastener Size	Tightening Torque (ft-lbs)	Required
6mm	6-7	X
8mm	16-18	√
10mm	31-32	X
12mm	56-58	X
14mm	92-94	X

PART LIST

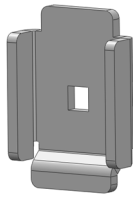


Customer Support: info@iarmorauto.com

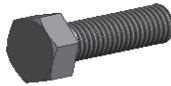
iArmor®

Hardware Package A (For Bracket Installation)

Item	QTY	Description	Item	QTY	Description
1#	6	U Brackets	3#	12	M8 Large Flat Washers
2#	12	M8X1.25-25mm Hex Bolts	4#	12	M8 Lock Washers



1 #



2 #



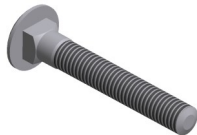
3 #



4 #

Hardware Package B (For Step Bar Installation)

Item	QTY	Description	Item	QTY	Description
1#	6	M8X1.25-55mm Carriage Bolts	3#	6	M8 Lock Washers
2#	6	M8 Large Flat Washers	4#	6	M8 Hex Nuts



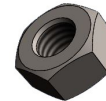
1 #



2 #



3 #



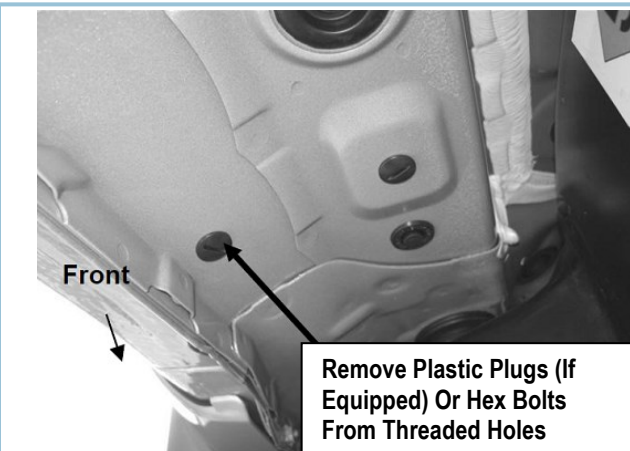
4 #

iArmor®

The instruction here is for your reference only. We strongly recommend the professional installer for best result. We are not responsible for any damage caused by the installation.

STEP 1

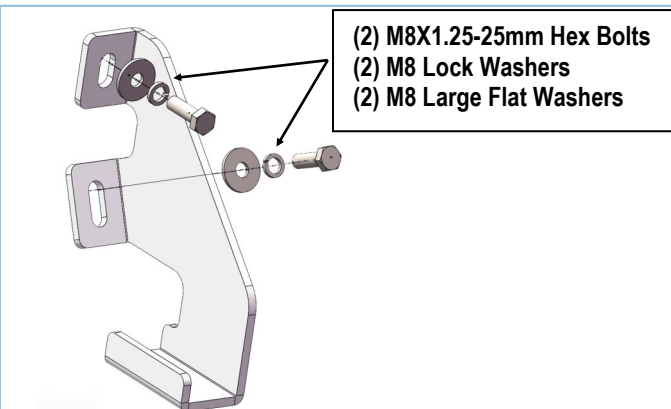
Starting on the driver side front of the vehicle, remove the existing (2) factory bolts, (or plastic plugs) (Fig 1). This will be the mounting location for the Driver Front Mounting Bracket (DFM).



(Fig 1) Driver Front Mounting Location

STEP 2

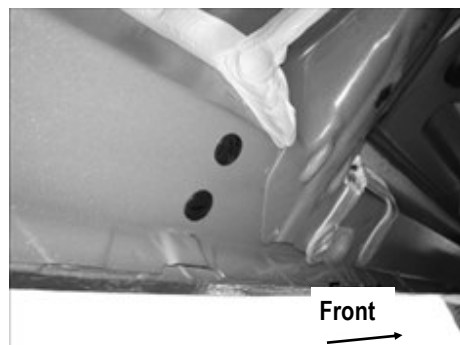
Select the Driver Front Mounting Bracket (DFM). Attach the Bracket to the vehicle using the included (2) M8X1.25-25mm Hex Bolts, (2) M8 Lock Washers and (2) M8 Large Flat Washers, (Fig 2). Do not fully tighten hardware at this time.



(Fig 2) Driver Front Mounting Bracket Installation

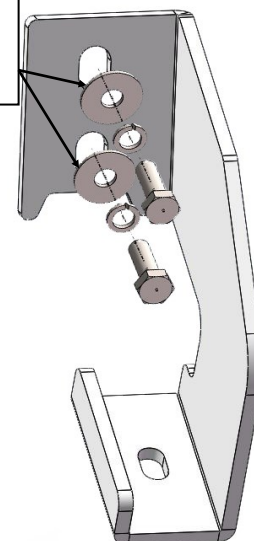
STEP 3

Move along the side panel to the next mounting location closest to the front Bracket, (Fig 3). Repeat Steps 1 & 2 to install the Driver Center Mounting Bracket (DCM), (Fig 4).



(Fig 3) Example Of Driver Center Mounting Bracket (DCM) And Driver Rear Mounting Bracket (DRM) Locations

- (2) M8X1.25-25mm Hex Bolt
- (2) M8 Lock Washers
- (2) M8 Large Flat Washers



(Fig 4) Driver Center Mounting Bracket (DCM) Installation

STEP 4

Next, move to the last mounting location at the back of the cab. Select the Driver Rear Mounting Bracket (DRM). Repeat Steps 2 & 3 to install the rear Bracket (Fig 5).

iArmor®

STEP 5

Once all (3) driver side mounting brackets are installed, select and attach the Driver Side Step Bar onto the Mounting Brackets with (3) U Brackets, (3) M8X1.25-55mm Carriage Bolts, (3) M8 Large Flat Washers, (3) M8 Lock Washers and (3) M8X1.25 Hex Nuts (**Fig 6**). Do not fully tighten hardware at this time.

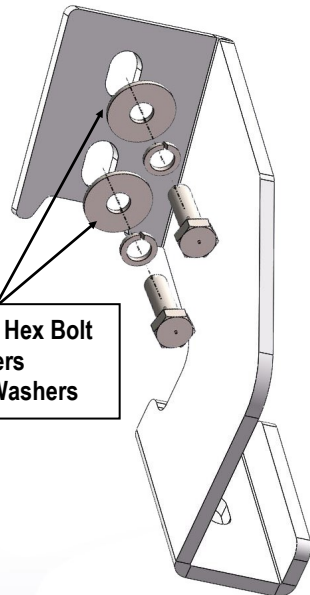
STEP 6

Properly level and adjust the Step Bar and fully tighten all hardware.

STEP 7

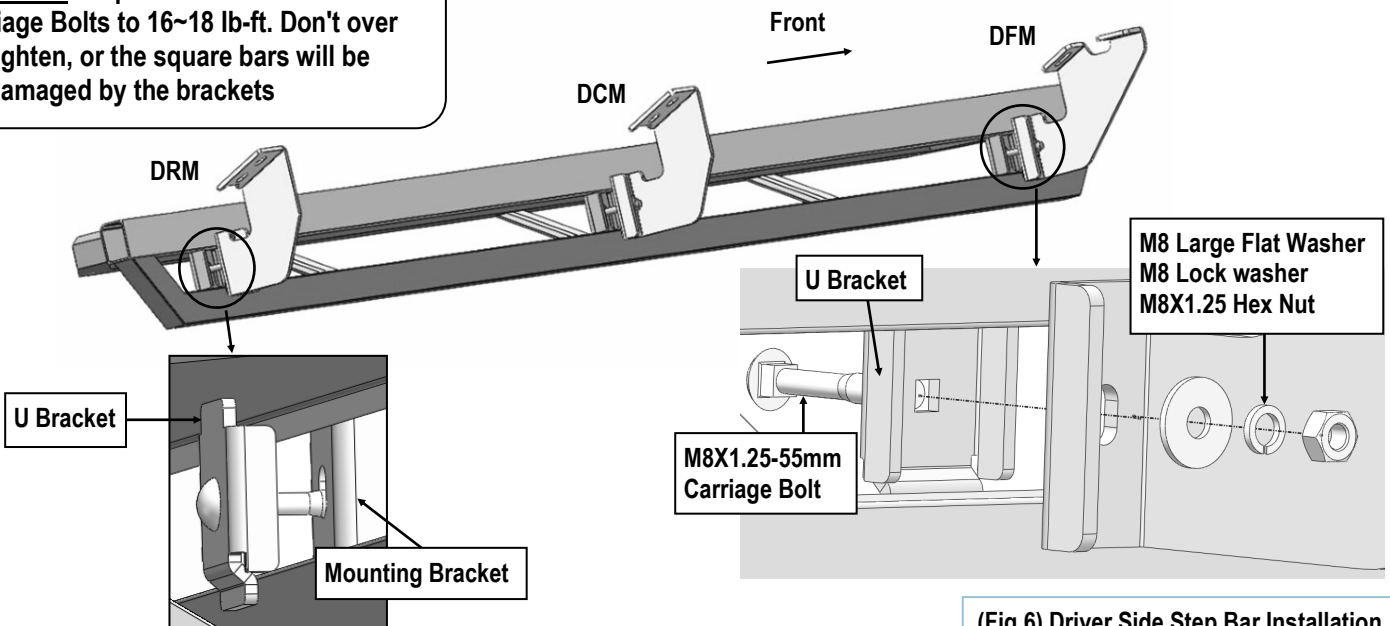
Move to the passenger side of the vehicle. Repeat **Steps 1-6** to install passenger side step bar. Installation completed.

- (2) M8X1.25-25mm Hex Bolt
- (2) M8 Lock Washers
- (2) M8 Large Flat Washers



(Fig 5) Driver Rear Mounting Bracket (DRM) Installation

NOTE: Torque all M8 X1.25-55mm Carriage Bolts to 16~18 lb-ft. Don't over tighten, or the square bars will be damaged by the brackets



(Fig 6) Driver Side Step Bar Installation

Attention

Do periodic inspections to the installation to make sure that all hardware is secure and tight. In order to protect your bars/boards, please use mild soap/non-abrasive products for cleaning only.