

# iArmor<sup>®</sup>

## iArmor<sup>®</sup> by APS

PART#: IA-S056H

### BEFORE INSTALLATION

REMOVE CONTENTS FROM BOX. VERIFY ALL PARTS ARE PRESENT. READ INSTRUCTIONS CAREFULLY BEFORE STARTING INSTALLATION. ASSISTANCE IS RECOMMENDED. THANK YOU FOR CHOOSING OUR PRODUCT!

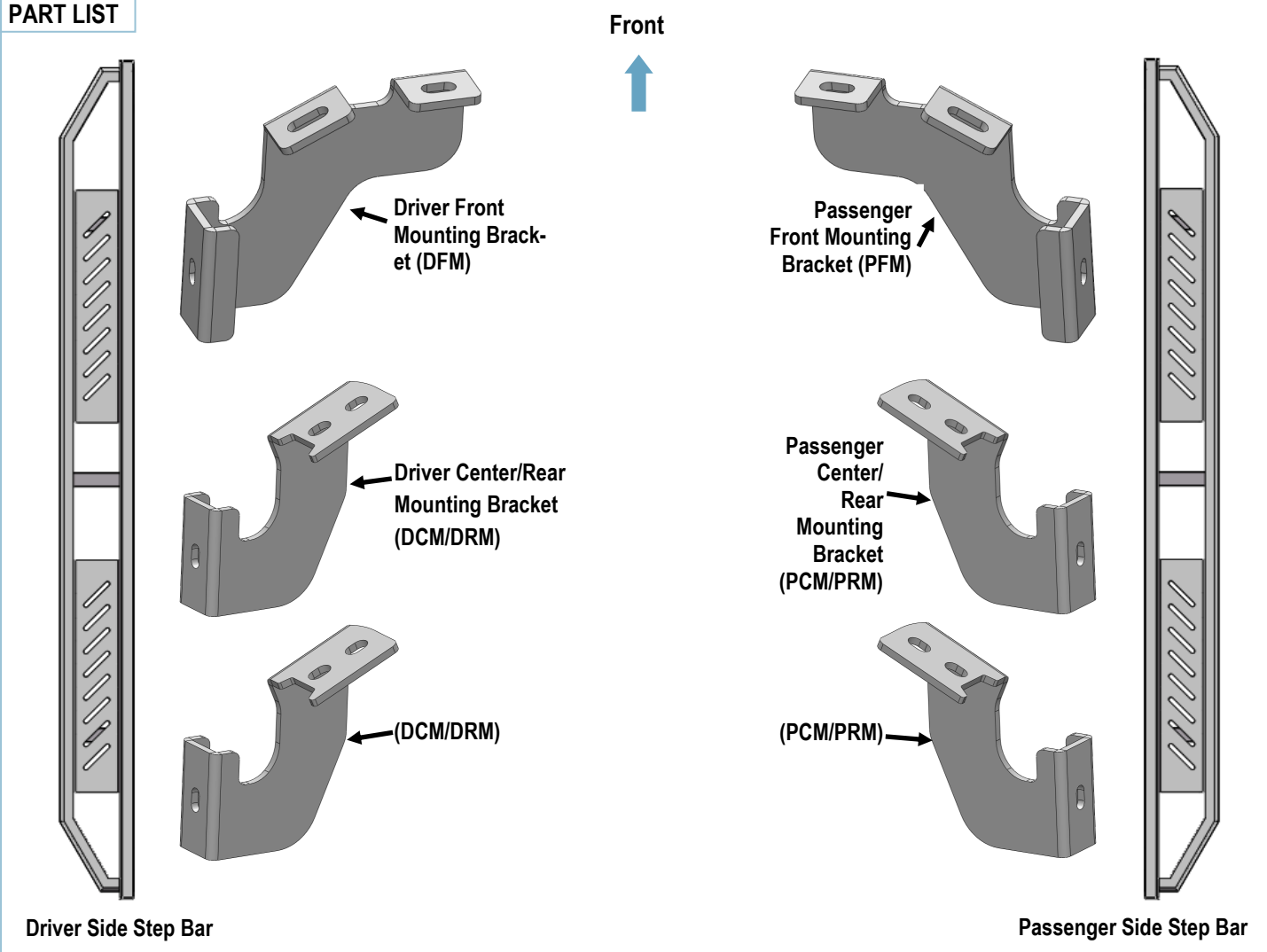
**\*ROCKER PANEL MOUNT**

**\*NO DRILLING / TRIMMING REQUIRED**

### Torque Value

Fastener Size	Tightening Torque (ft-lbs)	Required
6mm	6-7	X
8mm	16-18	√
10mm	31-32	X
12mm	56-58	X
14mm	92-94	X

### PART LIST

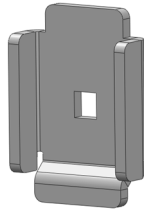


Customer Support: [info@iarmorauto.com](mailto:info@iarmorauto.com)

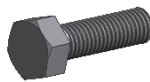
# iArmor<sup>®</sup>

## Hardware Package A (For Bracket Installation)

Item	QTY	Description	Item	QTY	Description
1#	6	U Brackets	7#	12	M8 Large Flat Washers
2#	12	M8X1.25-25 Hex Bolt	8#	12	M8 Lock Washers



1#



2#



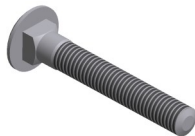
3#



4#

## Hardware Package B (For Step Bar Installation)

Item	QTY	Description	Item	QTY	Description
1#	6	M8X1.25-55mm Carriage Bolts	3#	6	M8 Lock Washers
2#	6	M8 Large Flat Washers	4#	6	M8 Hex Nuts



1 #



2#



3 #



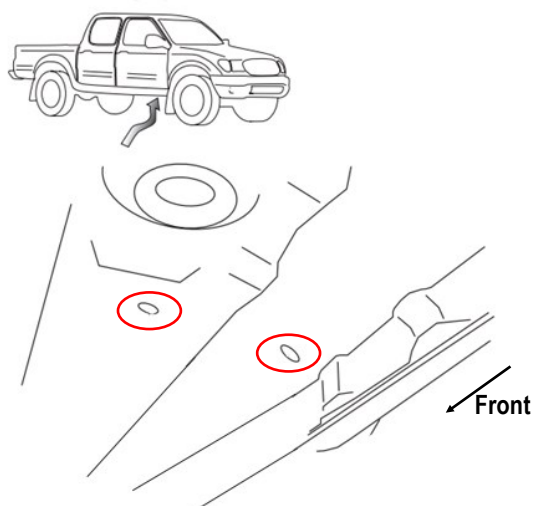
4 #

# iArmor<sup>®</sup>

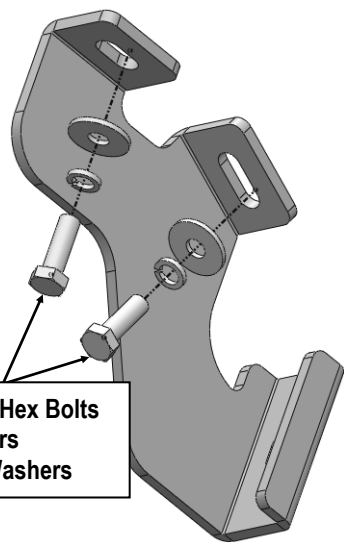
The instruction here is for your reference only. We strongly recommend the professional installer for best result. We are not responsible for any damage caused by the installation.

## STEP 1

Starting on the passenger side of the vehicle. Attach Passenger Front Mounting Bracket (PFM) as shown. Hand tighten (Fig 1-2).



(Fig 1) Passenger Front Mounting Location

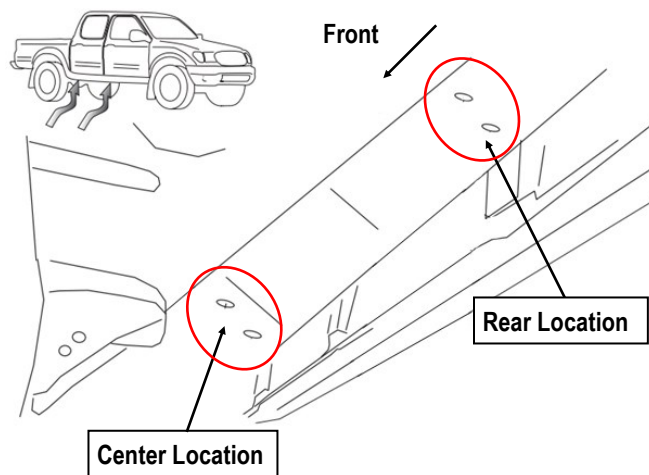


- (2) M8X1.25-25mm Hex Bolts
- (2) M8 Lock Washers
- (2) M8 Large Flat Washers

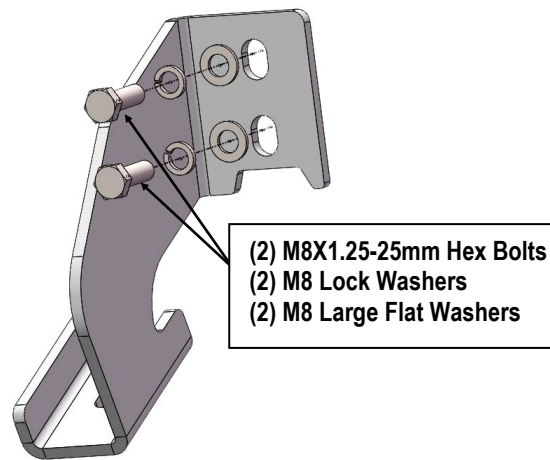
(Fig 2) Passenger Front Mounting Bracket (PFM) Installation Pictured

## STEP 2

Attach Passenger Center & Rear Mounting Bracket (PCM/PRM) as shown. Hand tighten (See Fig 3-4).



(Fig 3) Passenger Center And Rear Mounting Location



- (2) M8X1.25-25mm Hex Bolts
- (2) M8 Lock Washers
- (2) M8 Large Flat Washers

(Fig 4) Passenger Center & Rear Mounting Bracket (PCM/PRM) Installation

# iArmor®

## STEP 3

Once all (3) passenger side mounting brackets are installed, select and attach the Passenger Side Step Bar onto the Mounting Brackets with (3) U Brackets, (3) M8X1.25-55 Carriage Bolts, (3) M8 Large Flat Washers, (3) M8 Lock Washers and (3) M8X1.25 Hex Nuts (**Fig 5**). Do not fully tighten hardware at this time.

## STEP 4

Properly level and adjust the Step Bar and fully tighten all hardware.

## STEP 5

Move to the other side of the vehicle. Repeat **Steps 1-4** for the other side step bar installation.

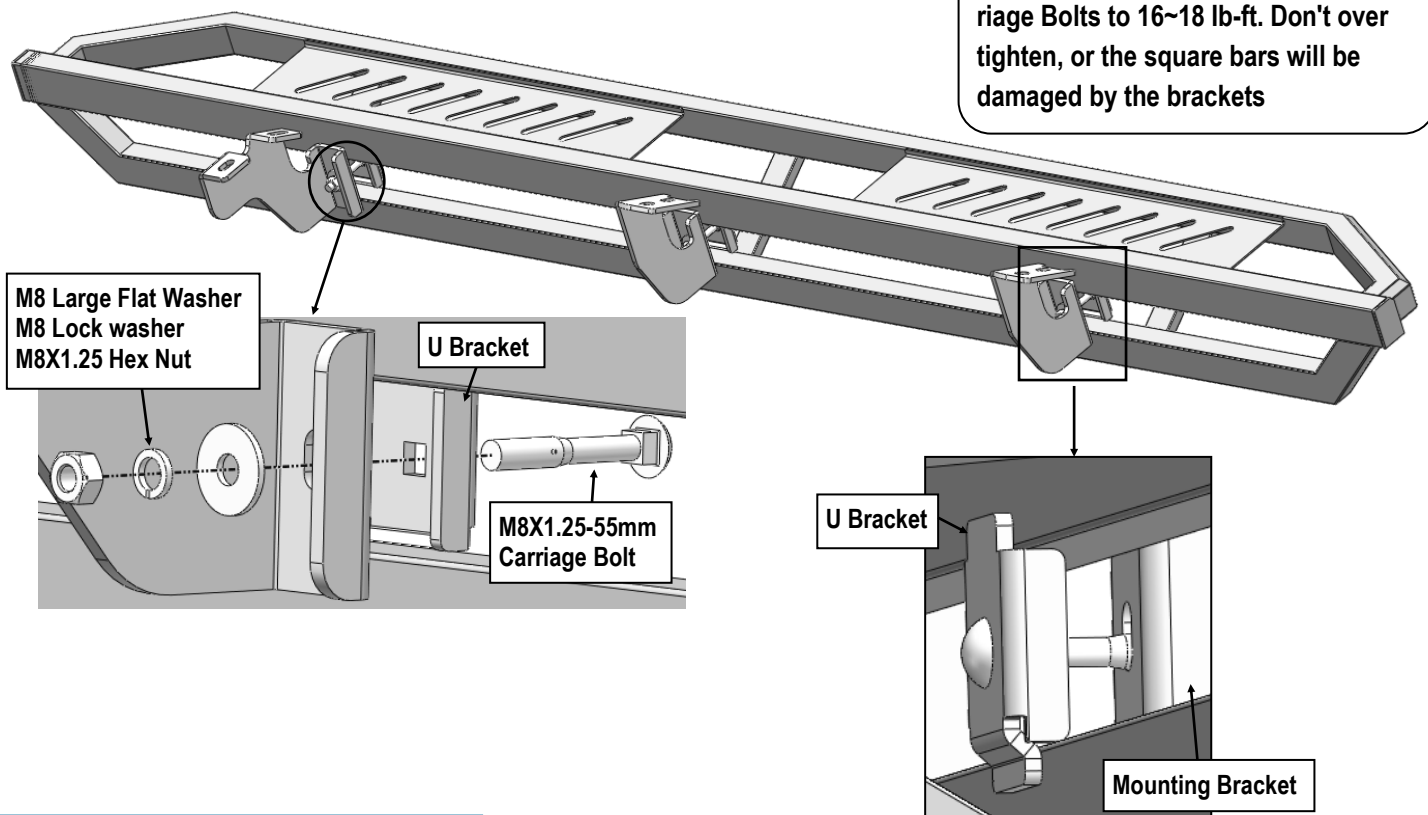
Installation completed.

### Attention

Do periodic inspections to the installation to make sure that all hardware is secure and tight.

In order to protect your bars/boards, please use mild soap/non-abrasive products for cleaning only.

**NOTE:** Torque all M8 X1.25-55 Carriage Bolts to 16~18 lb-ft. Don't over tighten, or the square bars will be damaged by the brackets



(Fig 5) Passenger Side Step Bar Installation