

iArmor[®]

iArmor[®] by APS

PART#: IA-S056

BEFORE INSTALLATION

REMOVE CONTENTS FROM BOX. VERIFY ALL PARTS ARE PRESENT. READ INSTRUCTIONS CAREFULLY BEFORE STARTING INSTALLATION. ASSISTANCE IS RECOMMENDED. THANK YOU FOR CHOOSING OUR PRODUCT!

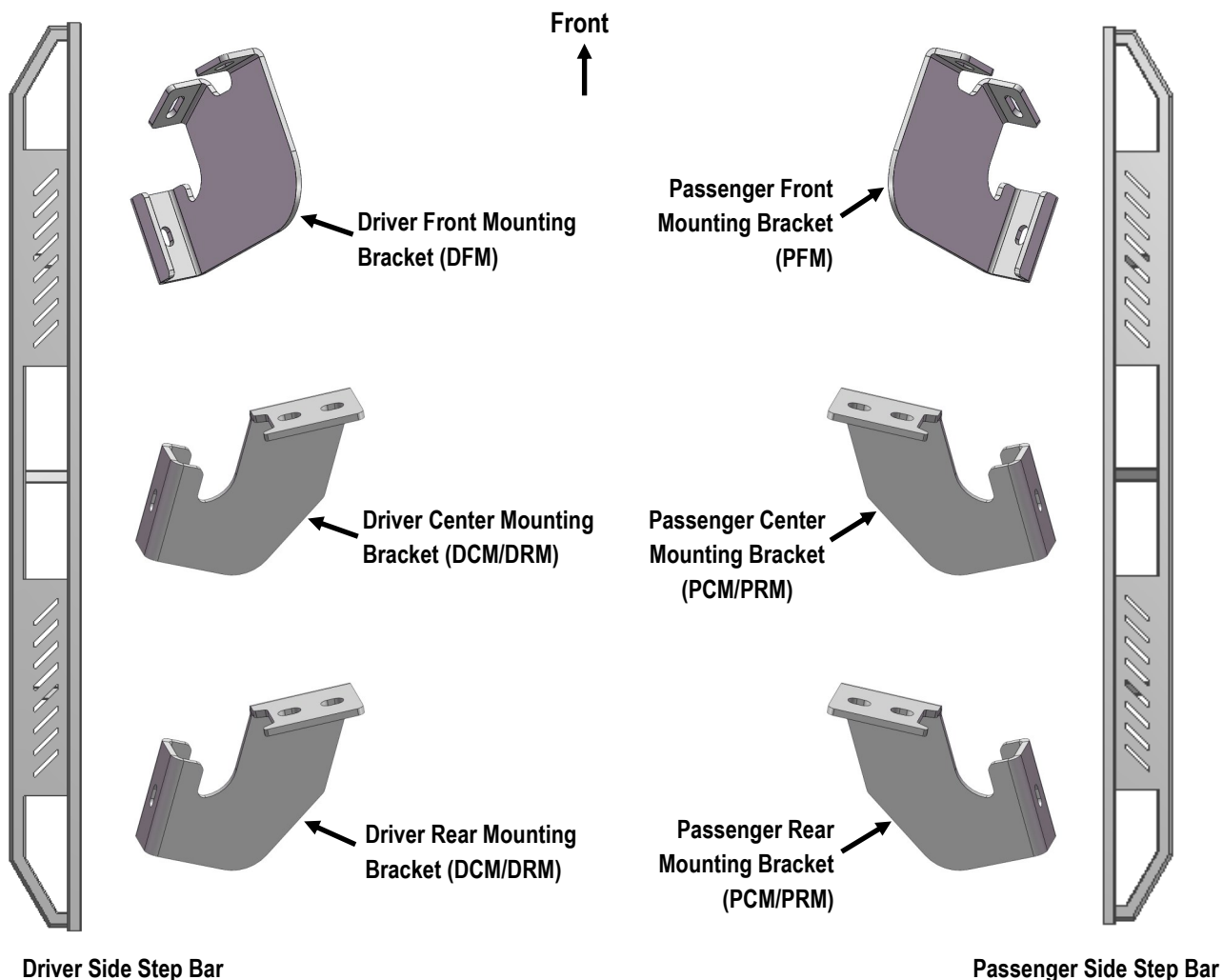
***ROCKER PANEL MOUNT**

***NO DRILLING / TRIMMING REQUIRED**

Torque Value

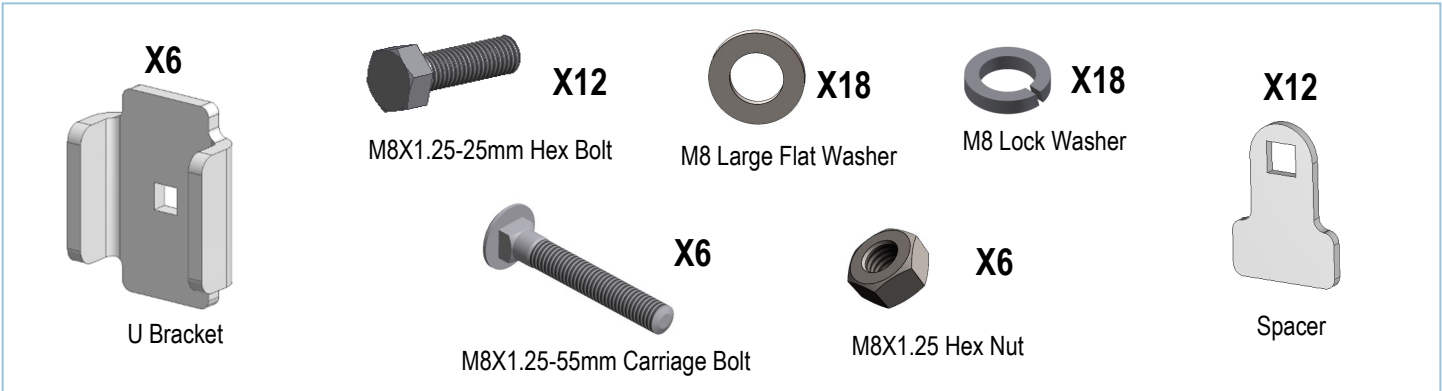
Fastener Size	Tightening Torque (ft-lbs)	Required
6mm	6-7	X
8mm	16-18	√
10mm	31-32	X
12mm	56-58	X
14mm	92-94	X

PART LIST



Customer Support: info@iarmorauto.com

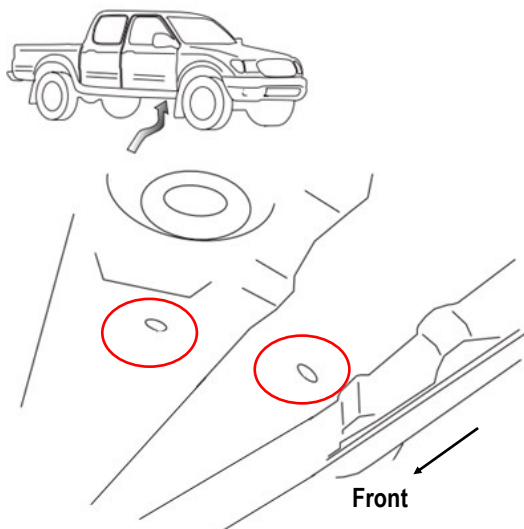
iArmor®



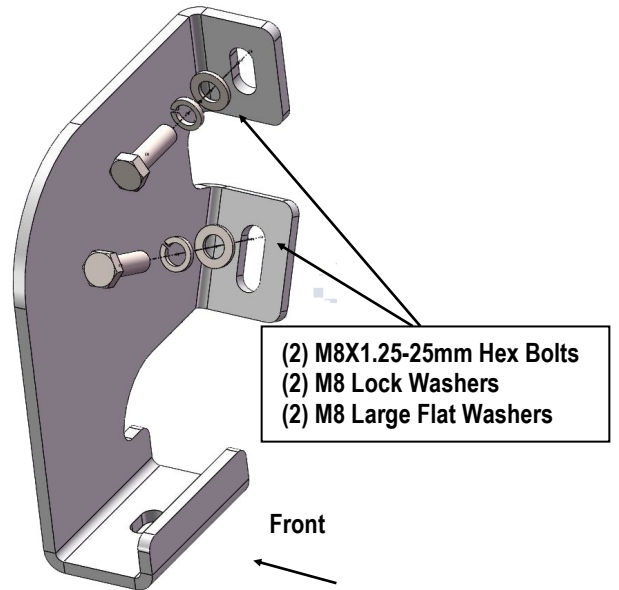
The instruction here is for your reference only. We strongly recommend the professional installer for best result. We are not responsible for any damage caused by the installation.

STEP 1

Starting on the passenger side of the vehicle. Attach Passenger Front Mounting Bracket (PFM) as shown. Hand tighten (Fig 1-2).



(Fig 1) Passenger Front Mounting Location Pictured

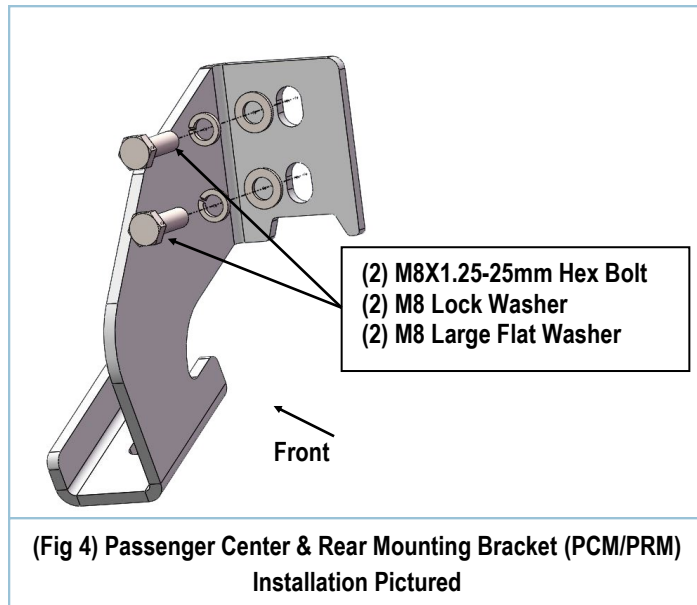
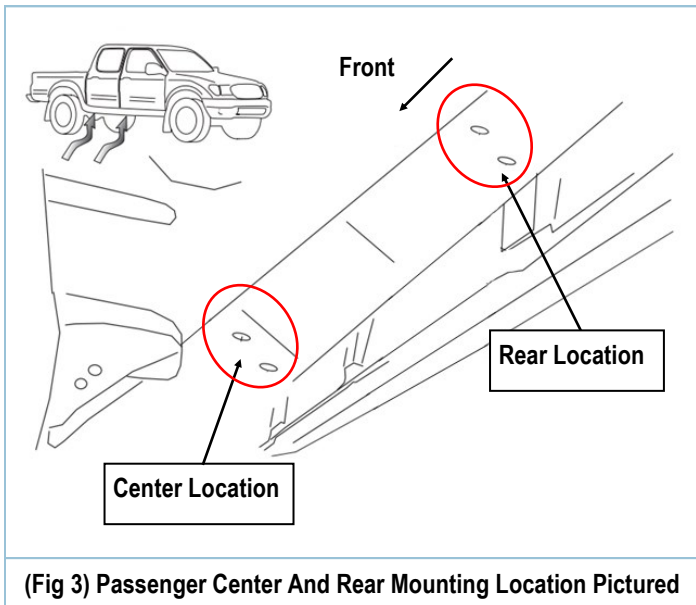


(Fig 2) Passenger Front Mounting Bracket (PFM) Installation Pictured

STEP 2

Attach Passenger Center & Rear Mounting Bracket (PCM/PRM) as shown. Hand tighten (See Fig 3-4).

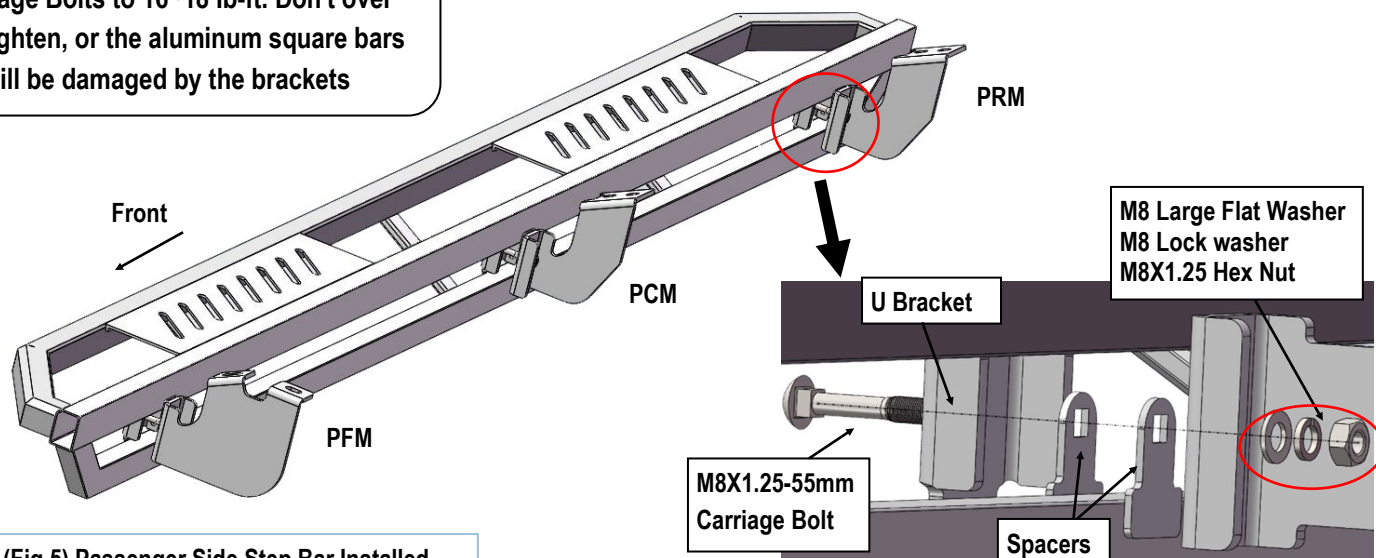
iArmor[®]



STEP 3

Once all (3) passenger side mounting brackets are installed, select and attach the Passenger Side Step Bar onto the Mounting Brackets with (3) U Brackets, (6) Spacers, (3) M8X1.25-55mm Carriage Bolts, (3) M8 Large Flat Washers, (3) M8 Lock Washers and (3) M8X1.25 Hex Nuts (Fig 5). Do not fully tighten hardware at this time.

NOTE: Torque all M8 X1.25-55mm Carriage Bolts to 16~18 lb-ft. Don't over tighten, or the aluminum square bars will be damaged by the brackets



Customer Support: info@iarmorauto.com

iArmor[®]

STEP 4

Properly level and adjust the Step Bar and fully tighten all hardware.

STEP 5

Move to the driver side of the vehicle. Repeat **Steps 1-4** to install driver side step bar.

Installation completed.

Attention

Do periodic inspections to the installation to make sure that all hardware is secure and tight.

In order to protect your bars/boards, please use only mild soap/non-abrasive products for cleaning.