

iArmor[®]

iArmor[®] by APS

PART#: IA-S230H

BEFORE INSTALLATION

REMOVE CONTENTS FROM BOX. VERIFY ALL PARTS ARE PRESENT. READ INSTRUCTIONS CAREFULLY BEFORE STARTING INSTALLATION. ASSISTANCE IS RECOMMENDED. THANK YOU FOR CHOOSING OUR PRODUCT!

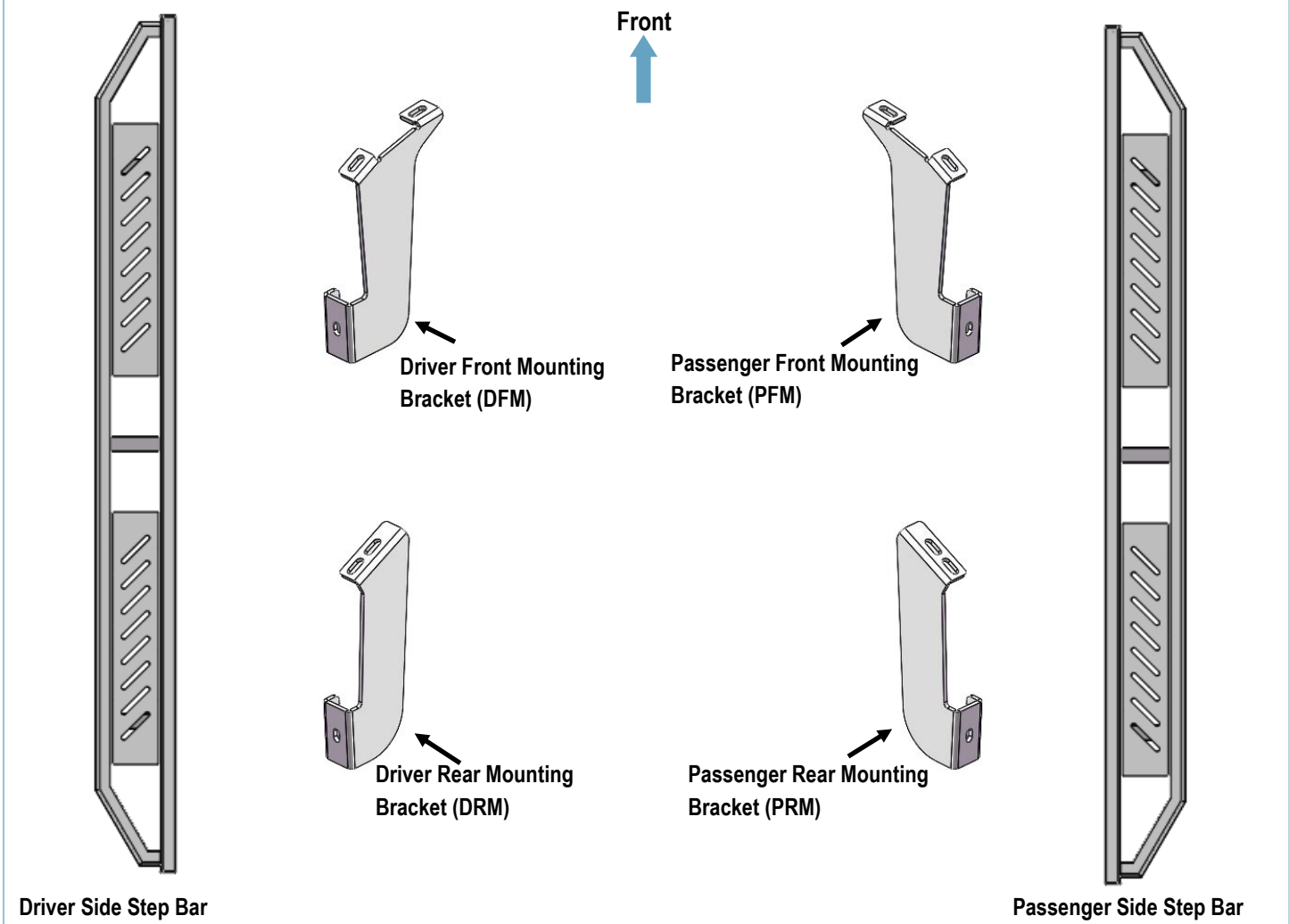
***ROCKER PANEL MOUNT**

***NO DRILLING / TRIMMING REQUIRED**

Torque Value

Fastener Size	Tightening Torque (ft-lbs)	Required
6mm	6-7	X
8mm	16-18	√
10mm	31-32	X
12mm	56-58	X
14mm	92-94	X

PART LIST

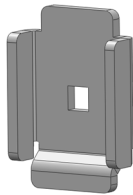


Customer Support: info@iarmorauto.com

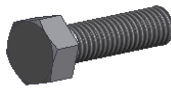
iArmor®

Hardware Package A (For Bracket Installation)

Item	QTY	Description	Item	QTY	Description
1#	4	U Brackets	3#	8	M8 Large Flat Washers
2#	8	M8X1.25-25mm Hex Bolts	4#	8	M8 Lock Washers



1 #



2 #



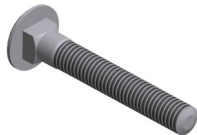
3 #



4 #

Hardware Package B (For Step Bar Installation)

Item	QTY	Description	Item	QTY	Description
1#	4	M8X1.25-55mm Carriage Bolts	3#	4	M8 Lock Washers
2#	4	M8 Large Flat Washers	4#	4	M8 Hex Nuts



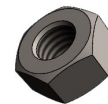
1 #



2#



3 #



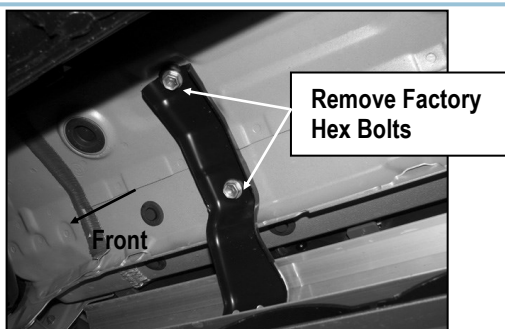
4 #

iArmor®

The instruction here is for your reference only. We strongly recommend the professional installer for best result. We are not responsible for any damage caused by the installation.

STEP 1

Start installation on the passenger side of the vehicle. Location the mounting positions, (Fig 1 & 2). Remove the existing (2) factory bolts, (Fig 1 & 2).



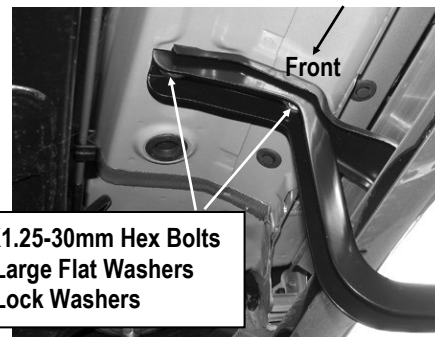
(Fig 1) Passenger Side Front Mounting Location



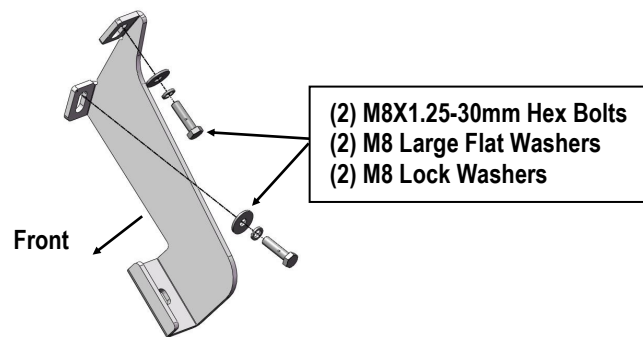
(Fig 2) Passenger Side Rear Mounting Location

STEP 2

Select (1) Passenger Front Mounting Bracket (PFM). Attach the Bracket over the factory bracket, secure the bracket to the vehicle with (2) M8X1.25-30mm Hex Bolts, (2) M8 Lock Washers and (2) M8 Large Flat Washers, (Fig 3 & 4). Do not tighten hardware at this time.



(Fig 3) Passenger Front Mounting Bracket Installation
(Mounting Bracket is varied, For Reference only)



(Fig 4) Passenger Front Mounting Bracket Installation

STEP 5

Properly level and adjust the Step Bar and fully tighten all hardware.

STEP 6

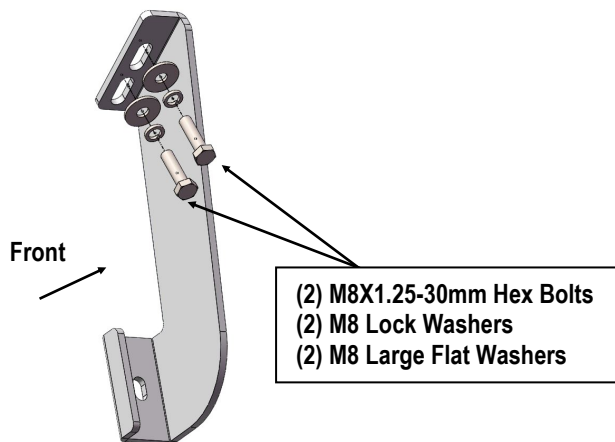
Move to the driver side of the vehicle. Repeat **Steps 1-5** to install driver side step bar.

Installation completed.

iArmor[®]

STEP 3

Move to the passenger side rear mounting locations. Repeat **Steps 1-2** to install the Passenger Rear Mounting Bracket (PRM), (Fig 5). Do not fully tighten hardware at this time.



(Fig 5) Passenger Rear Mounting Bracket Installation

STEP 4

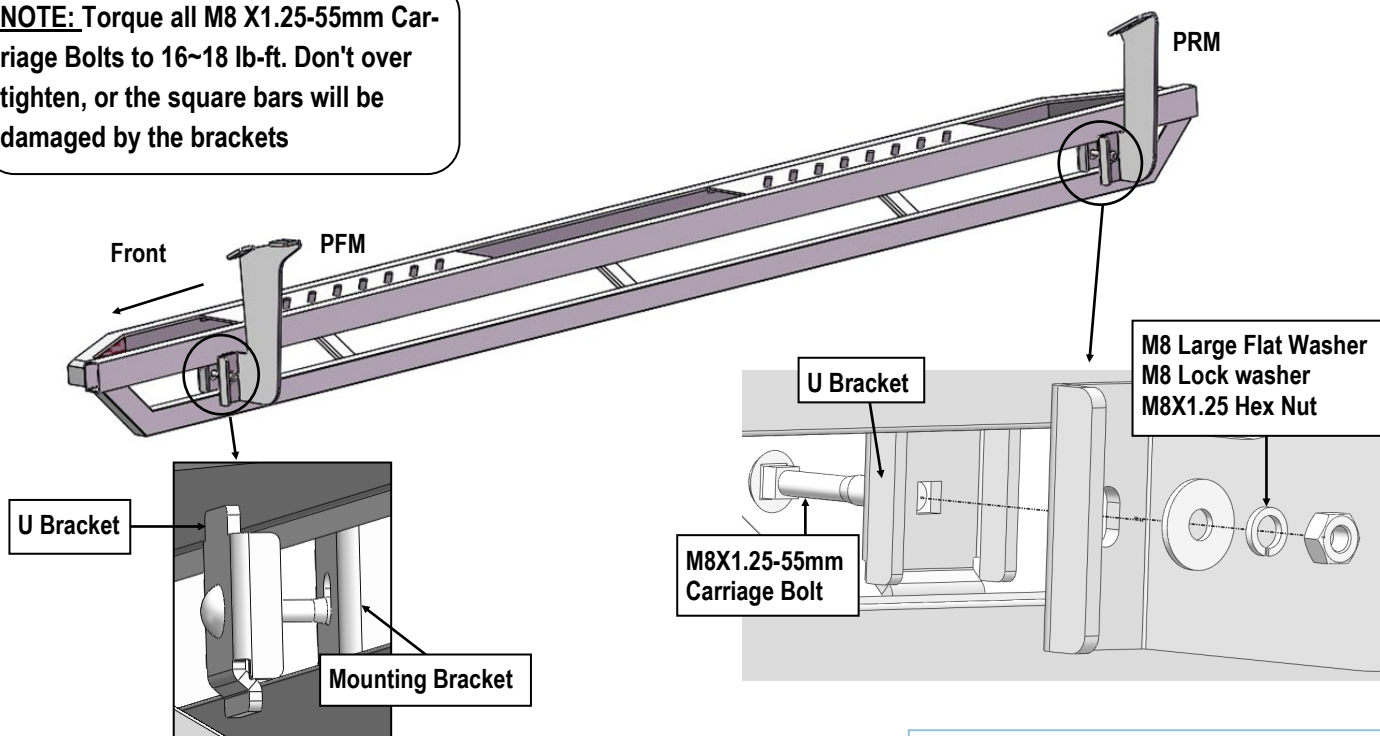
Once all (2) passenger side mounting brackets are installed, select and attach the Passenger Side Step Bar onto the Mounting Brackets with (2) U Brackets, (2) M8X1.25-55mm Carriage Bolts, (2) M8 Large Flat Washers, (2) M8 Lock Washers and (2) M8X1.25 Hex Nuts (Fig 5). Do not fully tighten hardware at this time.

Attention

Do periodic inspections to the installation to make sure that all hardware is secure and tight.

In order to protect your bars/boards, please use mild soap/non-abrasive products for cleaning only.

NOTE: Torque all M8 X1.25-55mm Carriage Bolts to 16~18 lb-ft. Don't over tighten, or the square bars will be damaged by the brackets



(Fig 5) Passenger Side Step Bar Installation