

iArmor®

iArmor® by APS

PART#: IA-S229

BEFORE INSTALLATION

REMOVE CONTENTS FROM BOX. VERIFY ALL PARTS ARE PRESENT. READ INSTRUCTIONS CAREFULLY BEFORE STARTING INSTALLATION. ASSISTANCE IS RECOMMENDED. THANK YOU FOR CHOOSING OUR PRODUCT!

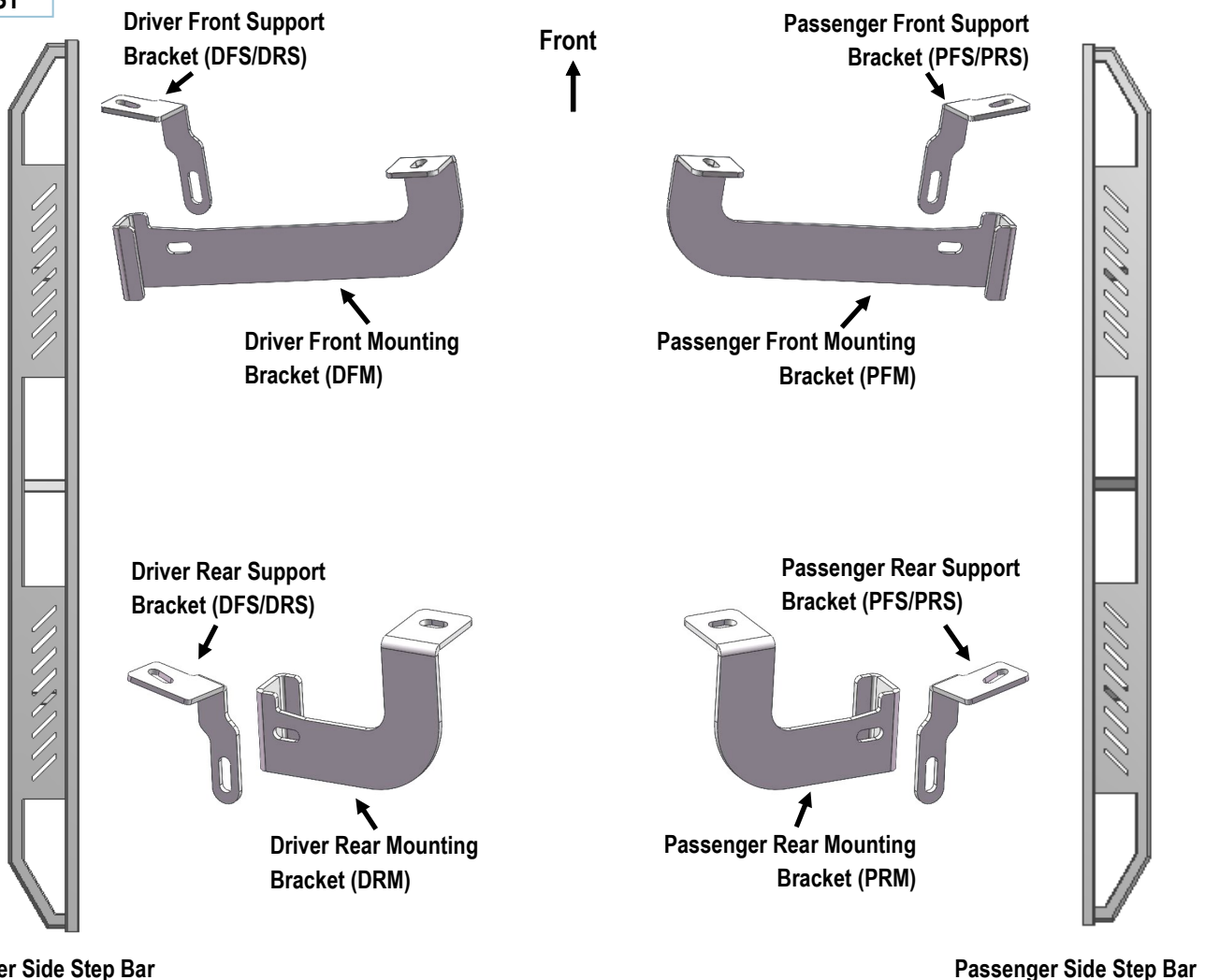
***ROCKER PANEL MOUNT**

***NO DRILLING / TRIMMING REQUIRED**

Torque Value

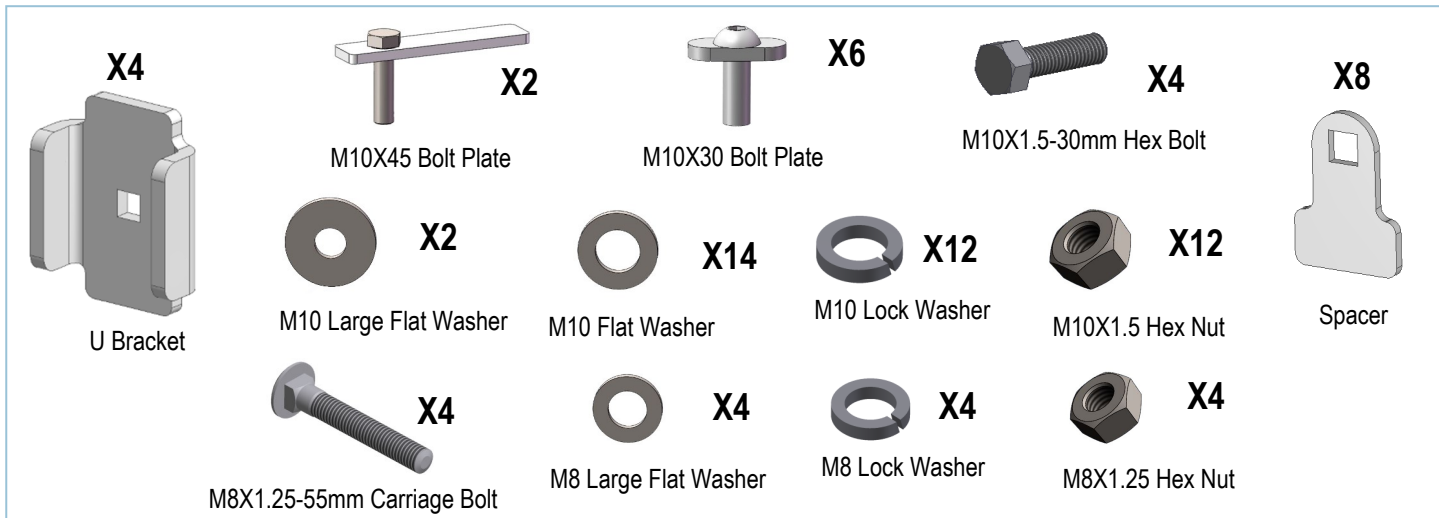
Fastener Size	Tightening Torque (ft-lbs)	Required
6mm	6-7	X
8mm	16-18	√
10mm	31-32	√
12mm	56-58	X
14mm	92-94	X

PART LIST



Customer Support: info@iarmorauto.com

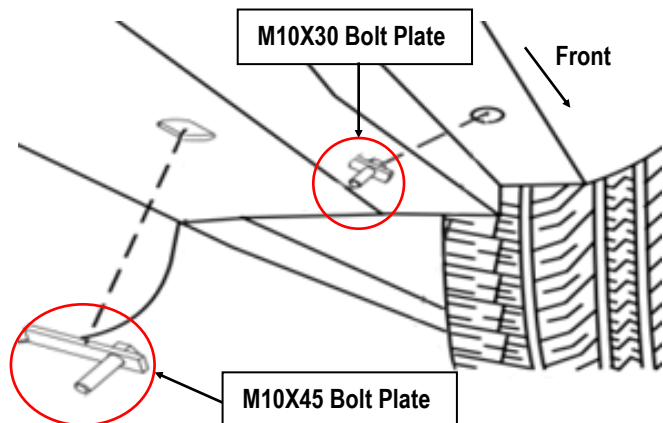
iArmor®



The instruction here is for your reference only. We strongly recommend the professional installer for best result. We are not responsible for any damage caused by the installation.

STEP 1

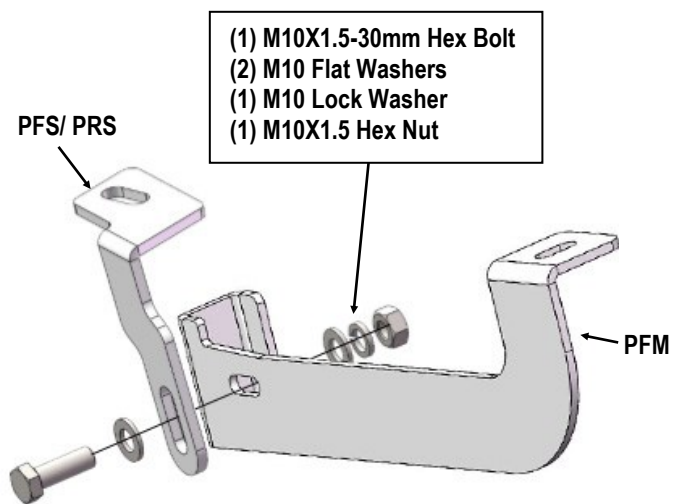
Start installation on the passenger side of the vehicle, (Fig 1). Bolt M10X45 Bolt Plate and M10X30 Bolt Plate as shown.



(Fig 1) Passenger Front Mounting Location Pictured

STEP 2

Start from passenger front side. Select Passenger Front Mounting Bracket (PFM) and Passenger Front Support Bracket (PFS/ PRS) . Attach Support Bracket to the Mounting Bracket with (1) M10X1.5-30mm Hex Bolt, (1) M10 Lock Washer , (1) M10X1.5 Hex Nut and (2) M10 Flat Washers, (Fig 2). Do not fully tighten hardware at this time.

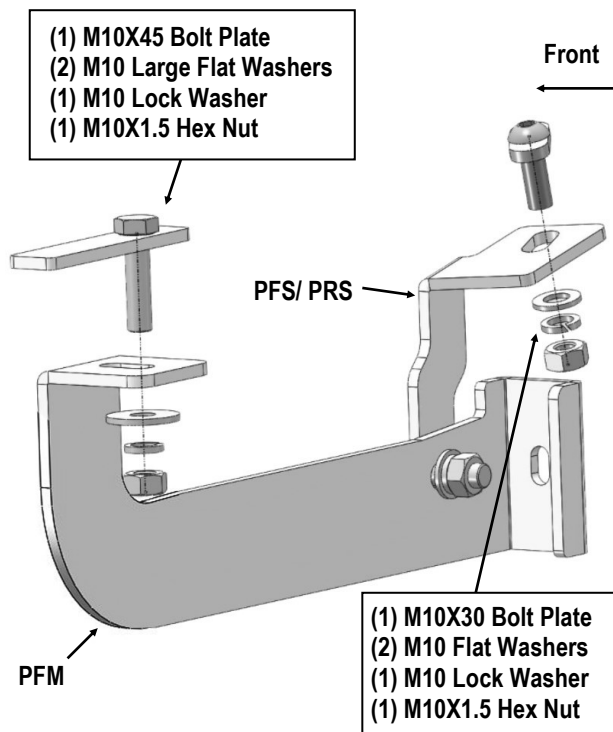


(Fig 2) Passenger Front Mounting Bracket Assembly

iArmor®

STEP 3

Install Passenger Front Mounting Bracket (**PFM**) to the vehicle using (1) M10X45 Bolt Plate, (1) M10 Lock Washer, (1) M10X1.5 Hex Nut and (1) M10 Large Flat Washer, (**Fig 3**). Attach Passenger Front Support Bracket (**PFS/PRS**) to the vehicle with (1) M10X30 Bolt Plate, (1) M10 Lock Washer, (1) M10X1.5 Hex Nut and (1) M10 Flat Washer, (**Fig 3**). Do not fully tighten hardware at this time.

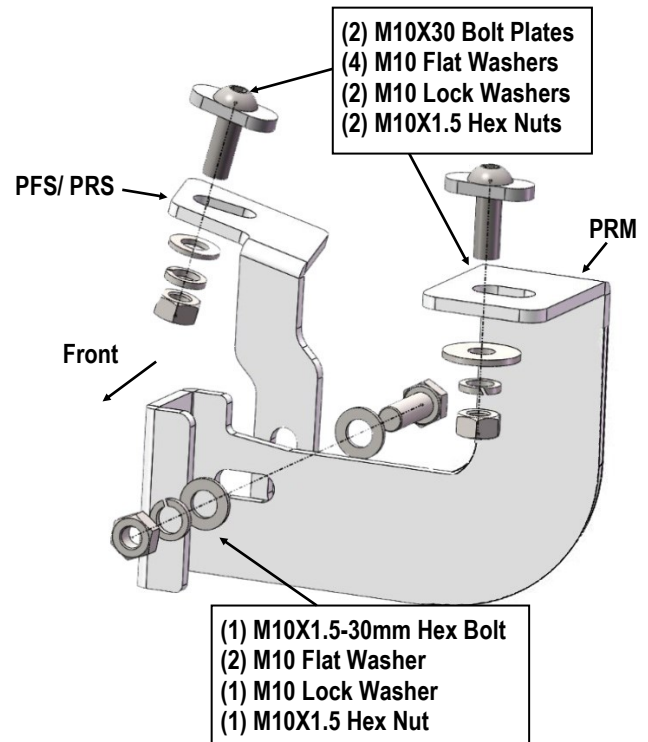


(Fig 3) Passenger Front Mounting Bracket Installation

STEP 4

Move to passenger rear side, repeat **step 2** for Passenger Rear Mounting Bracket (**PRM**) and Passenger Rear Support Bracket (**PFS/PRS**) assembly.

Next, attach Passenger Rear Mounting Bracket (**PRM**) and Passenger Rear Support Bracket (**PFS/PRS**) with (2) M10X30 Bolt Plate, (2) M10 Lock Washer, (2) M10X1.5 Hex Nut and (4) M10 Flat Washer, (**Fig 4**). Do not tighten hardware at this time.



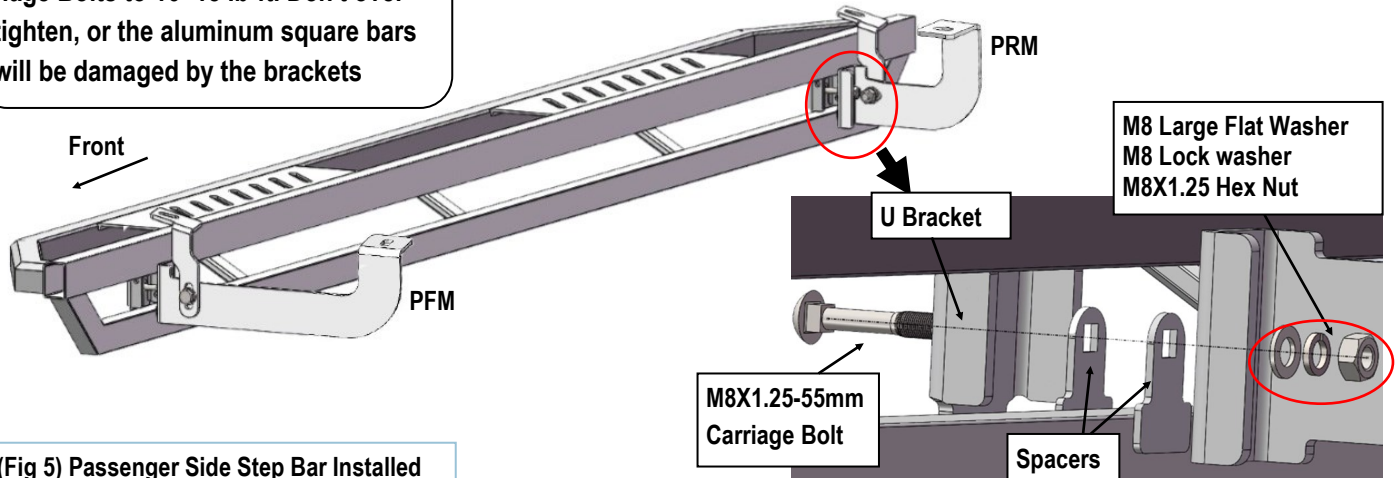
(Fig 4) Passenger Rear Mounting Bracket Installation

STEP 5

Once all (2) passenger side mounting brackets are installed, select and attach the Passenger Side Step Bar onto the Mounting Brackets with (2) U Brackets, (4) Spacers, (2) M8X1.25-55mm Carriage Bolts, (2) M8 Large Flat Washers, (2) M8 Lock Washers and (2) M8X1.25 Hex Nuts (**Fig 5**). Do not fully tighten hardware at this time.

iArmor[®]

NOTE: Torque all M8 X1.25-55mm Carriage Bolts to 16~18 lb-ft. Don't over tighten, or the aluminum square bars will be damaged by the brackets



(Fig 5) Passenger Side Step Bar Installed

STEP 6

Properly level and adjust the Step Bar and fully tighten all hardware.

STEP 7

Move to the driver side of the vehicle. Repeat **Steps 1-6** to install driver side step bar.

Installation completed.

Attention

Do periodic inspections to the installation to make sure that all hardware is secure and tight.

In order to protect your bars/boards, please use only mild soap/non-abrasive products for cleaning.