

## IARMOR EDGE™

PART#: IA-N060

### BEFORE INSTALLATION

REMOVE CONTENTS FROM BOX. VERIFY ALL PARTS ARE PRESENT. READ INSTRUCTIONS CAREFULLY BEFORE STARTING INSTALLATION. ASSISTANCE IS RECOMMENDED. THANK YOU FOR CHOOSING OUR PRODUCT!

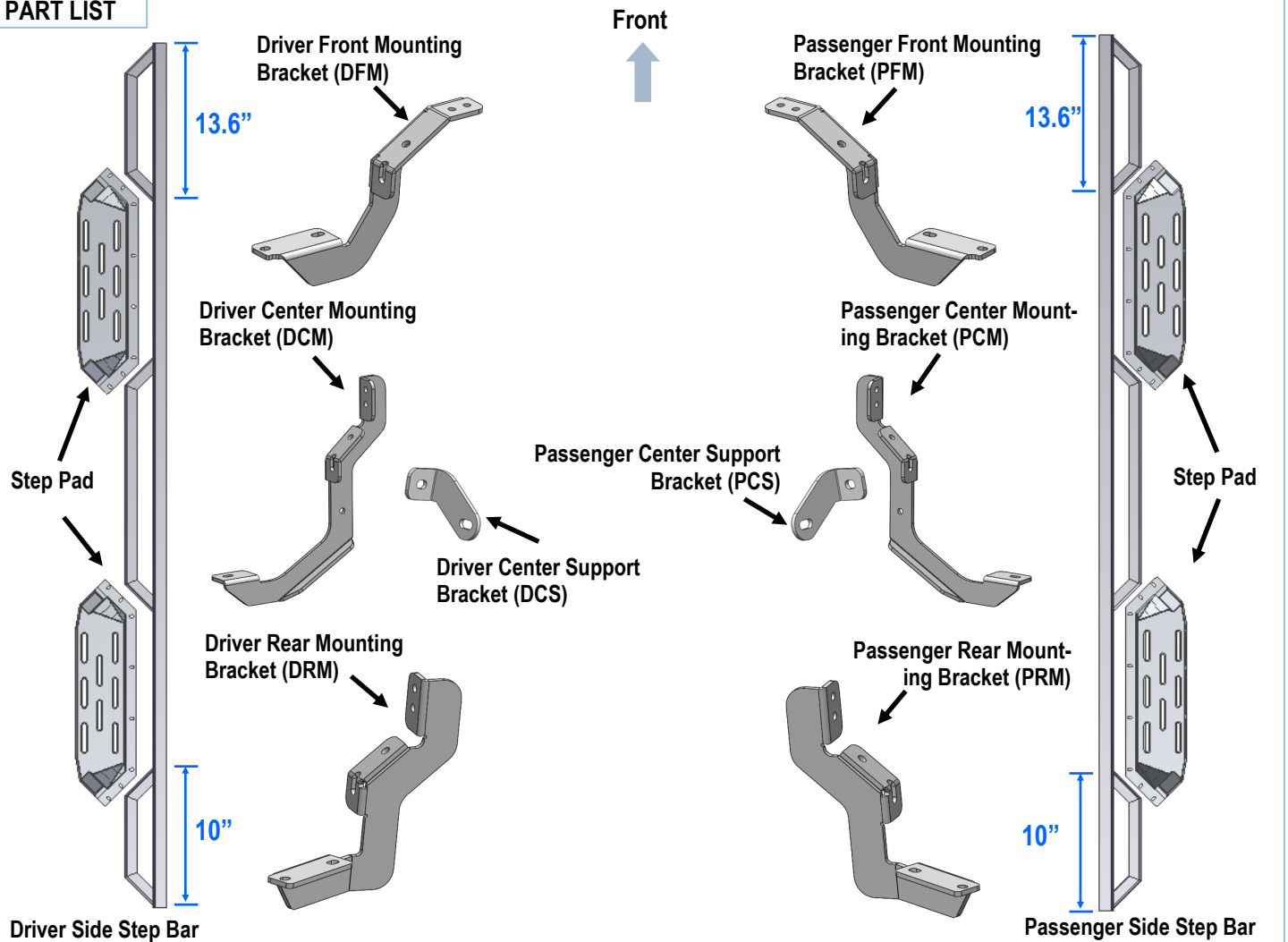
\*DRILLING IS REQUIRED

\*TRIMMING NOT REQUIRED

### Torque Value

Fastener Size	Tightening Torque (ft-lbs)	Required
6mm	6-7	√
8mm	16-18	√
10mm	31-32	X
12mm	56-58	X
14mm	92-94	X

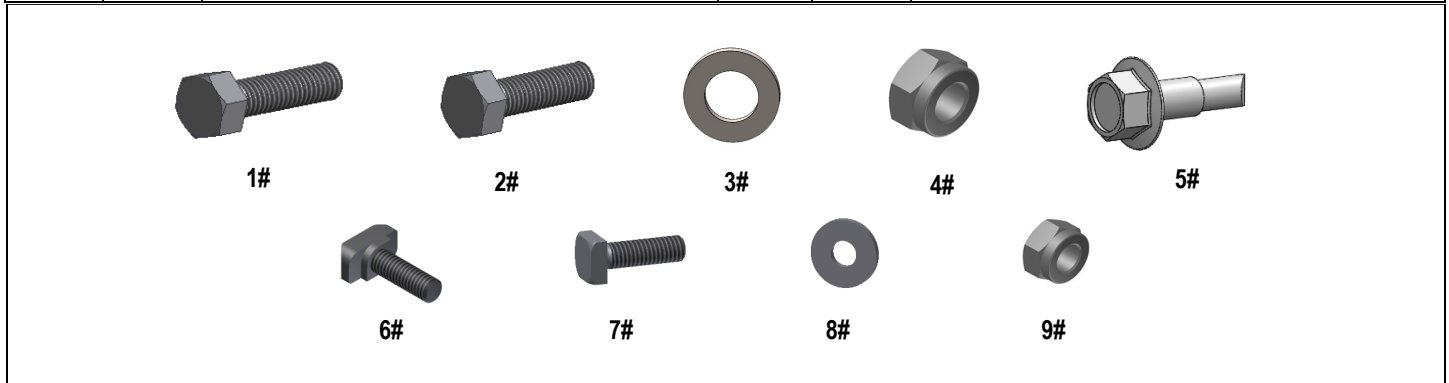
### PART LIST



Customer Support: [info@iarmorauto.com](mailto:info@iarmorauto.com)

# iArmor<sup>®</sup>

Hardware Package					
Item	QTY	Description	Item	QTY	Description
1#	2	M8X1.25-25mm Hex Bolts	6#	40	M6X1-20mm T- Bolts
2#	6	M8X1.25-20mm Hex Bolts	7#	4	M6X1-20mm Square Head Bolts
3#	16	M8 Large Flat Washers	8#	44	M6 Large Flat Washers
4#	8	M8X1.25 Nylon Lock Nuts	9#	44	M6X1 Nylon Lock Nuts
5#	12	ST6.3-25mm Hex Self Tapping Screws			



# iArmor®

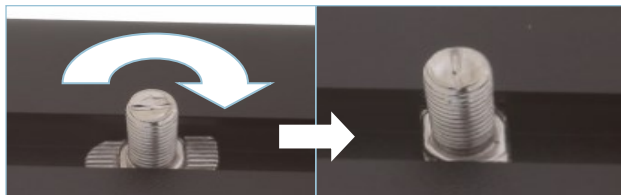
The instruction here is for your reference only. We strongly recommend the professional installer for best result. We are not responsible for any damage caused by the installation.

## STEP 1

Install the Step Pads onto the step bars with (32) M6X1-20mm T-Bolts, (32) M6 Large Flat Washers and (32) M6X1 Nylon Lock Nuts.

**IMPORTANT:** Don't hit the step pad with any metal hammer within step pad installation, or the step pad will be damaged.

(8) M6X1-20mm T-Bolts  
(8) M6 Large Flat Washers  
(8) M6X1 Nylon Lock Nuts



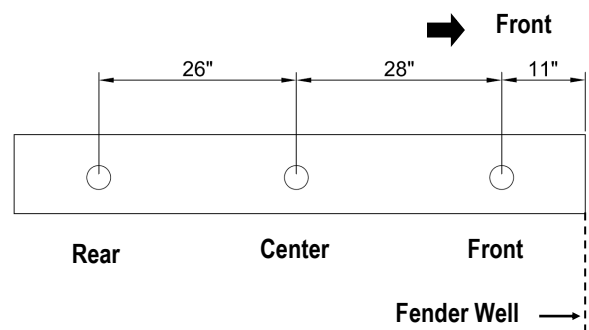
**Note: Rotate 90° after inserting the T-Bolts into the Channel!!!**

## STEP 2

Start installation from the Driver Side of the vehicle. Using the Bracket location Chart below, lay out and mark the (3) driver side bracket mounting locations on pinch weld with a pencil.

**Note: suggest attaching the bracket to the mounting position as a template, make sure the (3) brackets are on the same level and then mark the hole locations on the pinch weld.**

Drill (3) 5/16" holes on the pinch weld according to the marked locations, (Fig 1).



(Fig 1) Driver Side Pinch Weld Bracket Location Chart

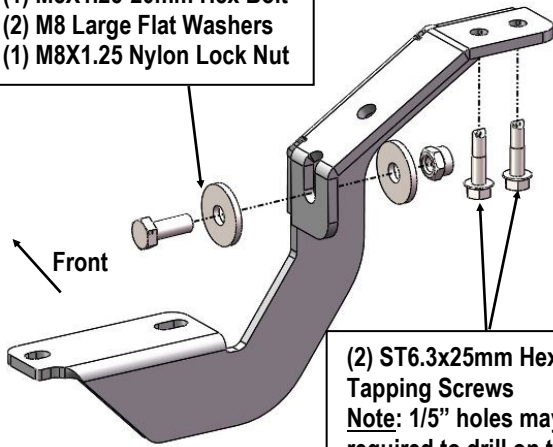
## STEP 3

Using (1) M8 x1.25-20mm Hex Bolt, (2) M8 Large Flat Washers and (1) M8X1.25 Nylon Lock Nut, attach the Driver Front Mounting Bracket (DFM) to the previously drilled hole on Pinch Weld on **STEP 2**. And then secure the bracket onto the frame rail with (2) ST6.3x25mm Self Tapping screws, (Fig 2).

**Note: 1/5" holes may be required to drill on the frame rail on some models.**

# iArmor®

- (1) M8X1.25-20mm Hex Bolt
- (2) M8 Large Flat Washers
- (1) M8X1.25 Nylon Lock Nut

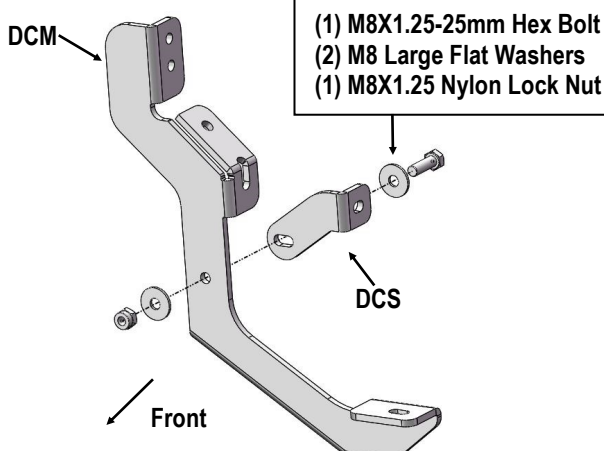


- (2) ST6.3x25mm Hex Self Tapping Screws
- Note: 1/5" holes may be required to drill on the frame rail on some models

(Fig 2) Driver Front Mounting Bracket Installation

## STEP 4

Move to the driver side center of the vehicle, (Fig 1). Assemble Driver Center Mounting Bracket (DCM) and Driver Center Support Bracket (DCS) with (1) M8x1.25-25mm Hex Bolt, (2) M8 Large Flat Washers and (1) M8X1.25 Nylon Lock Nut, (Fig 3). Do not fully tighten hardware at this time. Repeat STEP 3 for the Driver Center Mounting Bracket installation.



(Fig 3) Driver Center Brackets Assembly

## STEP 5

Move to the driver side rear mounting location of the vehicle, (Fig 1). Repeat STEP 3 for Driver Rear Mounting Bracket installation.

## STEP 6

Once all (3) driver side mounting brackets are installed, attach the Assembled Driver Side Step Bar onto the brackets with (4) M6X1-20mm T-Bolts, (2) M6X1-20mm Square Head Bolts, (6) M6 Large Flat Washers and (6) M6x1 Nylon Lock Nuts, (Fig 4). Do not fully tighten hardware at this time.

## STEP 7

Properly level and adjust the Step Bar and fully tighten all hardware.

## STEP 8

Move to the passenger side of the vehicle. Repeat STEPS 2-7 to install passenger side step bar.

### Attention

Do periodic inspections to the installation to make sure that all hardware is secure and tight. In order to protect your bars/boards, please use only mild soap/non-abrasive products for cleaning.

# iArmor<sup>®</sup>

