

iArmor®

IARMOR EDGE™

PART#: IA-N054H

BEFORE INSTALLATION

REMOVE CONTENTS FROM BOX. VERIFY ALL PARTS ARE PRESENT. READ INSTRUCTIONS CAREFULLY BEFORE STARTING INSTALLATION. ASSISTANCE IS RECOMMENDED. THANK YOU FOR CHOOSING OUR PRODUCT!

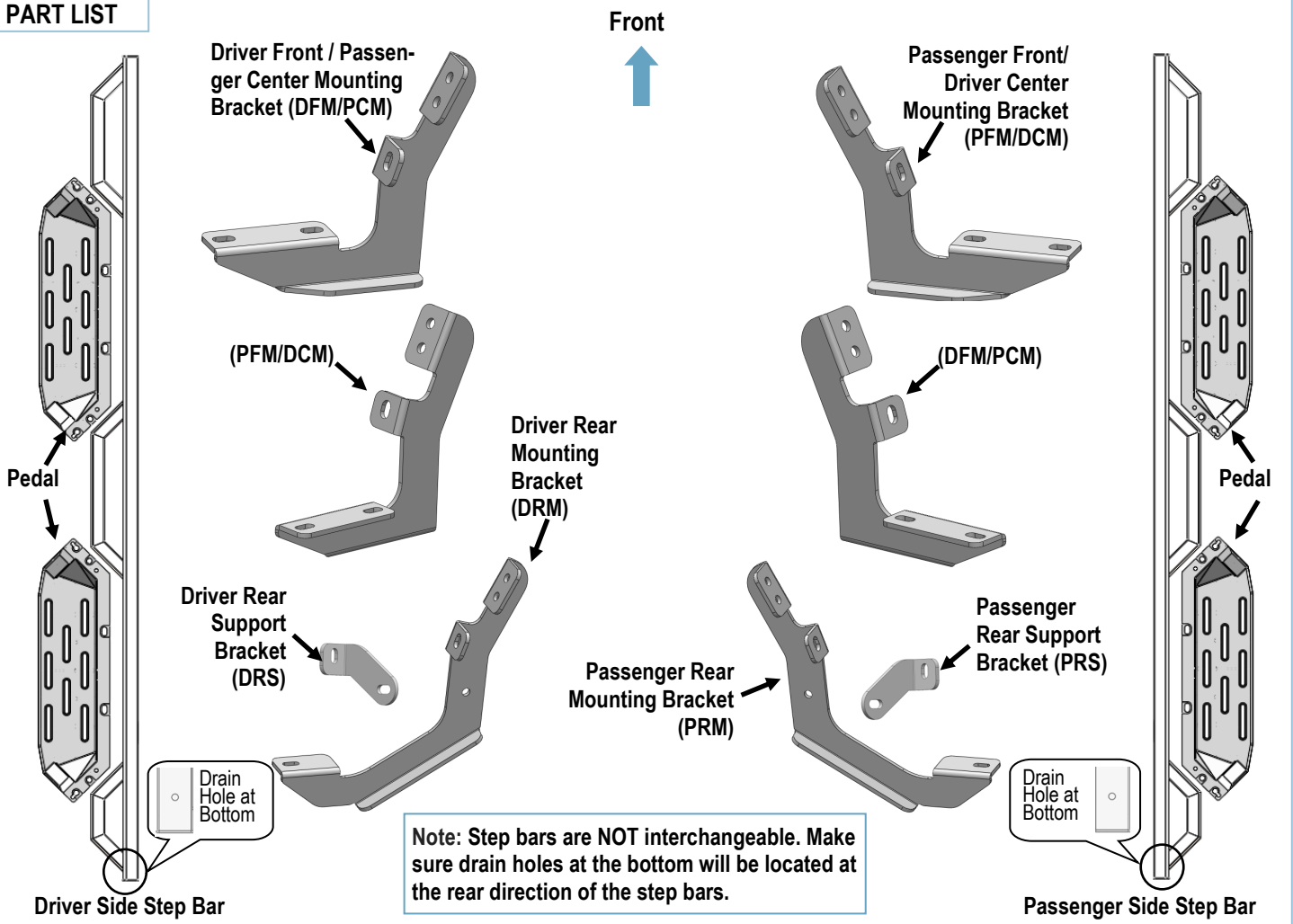
*ROCKER PANEL MOUNT

*DRILLING IS REQUIRED

Torque Value

Fastener Size	Tightening Torque (ft-lbs)	Required
6mm	6-7	√
8mm	16-18	√
10mm	31-32	X
12mm	56-58	X
14mm	92-94	X

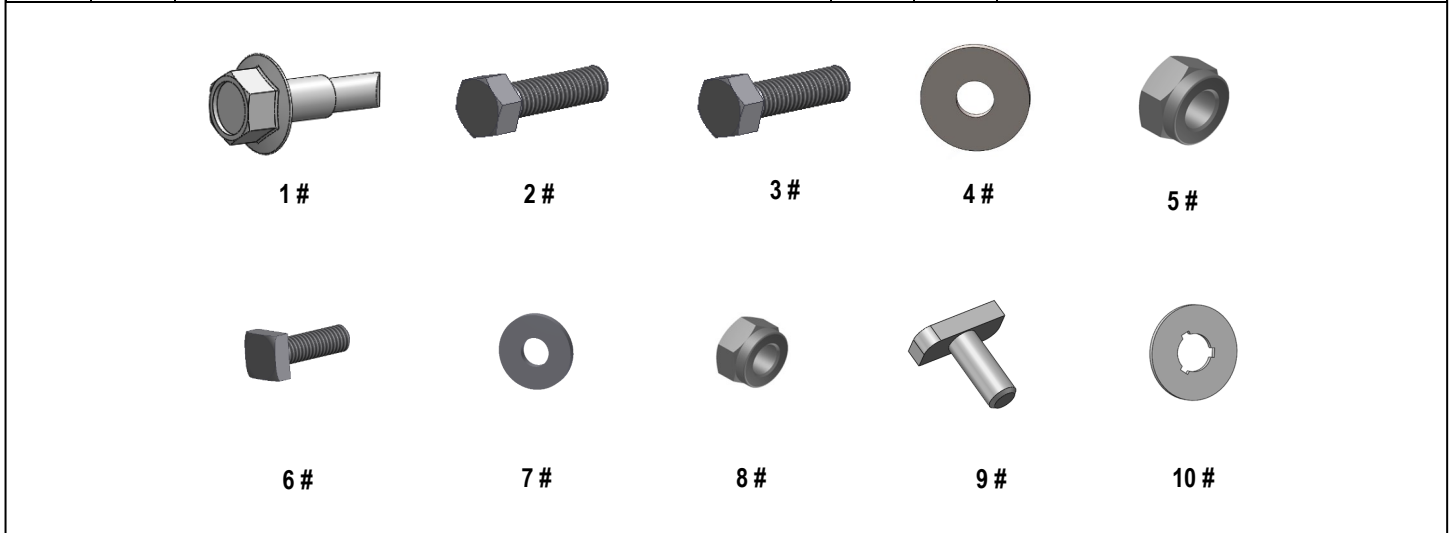
PART LIST



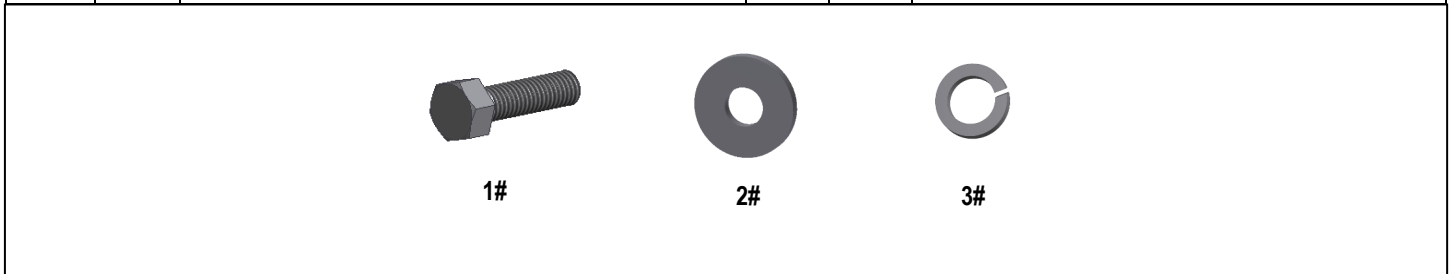
Customer Support: info@iarmorauto.com

iArmor[®]

Hardware Package A (For Brackets & Bars Installation)					
Item	QTY	Description	Item	QTY	Description
1#	12	ST6.3-25 Hex Self Tapping Screws	6#	2	M6X1-20 Square Head Bolts
2#	2	M8X1.25-25mm Hex Bolts	7#	2	M6 Large Flat Washers
3#	6	M8X1.25-20 Hex Bolts	8#	2	M6 Nylon Lock Nuts
4#	26	M8 Flat Washers	9#	10	M8X1.25-20 T-Bolts
5#	18	M8 Nylon Lock Nuts	10#	10	M8 Plastic Washers



Hardware Package B (For Step Pedals Installation)					
Item	QTY	Description	Item	QTY	Description
1#	24	M8X1.25-25 Hex Bolts	3#	24	M8 Lock Washers
2#	24	M8 Large Flat Washers			



Customer Support: info@iarmorauto.com

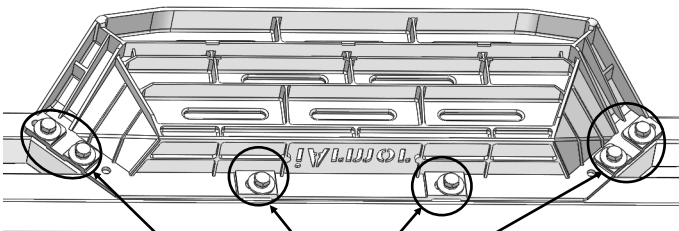
iArmor[®]

The instruction here is for your reference only. We strongly recommend the professional installer for best result. We are not responsible for any damage caused by the installation.

STEP 1

Install (4) Pedals onto the step bars with (24) M8X1.25-25mm Hex Bolts, (24) M8 Large Flat Washers and (24) M8 Lock Washers.

IMPORTANT: Don't punch the pedal with any metal hammer within pedal installation, or the pedal will be damaged.



(6) M8X1.25-25 Hex Bolts
(6) M8 Large Flat Washers
(6) M8 Lock Washers

STEP 2

Start the installation from the driver side of the vehicle, drill (3) 8mm holes in pinch weld as shown (Fig 1).

STEP 3

Select (1) Driver Front Mounting Bracket (**DFM/PCM**), attach the Mounting Bracket to the drilled holes on driver side front mounting location with (2) ST6.3-25 Hex Self Tapping Screws, (1) M8X1.25-20mm Hex Bolts, (2) M8 Flat Washers and (1) M8X1.25 Nylon Lock Nut, (Fig 2). Do not fully tighten at this time.

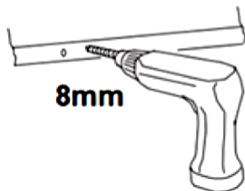
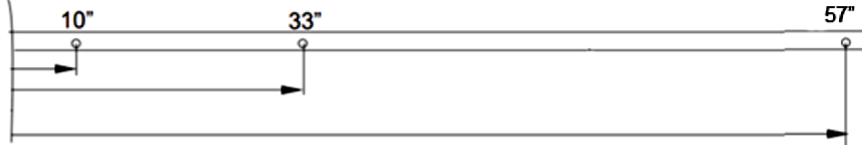
Note: Driver Front Mounting Bracket and Passenger Center Mounting Bracket are Universal.

STEP 4

Repeat Steps 2-3 for the Driver Center Mounting Bracket (**PFM/DCM**) installation. Do not fully tighten hardware at this time.



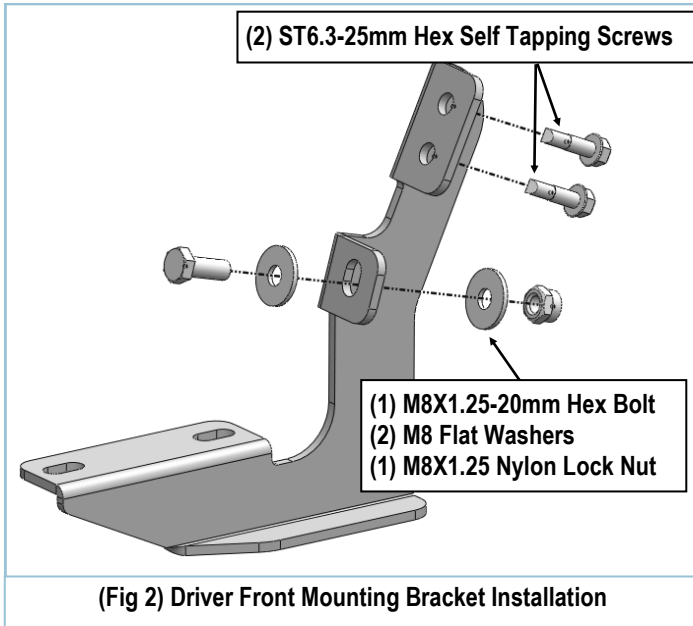
FRONT
WHEEL WELL



8mm

(Fig 1) Driver Side Mounting Locations

iArmor®



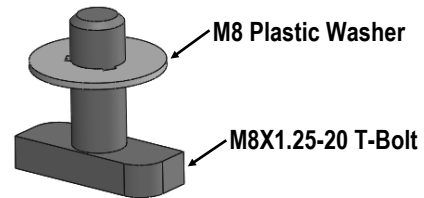
STEP 6

Next, repeat **Step 3** to attach the Assembled Driver Rear Bracket to the vehicle. Do not fully tighten at this time.

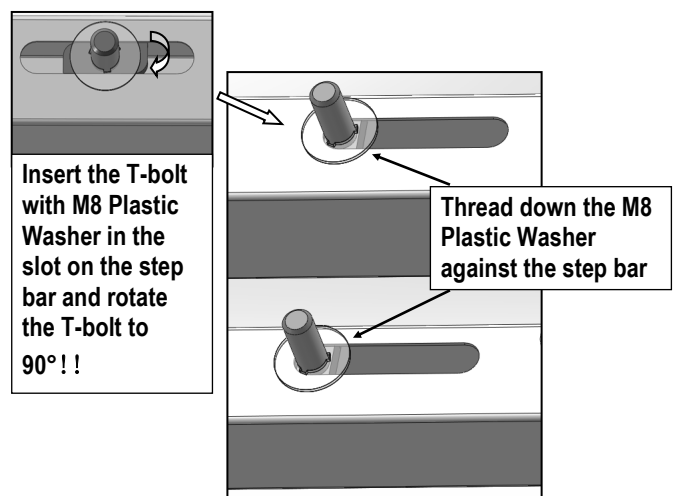
STEP 7

Once all (3) brackets have been installed, select (5) M8X1.25-20mm T-Bolts, thread (1) M8 Plastic Washer on each T-Bolt, (Fig 4). Install the (5) M8X1.25-20mm T-Bolts with plastic washers in the slots on the assembled Driver side step bar. Rotate the T-Bolts to 90 degree, thread down the M8 Plastic Washers against the step bar (Fig 5).

NOTE: The Plastic Washer is designed to keep the T-Bolt in place to avoid falling into the tube during installation.



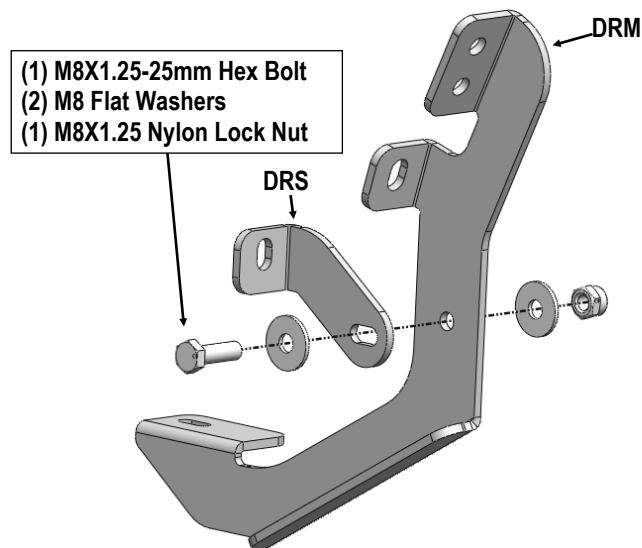
(Fig 4) Thread (1) M8 Plastic Washer on each T-Bolt Before Inserting into the slot !!!



(Fig 5) T-Bolt with plastic washer in the slot

STEP 5

Select (1) Driver Rear Mounting Bracket (**DRM**) and (1) Driver Rear Support Bracket (**DRS**), assemble with (1) M8X1.25-25mm Hex Bolts, (2) M8 Flat Washers and (1) M8X1.25 Nylon Lock Nut, (Fig 3). Do not fully tighten at this time.



(Fig 3) Driver Side Rear Brackets Assembly

iArmor®

STEP 8

Attach the Assembled Driver Side Step Bar onto the Mounting Brackets with (5) M8 Plastic Washers, (5) M8X1.25-20mm T-Bolts, (5) M8 Large Flat Washers, (5) M8 Nylon Lock Nuts, (Fig 6). Do not fully tighten hardware at this time.

NOTE: the Driver Rear Mounting Bracket is located under the rear pedal. Slide (1) M6X1-20mm Square Head Bolt into the channel at the bottom of the rear pedal (Fig 7). And secure the Driver Rear Mounting Bracket to the pedal with (1) M6 Large Flat Washer and (1) M6 Nylon Lock Nut, (Fig 6). Do not fully tighten hardware at this time.

STEP 9

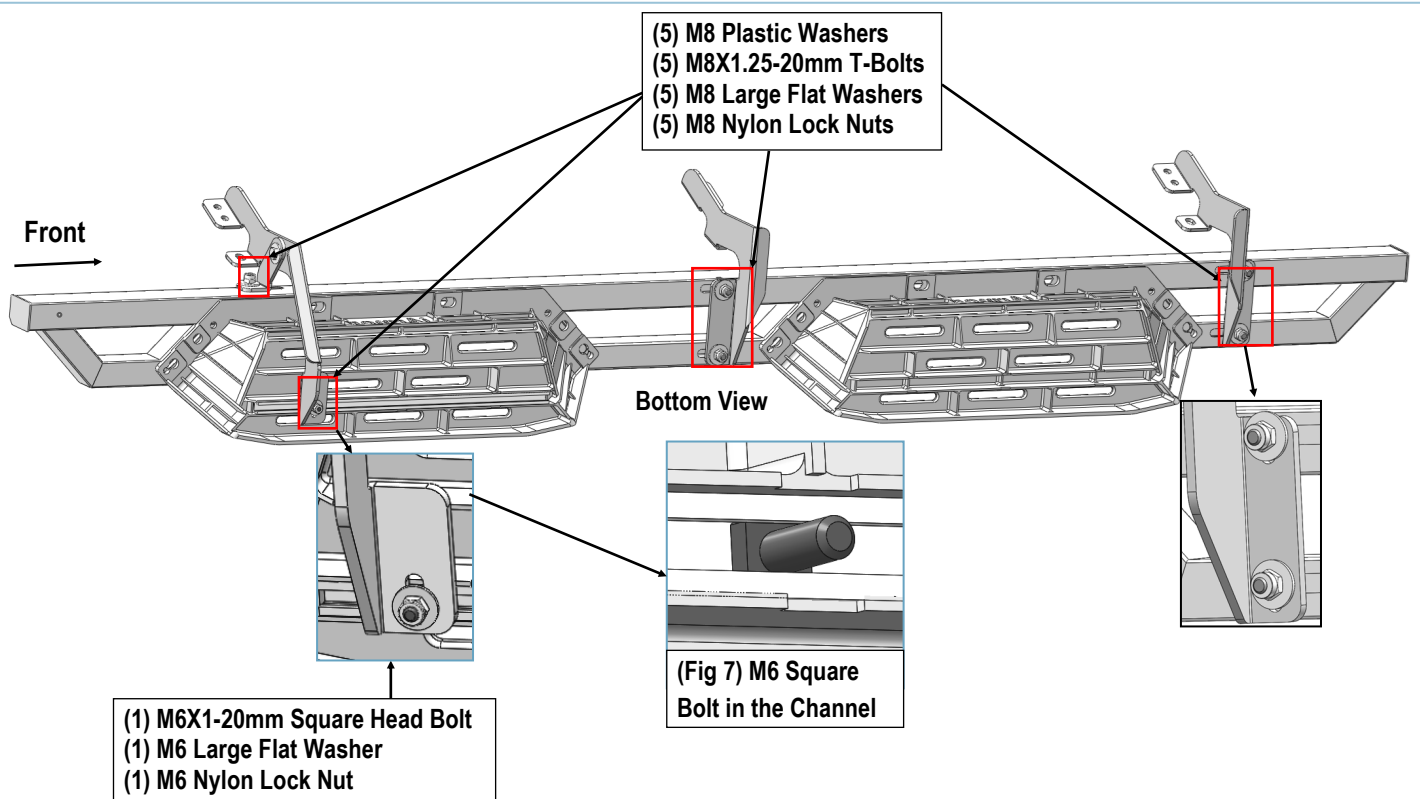
Level and adjust the assembled Step Bar properly and tighten all hardware.

Move to the other side of the vehicle. Repeat **Steps 2-8** for the other Side Step Bar installation.

Attention

Do periodic inspections to the installation to make sure that all hardware is secure and tight.

In order to protect your bars/boards, please use mild soap/non-abrasive products for cleaning only.



(Fig 6) Driver Side Step Bar Installation