

iArmor[®]

iArmor[®] by APS

PART#: IA-S084H

BEFORE INSTALLATION

REMOVE CONTENTS FROM BOX. VERIFY ALL PARTS ARE PRESENT. READ INSTRUCTIONS CAREFULLY BEFORE STARTING INSTALLATION. ASSISTANCE IS RECOMMENDED. THANK YOU FOR CHOOSING OUR PRODUCT!

***ROCKER PANEL MOUNT**

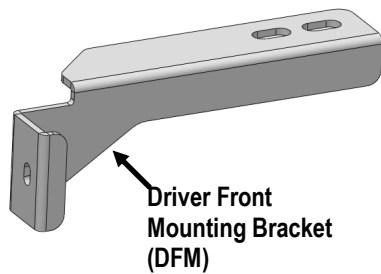
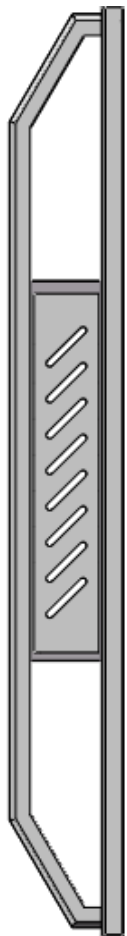
***NO DRILLING / TRIMMING REQUIRED**

Torque Value

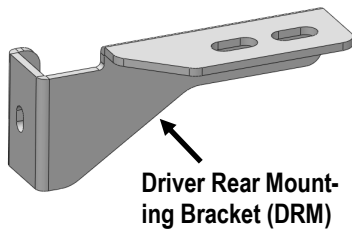
Fastener Size	Tightening Torque (ft-lbs)	Required
6mm	6-7	X
8mm	16-18	√
10mm	31-32	X
12mm	56-58	X
14mm	92-94	X

PART LIST

Driver Side Step Bar



Driver Front Mounting Bracket (DFM)

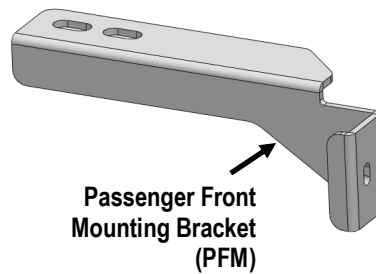


Driver Rear Mounting Bracket (DRM)

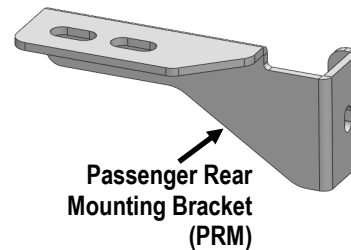
Front



Passenger Side Step Bar



Passenger Front Mounting Bracket (PFM)



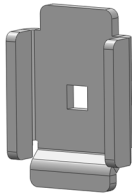
Passenger Rear Mounting Bracket (PRM)

Customer Support: info@iarmorauto.com

iArmor[®]

Hardware Package A (For Bracket Installation)

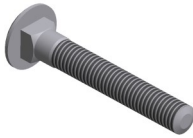
Item	QTY	Description	Item	QTY	Description
1#	4	U Brackets			




1#

Hardware Package B (For Step Bar Installation)


Item	QTY	Description	Item	QTY	Description
1#	4	M8X1.25-55mm Carriage Bolts	3#	4	M8 Lock Washers
2#	4	M8 Large Flat Washers	4#	4	M8 Hex Nuts



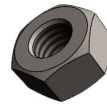
1 #



2#



3 #



4 #

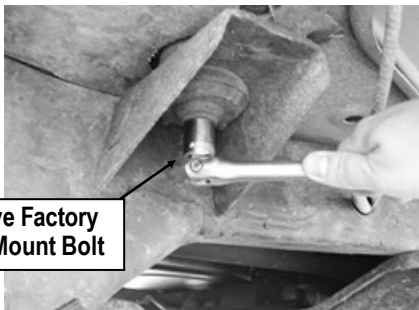
iArmor®

The instruction here is for your reference only. We strongly recommend the professional installer for best result. We are not responsible for any damage caused by the installation.

STEP 1

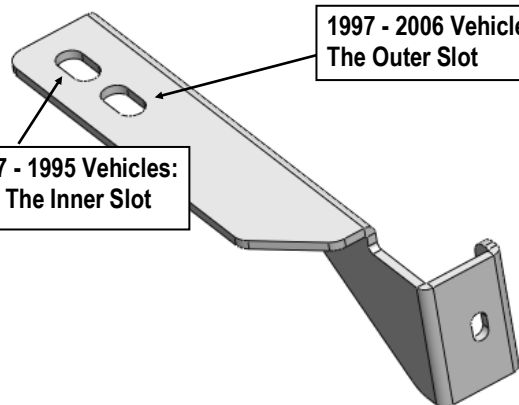
Start installation toward the front of the driver side of the vehicle. Remove the factory body mount bolt (**Fig 1**). Select Driver Front Mounting Bracket. Insert the factory body mount bolt through the appropriate slot, the rubber bushing and back into the vehicle. **NOTE:** Do not remove the rubber bushing. The Mounting Bracket will install over the rubber bushing. **IMPORTANT:** The Brackets are equipped with (2) mounting slots. Determine correct model year for proper installation (**Fig2**):

- 1987 - 1995 Vehicles:** Use the inner slot. Do not tighten hardware at this time.
- 1997 - 2006 Vehicles:** Use the outer slot. Do not tighten hardware at this time.



Remove Factory Body Mount Bolt

(Fig 1) Remove Factory Body Mount Bolt



1987 - 1995 Vehicles:
Use The Inner Slot

1997 - 2006 Vehicles: Use
The Outer Slot

(Fig 2) Driver Front Mounting Bracket

STEP 2

Repeat **Step 1** for the driver side rear bracket installation.

STEP 3

Once all (2) driver side mounting brackets are installed, select and attach the Driver Side Step Bar onto the Mounting Brackets with (2) U Brackets, (2) M8X1.25-55mm Carriage Bolts, (2) M8 Large Flat Washers, (2) M8 Lock Washers and (2) M8X1.25 Hex Nuts (**Fig 3**). Do not fully tighten hardware at this time.

STEP 4

Properly level and adjust the Step Bar and fully tighten all hardware.

STEP 5

Move to the passenger side of the vehicle. Repeat **Steps 1-4** to install passenger side step bar.

Installation completed.

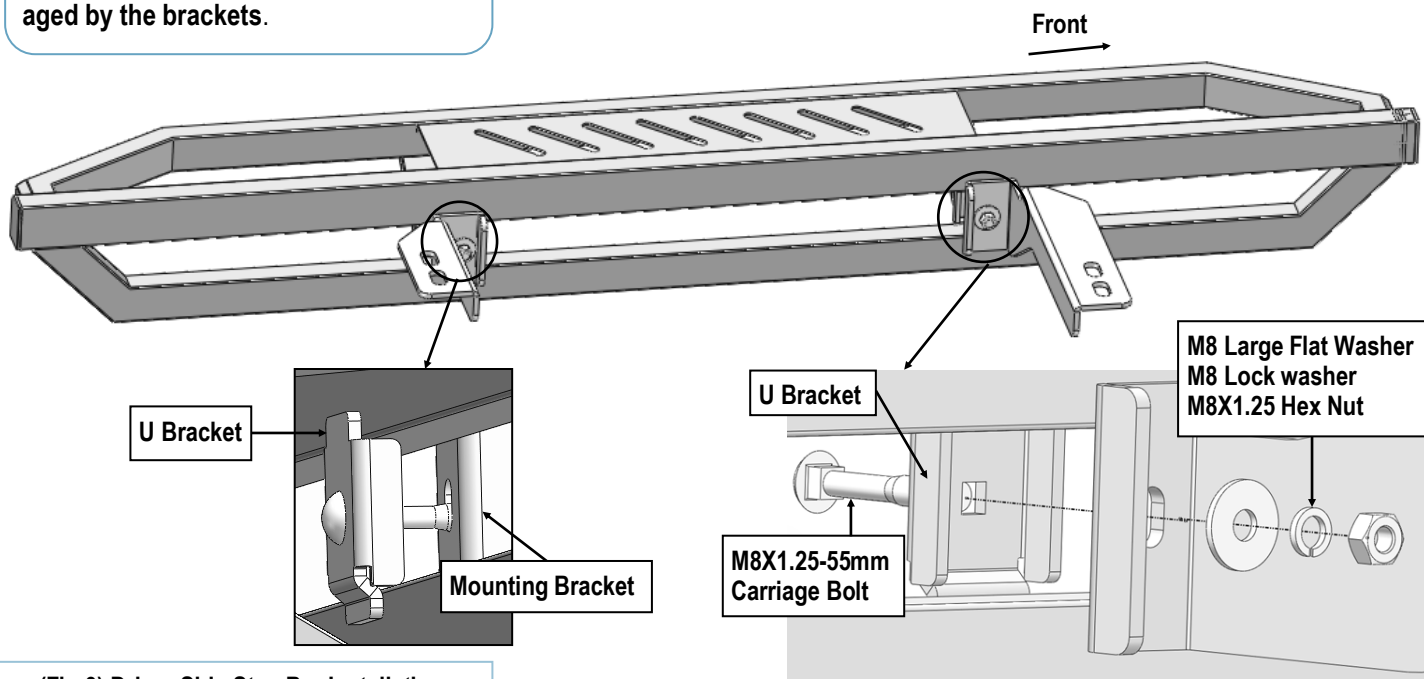
Attention

Do periodic inspections to the installation to make sure that all hardware is secure and tight.

In order to protect your bars/boards, please use mild soap/non-abrasive products for cleaning only.

iArmor[®]

NOTE: Torque all M8 X1.25-55mm Carriage Bolts to 16~18 lb-ft. Don't over tighten, or the square bars will be damaged by the brackets.



(Fig 3) Driver Side Step Bar Installation