

iArmor®

IARMOR EDGE™

PART#: IA-N116H

BEFORE INSTALLATION

REMOVE CONTENTS FROM BOX. VERIFY ALL PARTS ARE PRESENT. READ INSTRUCTIONS CAREFULLY BEFORE STARTING INSTALLATION. ASSISTANCE IS RECOMMENDED. THANK YOU FOR CHOOSING OUR PRODUCT!

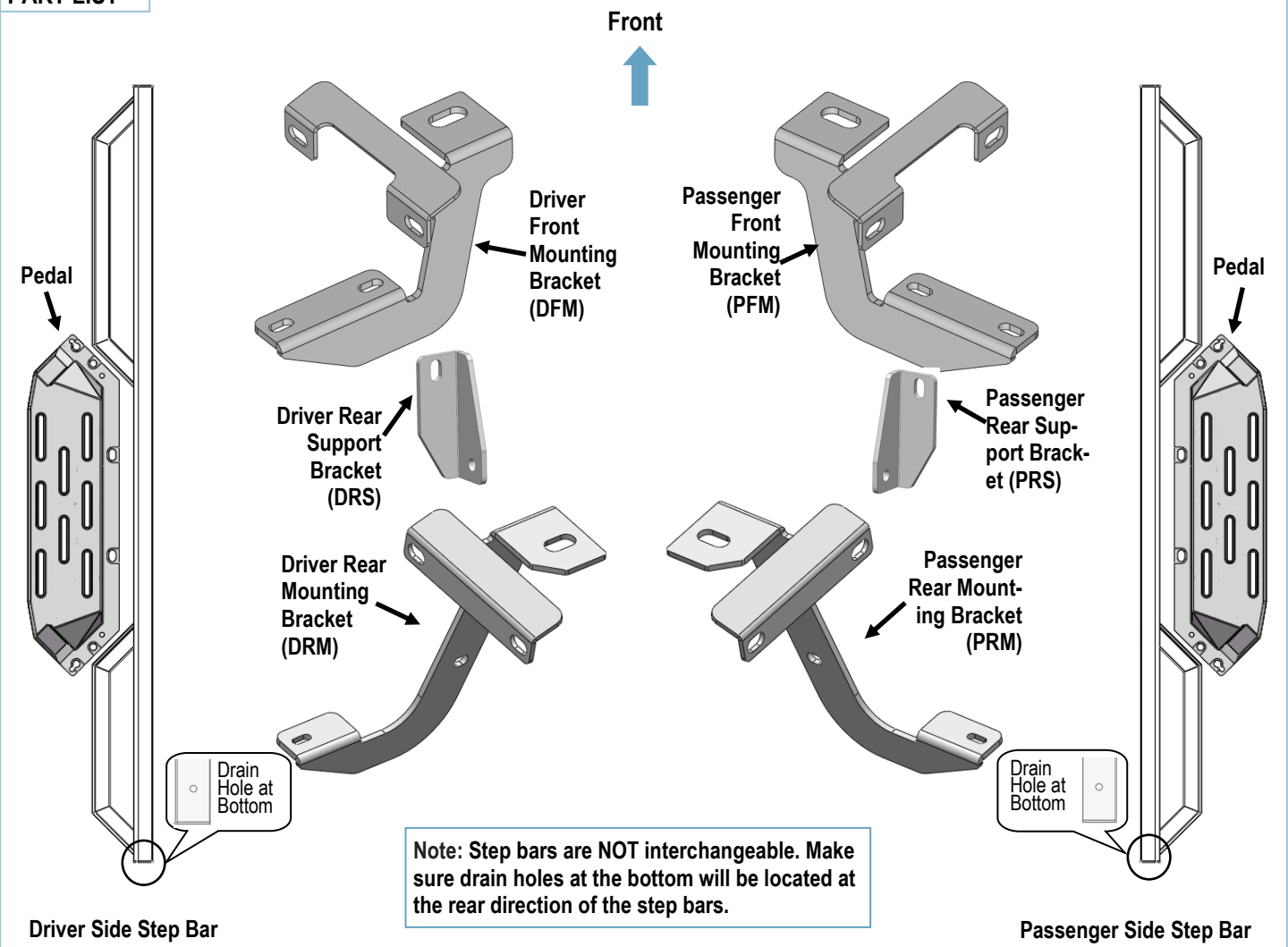
*ROCKER PANEL MOUNT

*DRILLING NOT REQUIRED

Torque Value

Fastener Size	Tightening Torque (ft-lbs)	Required
6mm	6-7	√
8mm	16-18	√
10mm	31-32	X
12mm	56-58	X
14mm	92-94	X

PART LIST

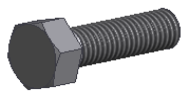


Customer Support: info@iarmorauto.com

iArmor[®]

Hardware Package A (For Brackets & Bars Installation)

Item	QTY	Description	Item	QTY	Description
1#	6	M8X1.25-35mm Hex Bolts	7#	18	M6 Large Flat Washers
2#	4	M8 Flat Washers	8#	10	M6 Nylon Lock Nuts
3#	4	M8 Lock Washers	9#	2	M6X1-20 Square Head Bolts
4#	10	M8 Large Flat Washers	10#	6	M8X1.25-20 T-Bolts
5#	8	M8X1.25mm Nylon Lock Nuts	11#	6	M8 Plastic Washers
6#	8	M6X1-25 Hex Bolts			



1 #



2 #



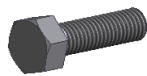
3 #



4 #



5 #



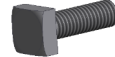
6 #



7 #



8 #



9 #



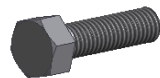
10 #



11 #

Hardware Package B (For Step Pedals Installation)

Item	QTY	Description	Item	QTY	Description
1#	12	M8X1.25-25 Hex Bolts	3#	12	M8 Lock Washers
2#	12	M8 Large Flat Washers			



1#



2#



3#

Customer Support: info@iarmorauto.com

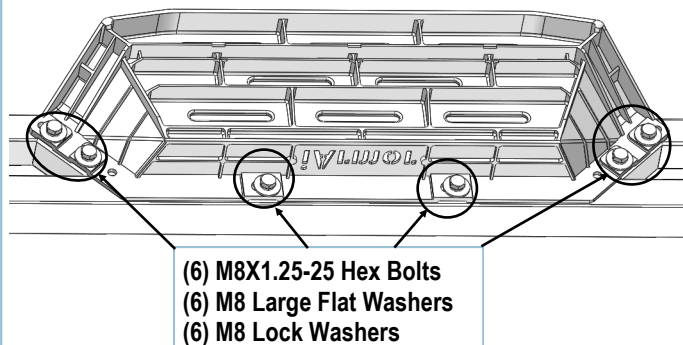
iArmor®

The instruction here is for your reference only. We strongly recommend the professional installer for best result. We are not responsible for any damage caused by the installation.

STEP 1

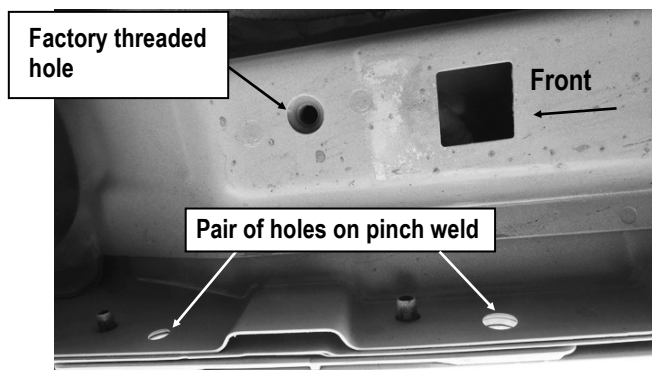
Install (2) Pedals onto the step bars with (12) M8X1.25-25mm Hex Bolts, (12) M8 Large Flat Washers and (12) M8 Lock Washers.

IMPORTANT: Don't punch the pedal with any metal hammer within pedal installation, or the pedal will be damaged.



STEP 2

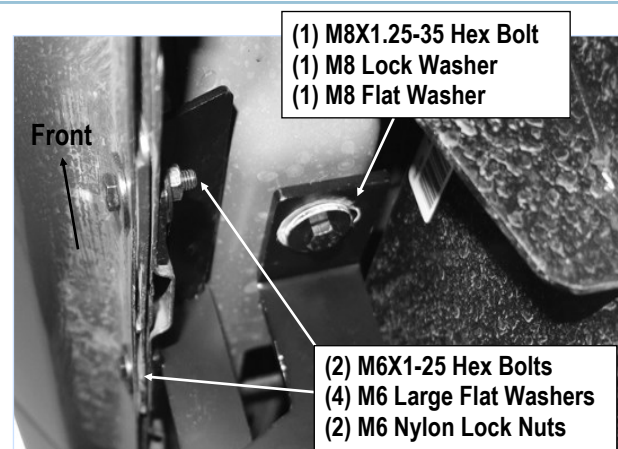
Start installation from the passenger side of the vehicle. Locate the Passenger Side Front Mounting position, locate two holes on the pinch weld and one threaded hole on the bottom floor, (Fig 1).



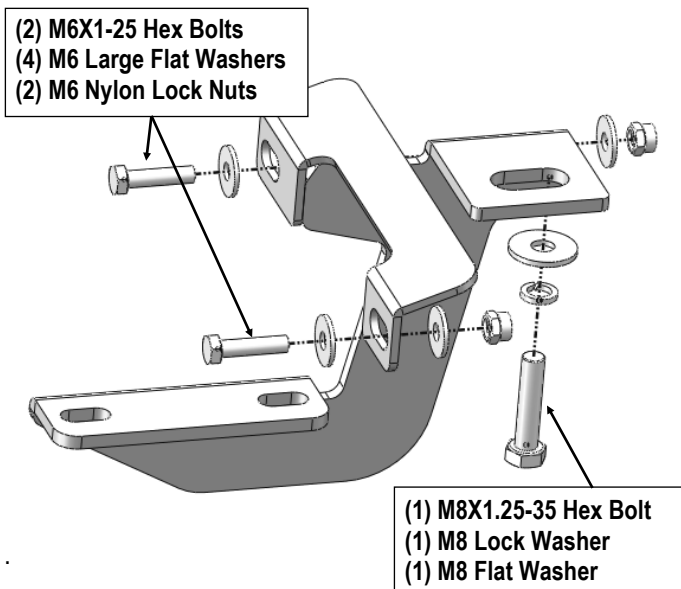
(Fig 1) Passenger Side Front Mounting Location

STEP 3

Attach the Passenger Front Mounting Bracket (PFM) on the mounting position. Specifically mount Passenger Front Mounting Bracket to the bottom threaded hole with (1) M8X1.25-35 Hex Bolt, (1) M8 Flat Washer and (1) M8 Lock Washer; install Passenger Front Support Bracket to the pinch weld with (2) M6X1-25 Hex Bolts, (4) M6 Large Flat Washers, and (2) M6 Nylon Lock Nuts, (Figs 2&3). Do not fully tighten hardware at this time.



(Fig 2) Passenger Front Mounting Bracket Installed

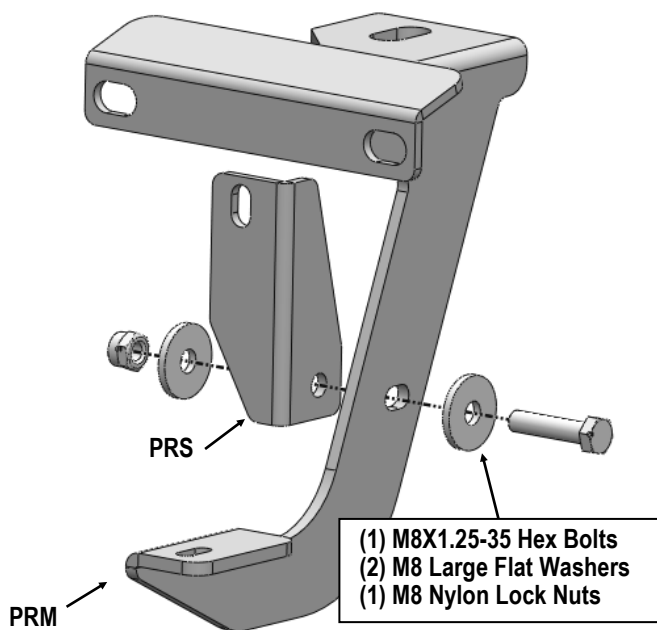


(Fig 3) Passenger Front Mounting Bracket Installation

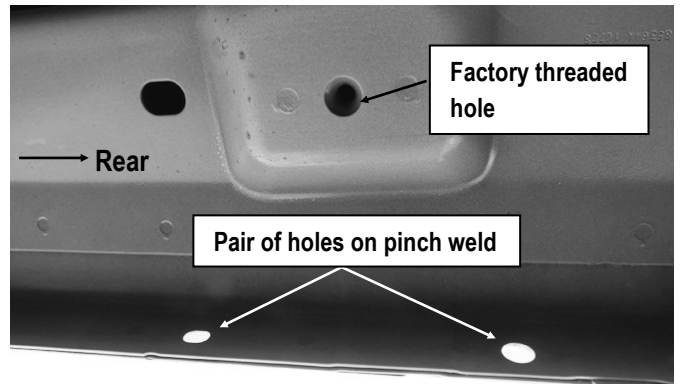
iArmor®

STEP 4

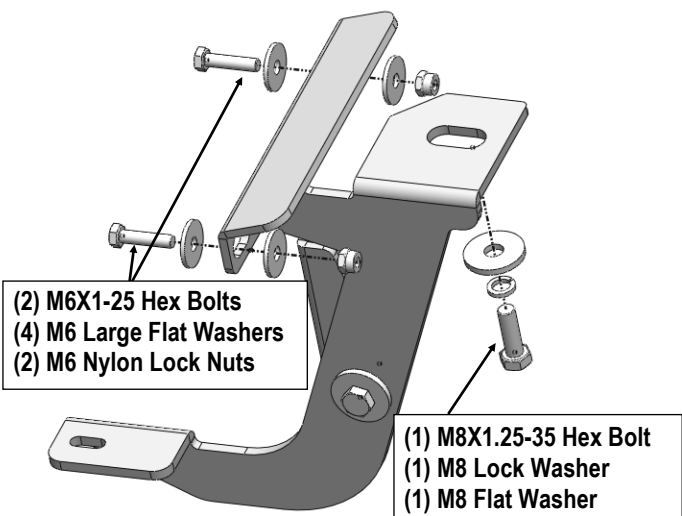
Assemble the Passenger Rear Mounting Bracket (**PRM**) and Passenger Rear Support Bracket (**PRS**) with (1) M8X1.25-35 Hex Bolt, (2) M8 Large Flat Washers and (1) M8 Nylon Lock Nut, (**Fig 4**). Do not fully tighten hardware at this time.



(Fig 4) Passenger Rear Mounting Brackets Assembly



(Fig 5) Passenger Side Rear Mounting Location



(Fig 6) Passenger Rear Mounting Brackets Installation

STEP 5

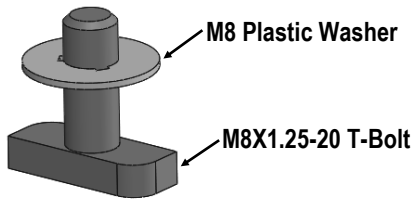
Locate the Passenger Side Rear Mounting position on vehicle (**Fig 5**). Attach the assembled Passenger Rear Mounting Bracket to the mounting position, (**Fig 6**). Mount **PRM** to the bottom threaded hole with (1) M8X1.25-35 Hex Bolt, (1) M8 Flat Washer and (1) M8 Lock Washer; install to the pinch weld with (2) M6X1-25 Hex Bolts, (4) M6 Large Flat Washers, and (2) M6 Nylon Lock Nuts. Do not fully tighten hardware at this time.

STEP 6

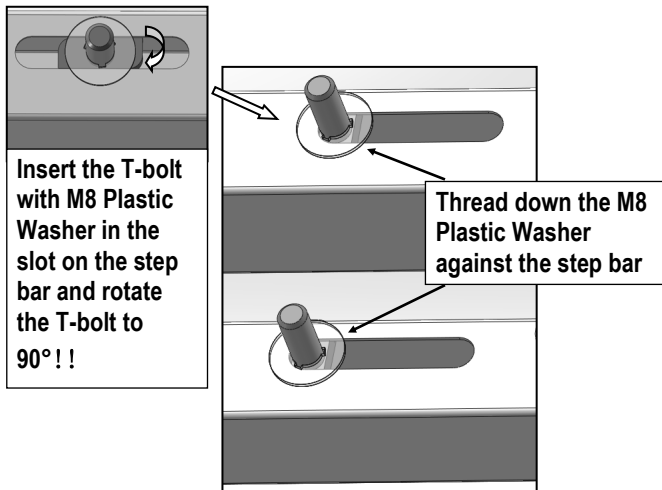
Once all (2) brackets have been installed, select (3) M8X1.25-20mm T-Bolts, thread (1) M8 Plastic Washer on each T-Bolt, (**Fig 7**). Install the (3) M8X1.25-20mm T-Bolts with plastic washers in the slots on the assembled Passenger side step bar. Rotate the T-Bolts to 90 degree, thread down the M8 Plastic Washers against the step bar (**Fig 8**).

NOTE: The Plastic Washer is designed to keep the T-Bolt in place to avoid falling into the tube during installation.

iArmor[®]



(Fig 7) Thread (1) M8 Plastic Washer on each T-Bolt Before Inserting into the slot !!!



(Fig 8) T-Bolt with plastic washer in the slot

STEP 7

Attach the Assembled Passenger Side Step Bar onto the Mounting Brackets with (3) M8 Plastic Washers, (3) M8X1.25-20mm T-Bolts, (3) M8 Large Flat Washers, (3) M8 Nylon Lock Nuts, (Fig 9). Do not fully tighten hardware at this time.

NOTE: Passenger Rear Mounting Bracket is located under the pedal. Slide (1) M6X1-20mm Square Head Bolt into the channel at the bottom of pedal (Fig 10). And secure the Passenger Rear Mounting Bracket to the pedal with (1) M6 Large Flat Washer and (1) M6 Nylon Lock Nut, (Fig 9). Do not fully tighten hardware at this time.

STEP 8

Level and adjust the assembled Step Bar properly and tighten all hardware.

Move to the other side of the vehicle. Repeat **Steps 2-7** for the other Side Step Bar installation.

Attention

Do periodic inspections to the installation to make sure that all hardware is secure and tight.

In order to protect your bars/boards, please use mild soap/non-abrasive products for cleaning only.

iArmor[®]

