

iArmor[®]

iArmor[®] by APS

PART#: IA-S941H

BEFORE INSTALLATION

REMOVE CONTENTS FROM BOX. VERIFY ALL PARTS ARE PRESENT. READ INSTRUCTIONS CAREFULLY BEFORE STARTING INSTALLATION. ASSISTANCE IS RECOMMENDED. THANK YOU FOR CHOOSING OUR PRODUCT!

*ROCKER PANEL MOUNT

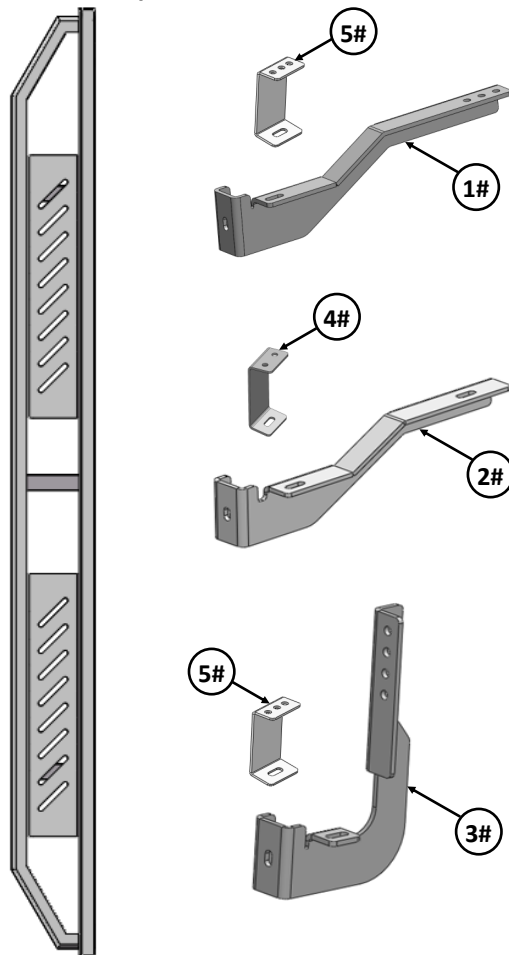
*NO DRILLING / TRIMMING REQUIRED

Torque Value

Fastener Size	Tightening Torque (ft-lbs)	Required
6mm	6-7	√
8mm	16-18	√
10mm	31-32	X
12mm	56-58	X
14mm	92-94	X

PART LIST

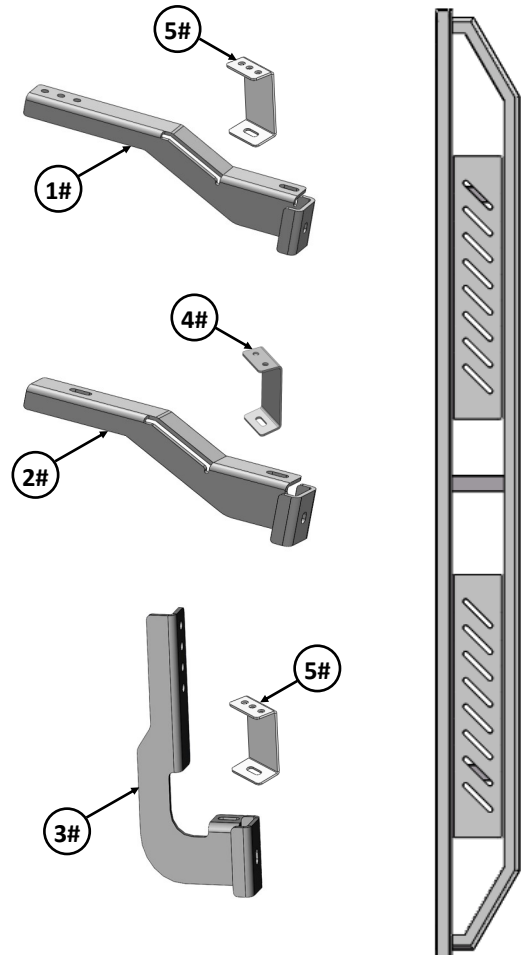
Driver Side Step Bar



Front



Passenger Side Step Bar

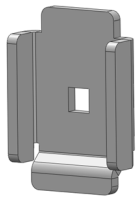


Customer Support: info@iarmorauto.com

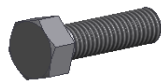
iArmor®

Hardware Package A (For Bracket Installation)

Item	QTY	Description	Item	QTY	Description
1#	2	Driver & Passenger Front Mounting Brackets	6#	6	U Brackets
2#	2	Driver & Passenger Center Mounting Brackets	7#	12	M8X1.25-20mm Hex Bolts
3#	2	Driver & Passenger Rear Mounting Brackets	8#	18	M8 Large Flat Washers
4#	2	Driver & Passenger Center Support Brackets	9#	6	M8X1.25 Nylon Lock Nuts
5#	4	Driver & Passenger Front / Rear Support Brackets	10#	18	ST6.3-25mm Hex Flange Self Tapping Screws



6 #



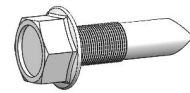
7 #



8 #



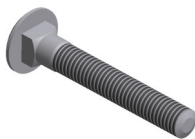
9 #



10 #

Hardware Package B (For Step Bar Installation)

Item	QTY	Description	Item	QTY	Description
1#	6	M8X1.25-55mm Carriage Bolts	3#	6	M8 Lock Washers
2#	6	M8 Large Flat Washers	4#	6	M8 Hex Nuts



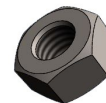
1 #



2#



3 #



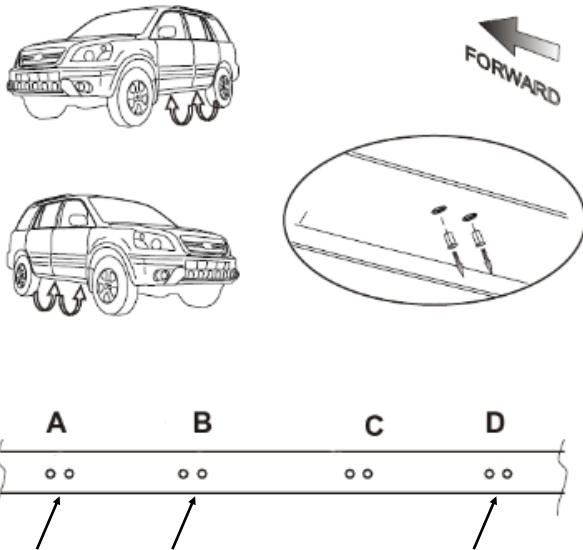
4 #

iArmor®

The instruction here is for your reference only. We strongly recommend the professional installer for best result. We are not responsible for any damage caused by the installation.

STEP 1

Start installation at the front passenger side of the vehicle. (Fig 1). Mounting Brackets will bolt to the 1st, 2nd, (just in front of center of cab), and 4th mounting tabs, (Fig 1).

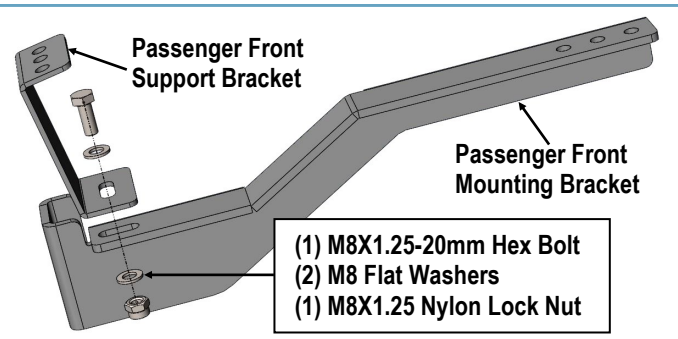


(Fig 1) Passenger Side Mounting Locations

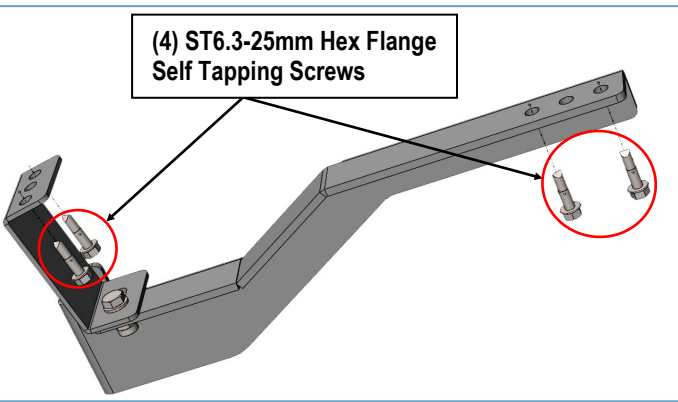
STEP 2

Assemble the Passenger Front Mounting Bracket with the Passenger Front Support Bracket using (1) M8X1.25-20mm Hex Bolt, (2) M8 Flat Washers and (1) M8X1.25 Nylon Lock Nut, as shown, (Fig 2). Do not fully tighten hardware at this time.

Attach the assembled Passenger Side Front Brackets to the vehicle with (4) ST6.3-25mm Hex Flange Self Tapping Screws, (Fig 3).



(Fig 2) Passenger Front Mounting Bracket Assembly



(Fig 3) Passenger Side Front Brackets Installation

STEP 3

Assemble the Passenger Center Mounting Bracket and the Passenger Center Support Bracket using (1) M8X1.25-20mm Hex Bolt, (2) M8 Flat Washers and (1) M8X1.25 Nylon Lock Nut.

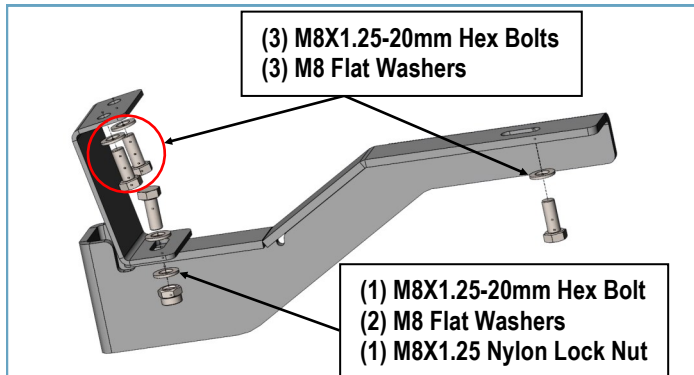
Attach the assembled Passenger Side Center Brackets to vehicle with (3) M8X1.25-20mm Hex Bolts and (3) M8 Flat Washers, (Fig 4).

STEP 4

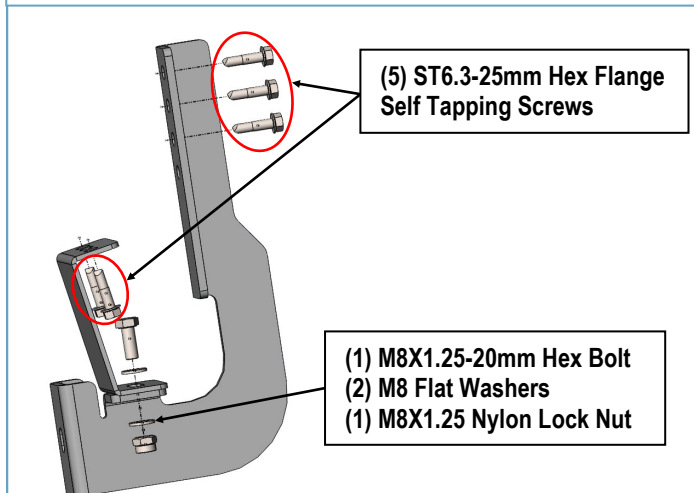
Assemble the Passenger Rear Support Bracket and the Passenger Rear Mounting Bracket using (1) M8X1.25-20mm Hex Bolt, (2) M8 Flat Washers and (1) M8X1.25 Nylon Lock Nut.

Attach the assembled Passenger Side Rear Brackets to the vehicle with (5) ST6.3-25mm Hex Flange Self Tapping Screws, (Fig 5).

iArmor®



(Fig 4) Passenger Side Center Brackets Installation



(Fig 5) Passenger Side Rear Brackets Installation

STEP 5

Once all (3) passenger side mounting brackets are installed, select and attach the Passenger Side Step Bar onto the Mounting Brackets with (3) U Brackets, (3) M8X1.25-55mm Carriage Bolts, (3) M8 Flat Washers, (3) M8 Lock Washers and (3) M8X1.25 Hex Nuts, (Fig 6). Do not fully tighten hardware at this time.

STEP 6

Properly level and adjust the Step Bar and fully tighten all hardware.

STEP 7

Move to the driver side of the vehicle. Repeat **Steps 1-7** to install the driver side step bar.

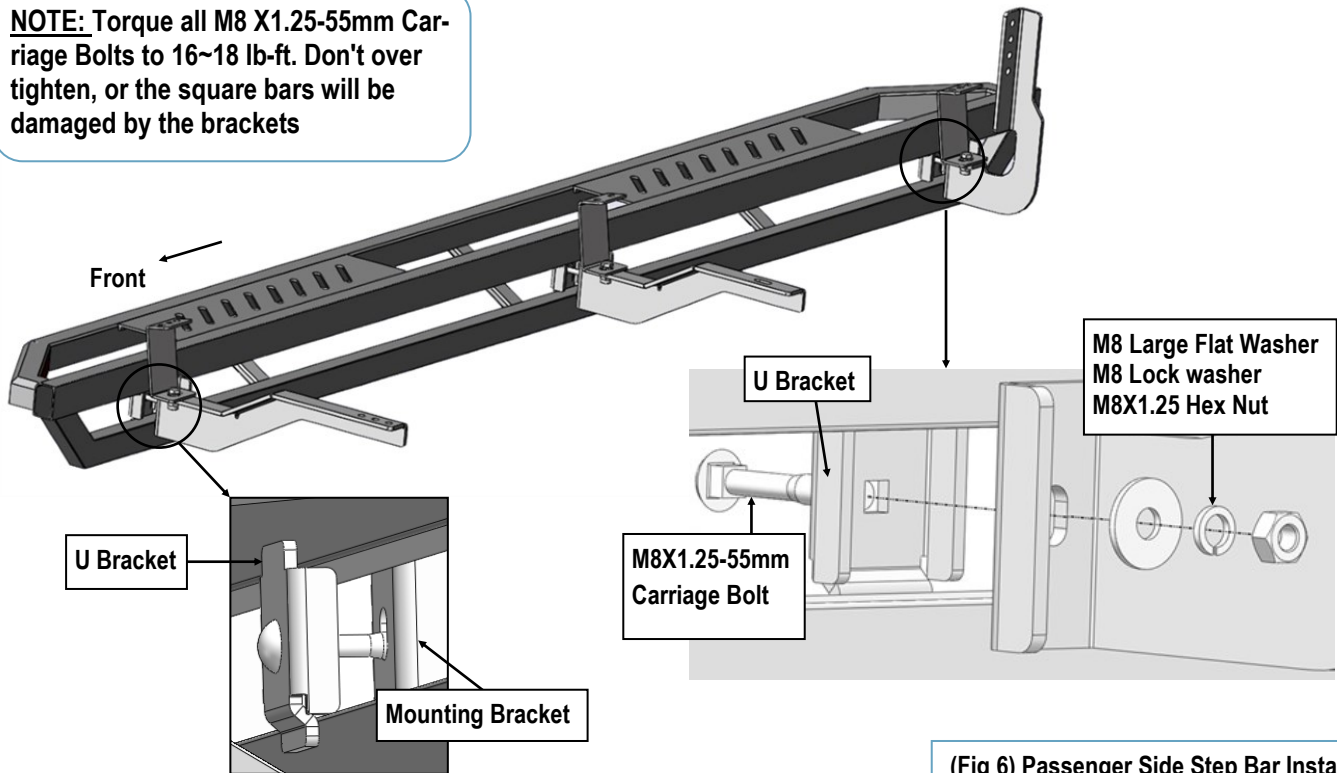
Installation completed.

Attention

Do periodic inspections to the installation to make sure that all hardware is secure and tight.
In order to protect your bars/boards, please use mild soap/non-abrasive products for cleaning only.

iArmor[®]

NOTE: Torque all M8 X1.25-55mm Carriage Bolts to 16~18 lb-ft. Don't over tighten, or the square bars will be damaged by the brackets



(Fig 6) Passenger Side Step Bar Installation