

iArmor[®]

iArmor[®] by APS

PART#: IA-S941

BEFORE INSTALLATION

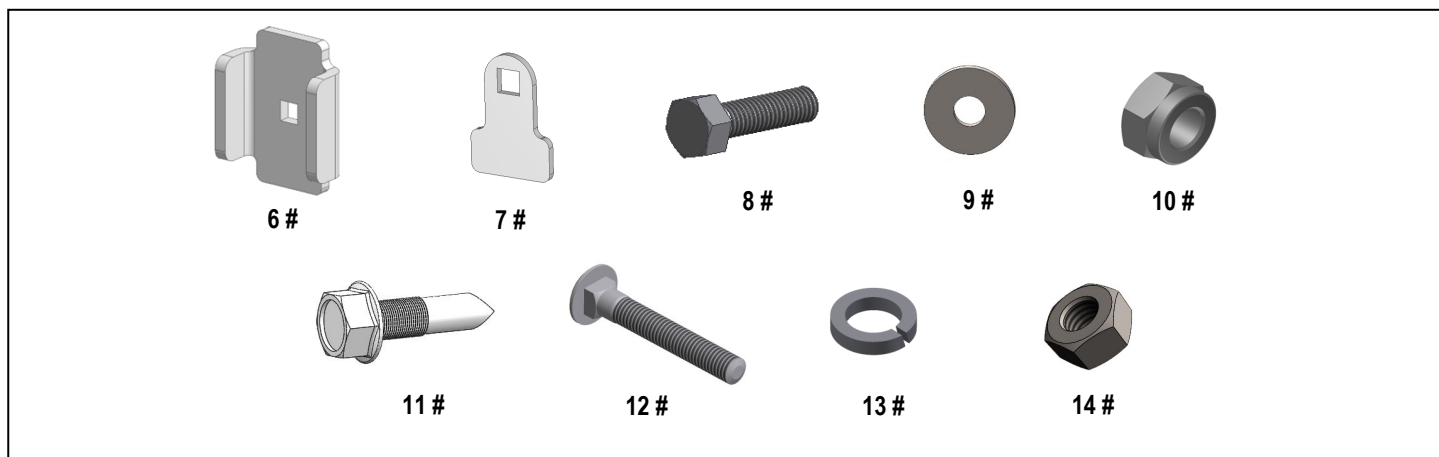
REMOVE CONTENTS FROM BOX. VERIFY ALL PARTS ARE PRESENT. READ INSTRUCTIONS CAREFULLY BEFORE STARTING INSTALLATION. ASSISTANCE IS RECOMMENDED. THANK YOU FOR CHOOSING OUR PRODUCT!

*ROCKER PANEL MOUNT

*NO DRILLING /TRIMMING REQUIRED

Fastener Size	Tightening Torque (ft-lbs)	Required
6mm	6-7	X
8mm	16-18	√
10mm	31-32	X
12mm	56-58	X
14mm	92-94	X

Item	QTY	Description	Item	QTY	Description
1#	2	Driver & Passenger Front Mounting Brackets	8#	12	M8X1.25-20mm Hex Bolts
2#	2	Driver & Passenger Center Mounting Brackets	9#	24	M8 Flat Washers
3#	2	Driver & Passenger Rear Mounting Brackets	10#	6	M8X1.25 Nylon Lock Nuts
4#	2	Driver & Passenger Center Support Brackets	11#	18	ST6.3-25mm Hex Flange Self Tapping Screws
5#	4	Driver & Passenger Front / Rear Support Brackets	12#	6	M8X1.25-55mm Carriage Bolts
6#	6	U Brackets	13#	6	M8 Lock Washers
7#	12	Spacers	14#	6	M8X1.25 Hex Nuts



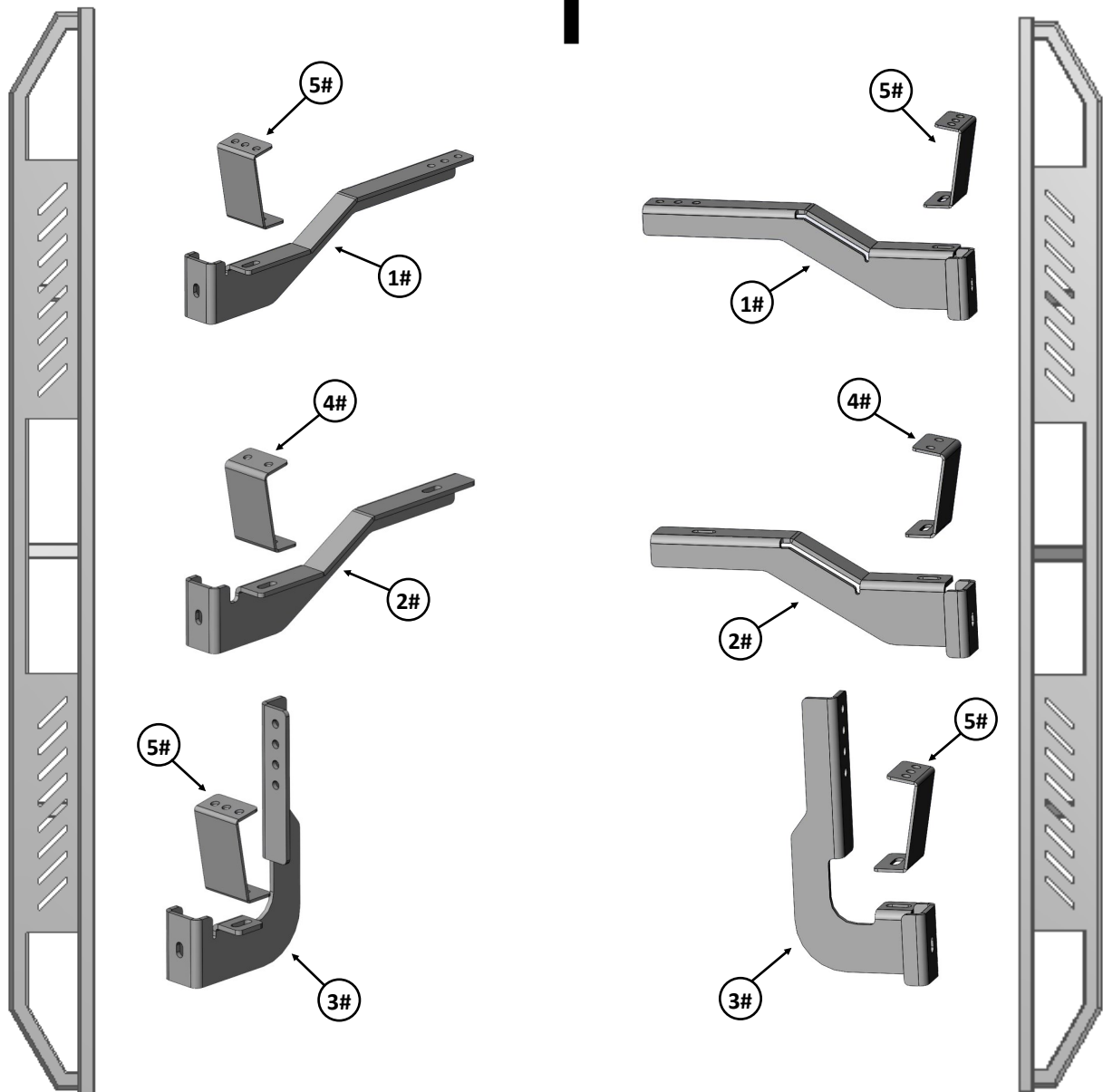
Customer Support: info@iarmorauto.com

iArmor[®]

Driver

Front

Passenger

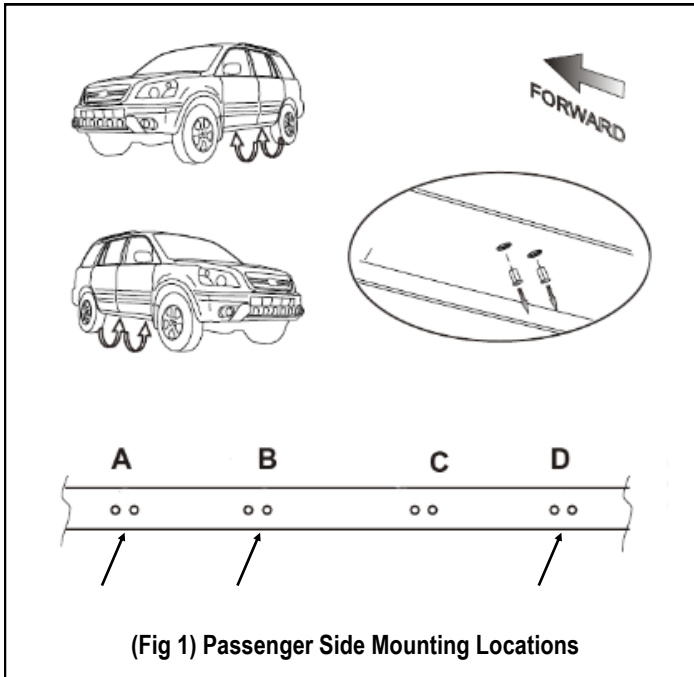


iArmor®

The instruction here is for your reference only. We strongly recommend the professional installer for best result. We are not responsible for any damage caused by the installation.

STEP 1

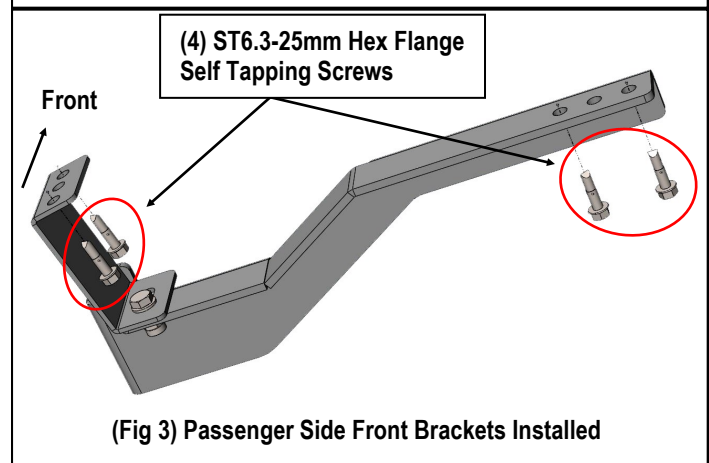
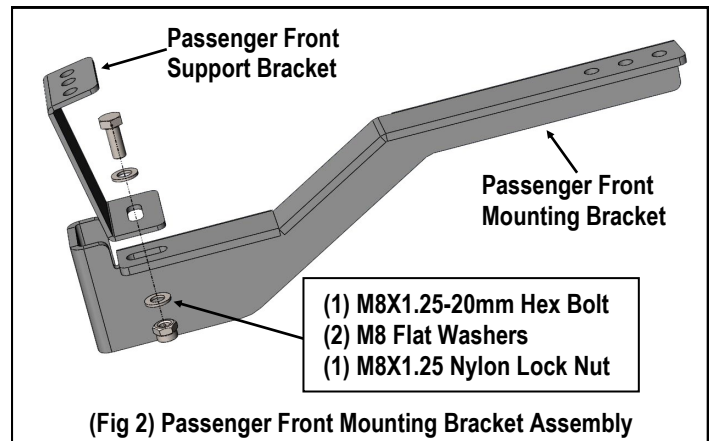
Start installation at the front passenger side of the vehicle. (Fig 1). Mounting Brackets will bolt to the 1st, 2nd, (just in front of center of cab), and 4th mounting tabs, (Fig 1).



STEP 2

Assemble the Passenger Front Mounting Bracket with the Passenger Front Support Bracket using (1) M8X1.25-20mm Hex Bolt, (2) M8 Flat Washers and (1) M8X1.25 Nylon Lock Nut, as shown, (Fig 2). Do not fully tighten hardware at this time.

Attach the assembled Passenger Side Front Brackets to the vehicle with (4) ST6.3-25mm Hex Flange Self Tapping Screws, (Fig 3).



STEP 3

Assemble the Passenger Center Mounting Bracket and the Passenger Center Support Bracket using (1) M8X1.25-20mm Hex Bolt, (2) M8 Flat Washers and (1) M8X1.25 Nylon Lock Nut.

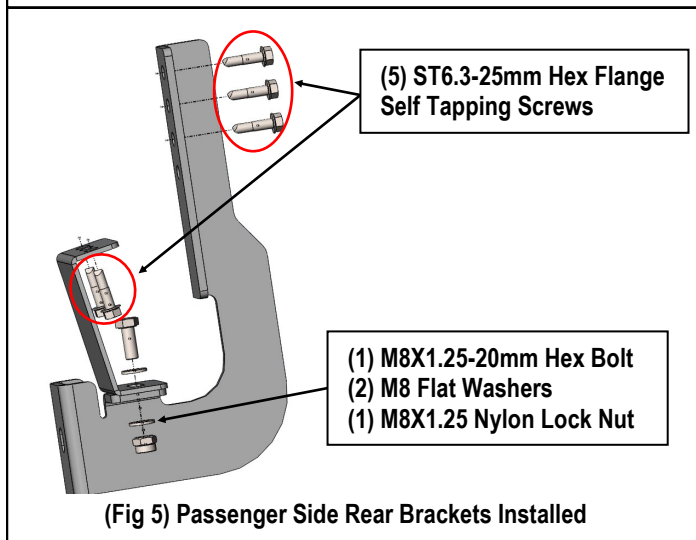
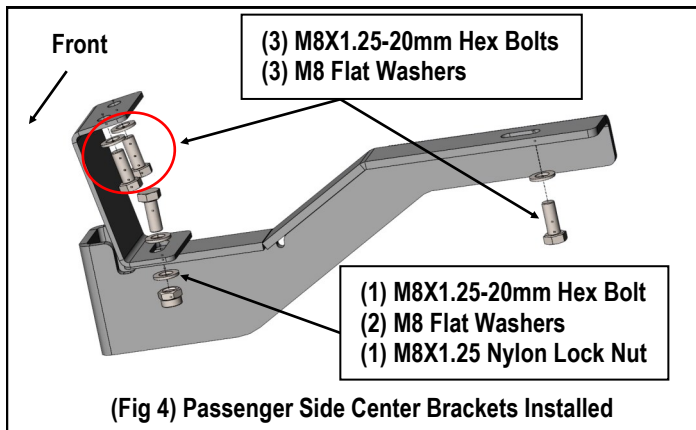
Attach the assembled Passenger Side Center Brackets to vehicle with (3) M8X1.25-20mm Hex Bolts and (3) M8 Flat Washers, (Fig 4).

STEP 4

Assemble the Passenger Rear Support Bracket and the Passenger Rear Mounting Bracket using (1) M8X1.25-20mm Hex Bolt, (2) M8 Flat Washers and (1) M8X1.25 Nylon Lock Nut.

Attach the assembled Passenger Side Rear Brackets to the vehicle with (5) ST6.3-25mm Hex Flange Self Tapping Screws, (Fig 5).

iArmor®



STEP 5

Once all (3) passenger side mounting brackets are installed, select and attach the Passenger Side Step Bar onto the Mounting Brackets with (3) U Brackets, (6) Spacers, (3) M8X1.25-55mm Carriage Bolts, (3) M8 Flat Washers, (3) M8 Lock Washers and (3) M8X1.25 Hex Nuts, (Fig 6). Do not fully tighten hardware at this time.

STEP 6

Properly level and adjust the Step Bar and fully tighten all hardware.

STEP 7

Move to the driver side of the vehicle. Repeat **Steps 1-7** to install the driver side step bar.

Installation completed.

Attention

Do periodic inspections to the installation to make sure that all hardware is secure and tight.

In order to protect your bars/boards, please use only mild soap/non-abrasive products for cleaning.

NOTE: Torque all M8 X1.25-55mm Carriage Bolts to 16~18 lb-ft. Don't over tighten, or the aluminum square bars will be damaged by the brackets

