

iArmor®

IARMOR EDGE™

PART#: IA-W010

BEFORE INSTALLATION, REMOVE CONTENTS FROM BOX. VERIFY ALL PARTS ARE PRESENT. READ INSTRUCTIONS CAREFULLY BEFORE STARTING INSTALLATION. ASSISTANCE IS RECOMMENDED. THANK YOU FOR CHOOSING OUR PRODUCT!

*ROCKER PANEL MOUNT

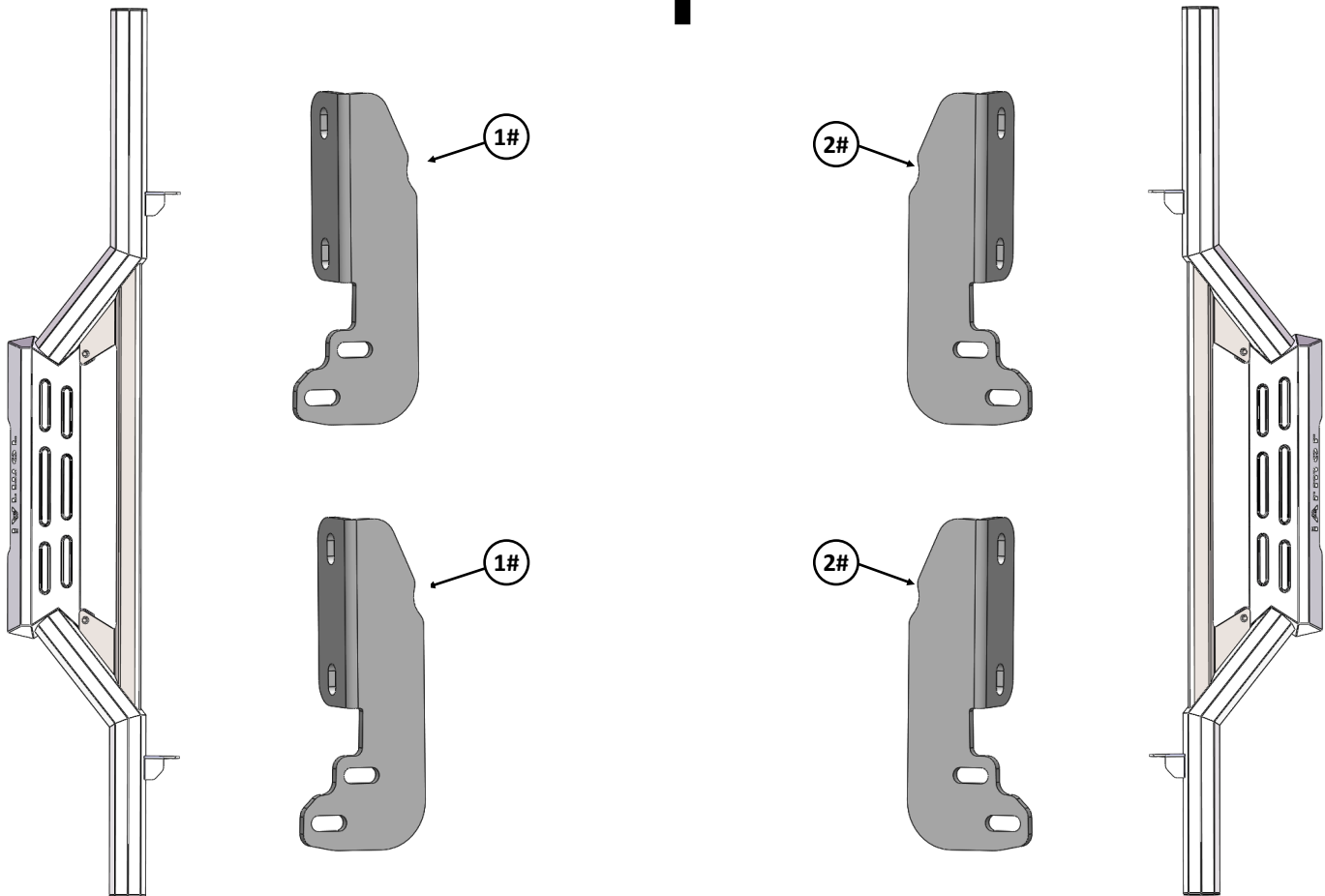
*DRILLING/TRIMMING NOT REQUIRED

Fastener Size	Tightening Torque (ft-lbs)	Required
6mm	6-7	X
8mm	16-18	√
10mm	31-32	√
12mm	56-58	X
14mm	92-94	X

Driver

Front

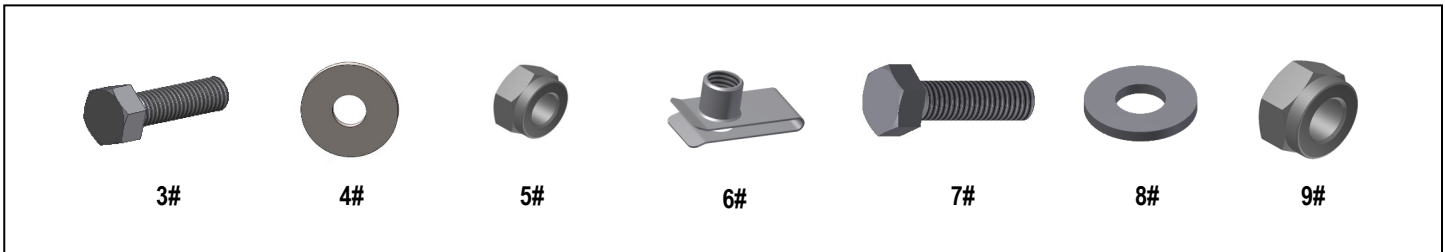
Passenger



Customer Support: info@iarmorauto.com

iArmor[®]

Hardware Package (For Brackets & Step Bars Installation)					
Item	QTY	Description	Item	QTY	Description
1#	2	Driver Side Front / Rear Mounting Brackets	6#	4	M8 Clip Nuts
2#	2	Passenger Side Front / Rear Mounting Brackets	7#	8	M10X1.5-25 Hex Bolts
3#	8	M8X1.25-25 Hex Bolts	8#	16	M10 Flat Washers
4#	12	M8 Large Flat Washers	9#	8	M10X1.5 Nylon Lock Nuts
5#	4	M8X1.25 Nylon Lock Nuts			



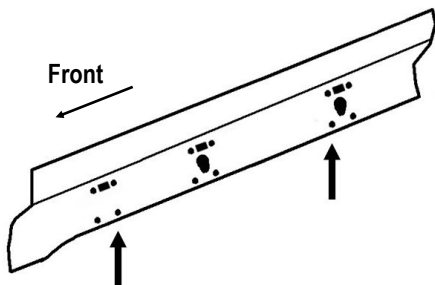
iArmor®

The instruction here is for your reference only. We strongly recommend the professional installer for best result. We are not responsible for any damage caused by the installation.

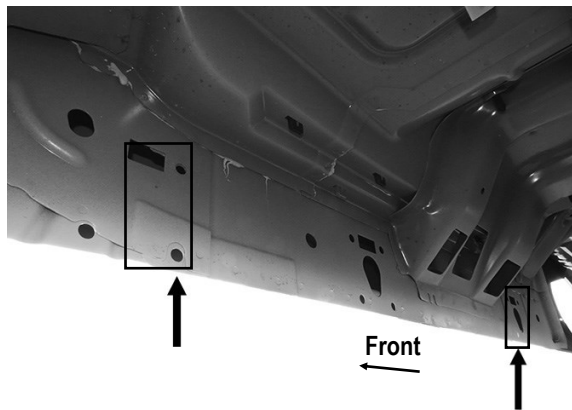
STEP 1

Starting from the passenger side of the vehicle, locate the passenger side mounting locations, (Figs 1 & 2).

NOTE: The mounting holes may be covered by sealing tapes or insulation, remove as required.



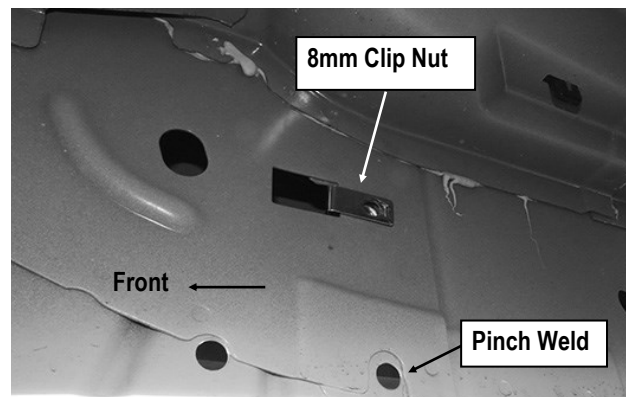
(Fig 1) Passenger Side Mounting Locations



(Fig 2) Passenger Side Mounting Locations

STEP 2

Locate the Passenger Side Front Mounting Location, insert (1) M8 Clip Nut into the rectangular opening with the nut towards the inside. Line up the threaded nut on the clip with the round hole toward the rear, (Fig 3).

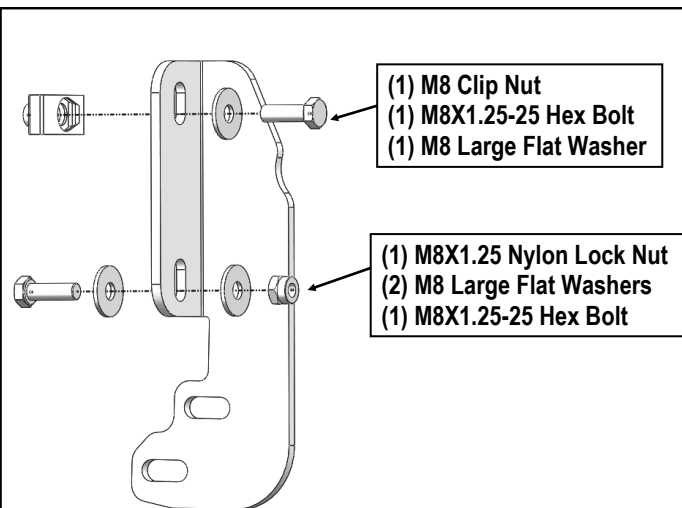


(Fig 3) M8 Clip Nut Installed
(On Passenger Side Front Mounting Location)

STEP 3

Attach the Passenger Front Mounting Bracket to the installed M8 Clip Nut with (1) M8X1.25-25 Hex Bolt and (1) M8 Large Flat Washer, (Fig 4).

Next, secure the lower mounting hole of the mounting bracket to the pinch weld with (1) M8X1.25-25 Hex Bolt, (2) M8 Large Flat Washers and (1) M8X1.25 Nylon Lock Nut, (Fig 4). Do not fully tighten hardware at this time.



(Fig 4) Passenger Front Mounting Bracket Installation

STEP 4

Move to the Passenger Side Rear Mounting Location. Repeat **Steps 2-3** to attach the Passenger Rear Mounting Bracket to the vehicle. Do not fully tighten hardware at this time.

STEP 5

Once all (2) Mounting Brackets have been installed, attach the Passenger Side Step Bar to the Mounting Brackets with (4) M10X1.5-25 Hex Bolts, (8) M10 Flat Washers and (4) M10X1.5 Nylon Lock Nuts, (**Fig 4**). Do not fully tighten hardware at this time.

STEP 6

Properly level and adjust the Step Bar and fully tighten all hardware.

STEP 7

Move to the other side of the vehicle. Repeat **Steps 1–6** for other side Step Bar installation.

Attention

Do periodic inspections to the installation to make sure that all hardware is secure and tight.

In order to protect your bars/boards, please use mild soap/non-abrasive products for cleaning only.

