

iArmor®

IARMOR EDGE™

PART#: IA-W239

BEFORE INSTALLATION

REMOVE CONTENTS FROM BOX. VERIFY ALL PARTS ARE PRESENT. READ INSTRUCTIONS CAREFULLY BEFORE STARTING INSTALLATION. ASSISTANCE IS RECOMMENDED. THANK YOU FOR CHOOSING OUR PRODUCT!

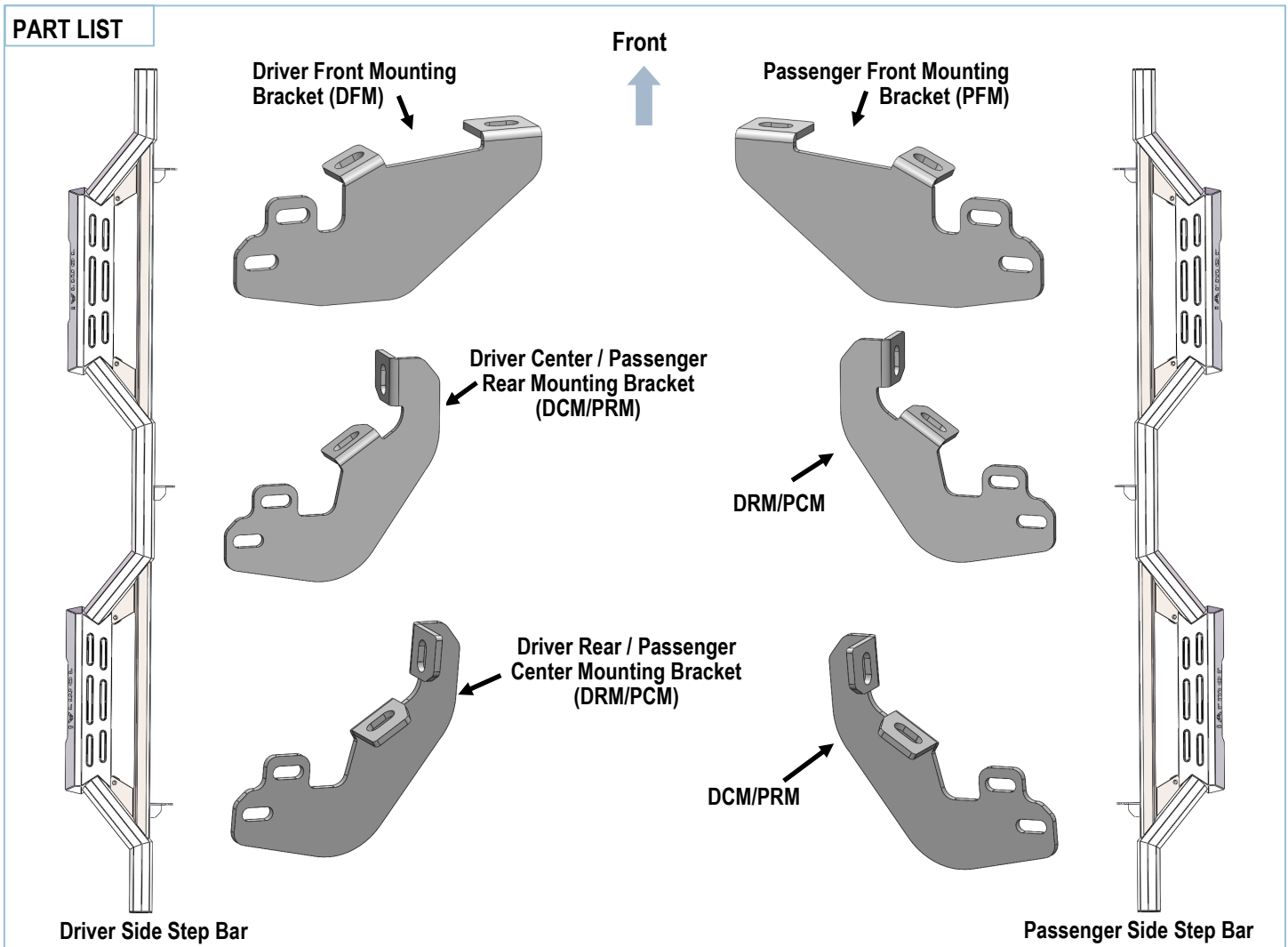
*ROCKER PANEL MOUNT

*DRILLING/TRIMMING NOT REQUIRED

Torque Value

Fastener Size	Tightening Torque (ft-lbs)	Required
6mm	6-7	X
8mm	16-18	X
10mm	31-32	√
12mm	56-58	X
14mm	92-94	X

PART LIST

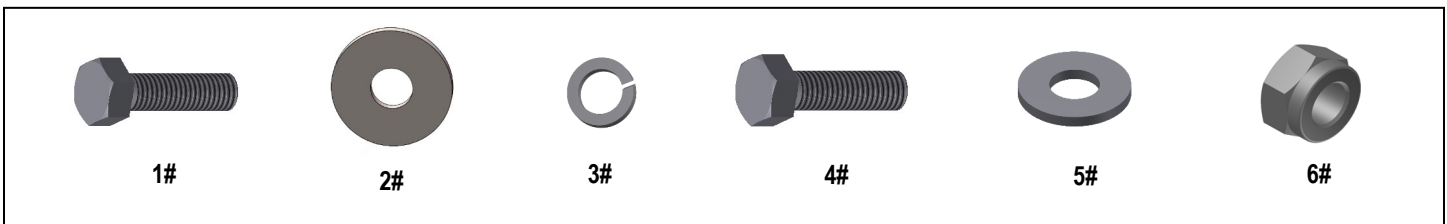


Customer Support: info@iarmorauto.com

iArmor[®]

Hardware Package (For Brackets & Step Bars Installation)

Item	QTY	Description	Item	QTY	Description
1#	24	M10X1.5-25 Hex Bolts	4#	24	M10 Flat Washers
2#	12	M10 Large Flat Washers	5#	12	M10X1.5 Nylon Lock Nuts
3#	12	M10 Lock Washers			

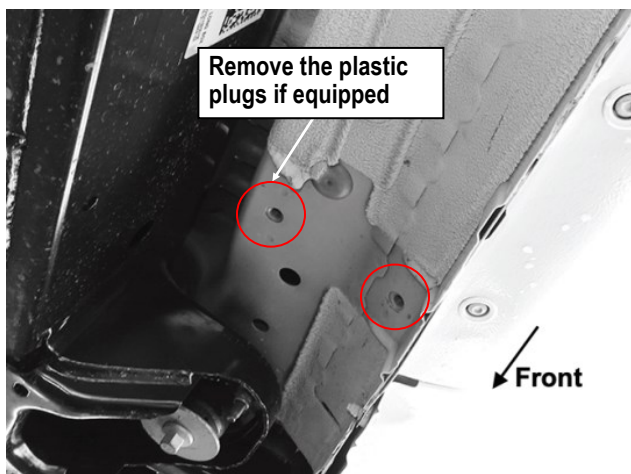


iArmor[®]

The instruction here is for your reference only. We strongly recommend the professional installer for best result. We are not responsible for any damage caused by the installation.

STEP 1

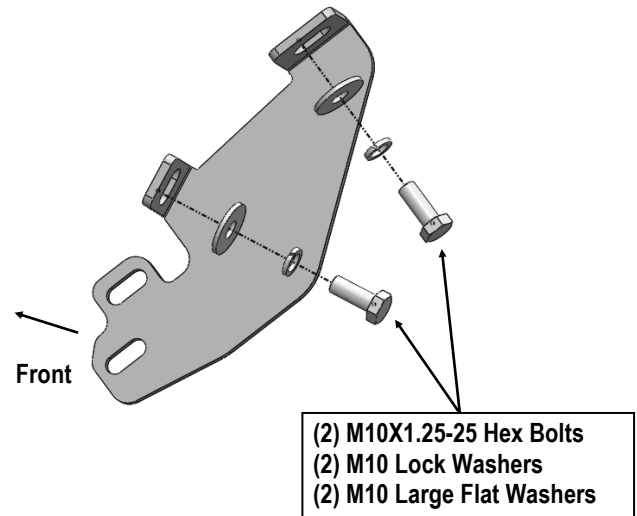
Start the installation under the passenger side of the vehicle. Locate the front mounting location and the threaded holes in the body panel, (**Fig 1**). Remove the plastic plugs covering the holes if equipped.



(Fig 1) Passenger Front Mounting Location

STEP 2

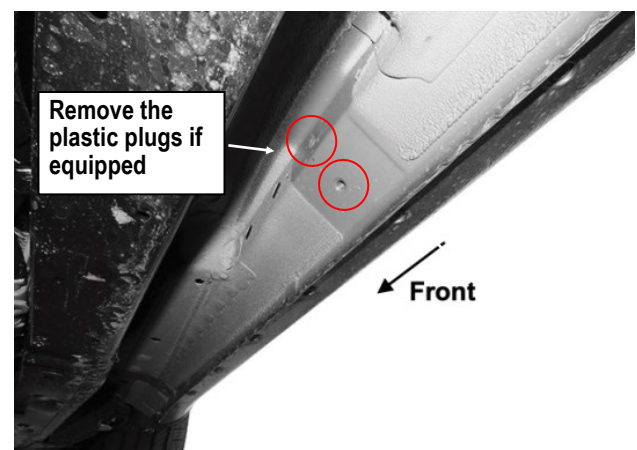
Select the Passenger Front Mounting Bracket (**PFM**). Attach the Mounting Bracket to the front location with (2) M10X1.25-25mm Hex Bolts, (2) M10 Lock Washers and (2) M10 Large Flat Washers, (**Fig 2**). Do not fully tighten hardware at this time.



(Fig 2) Passenger Front Mounting Bracket Installation

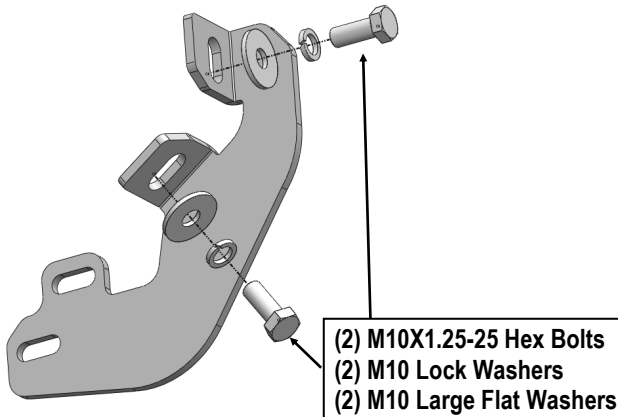
STEP 3

Repeat **Steps 1-2** to attach Passenger Center Mounting Bracket (**DRM/PCM**) and Passenger Rear Mounting Bracket (**DCM/PRM**), (**Figs 3-6**). Do not fully tighten hardware at this time.

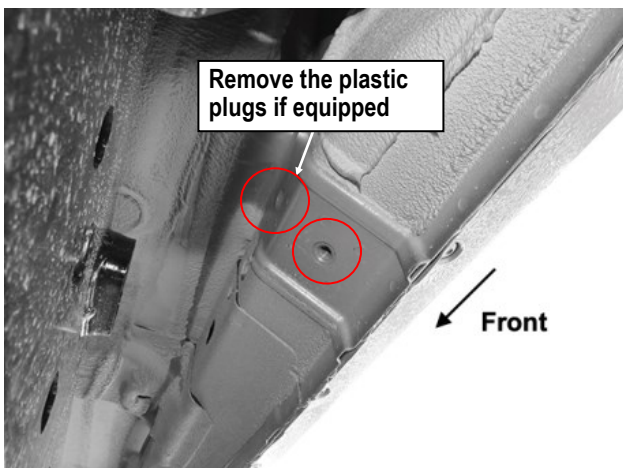


(Fig 3) Passenger Side Center Mounting Location

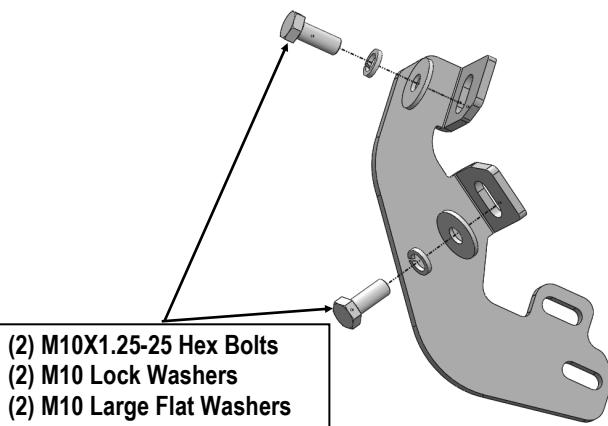
iArmor®



(Fig 4) Passenger Center Mounting Bracket Installation



(Fig 5) Passenger Side Rear Mounting Location



(Fig 6) Passenger Rear Mounting Bracket Installation

STEP 4

Once all (3) Mounting Brackets have been installed, attach the Passenger Side Step Bar to the Mounting Brackets with (6) M10X1.5-25 Hex Bolts, (12) M10 Flat Washers and (6) M10X1.5 Nylon Lock Nuts, (Fig 7). Do not fully tighten hardware at this time.

STEP 5

Properly level and adjust the Step Bar and fully tighten all hardware.

STEP 6

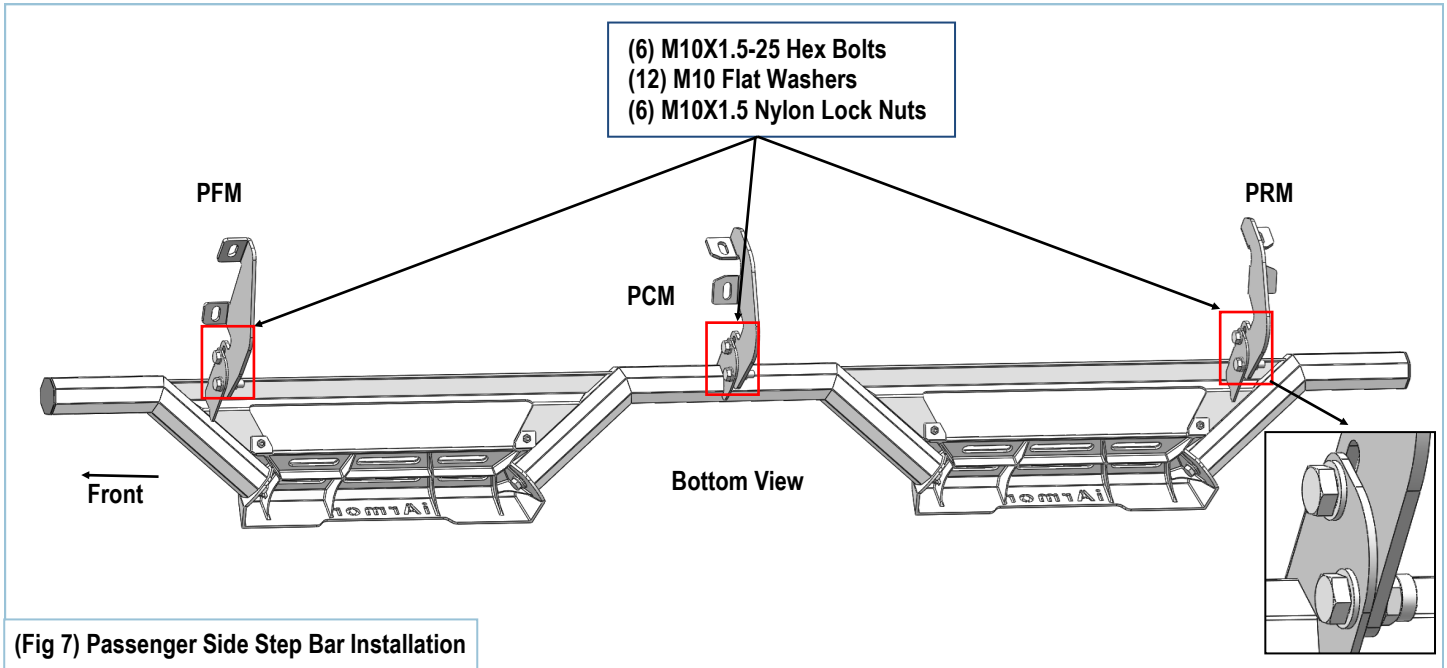
Move to the other side of the vehicle. Repeat **Steps 1-5** for the other Side Step Bar installation.

Attention

Do periodic inspections to the installation to make sure that all hardware is secure and tight.

In order to protect your bars/boards, please use mild soap/non-abrasive products for cleaning only.

iArmor[®]



(Fig 7) Passenger Side Step Bar Installation