

# iArmor<sup>®</sup>

## iArmor<sup>®</sup> by APS

PART#: IA-S044H

### BEFORE INSTALLATION

REMOVE CONTENTS FROM BOX. VERIFY ALL PARTS ARE PRESENT. READ INSTRUCTIONS CAREFULLY BEFORE STARTING INSTALLATION. ASSISTANCE IS RECOMMENDED. THANK YOU FOR CHOOSING OUR PRODUCT!

\*ROCKER PANEL MOUNT

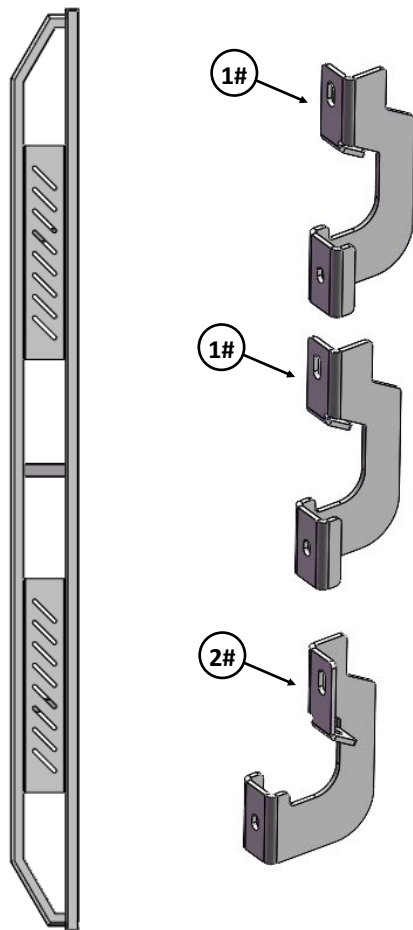
\*DRILLING NOT REQUIRED

### Torque Value

Fastener Size	Tightening Torque (ft-lbs)	Required
6mm	6-7	X
8mm	16-18	√
10mm	31-32	√
12mm	56-58	X
14mm	92-94	X

### PART LIST

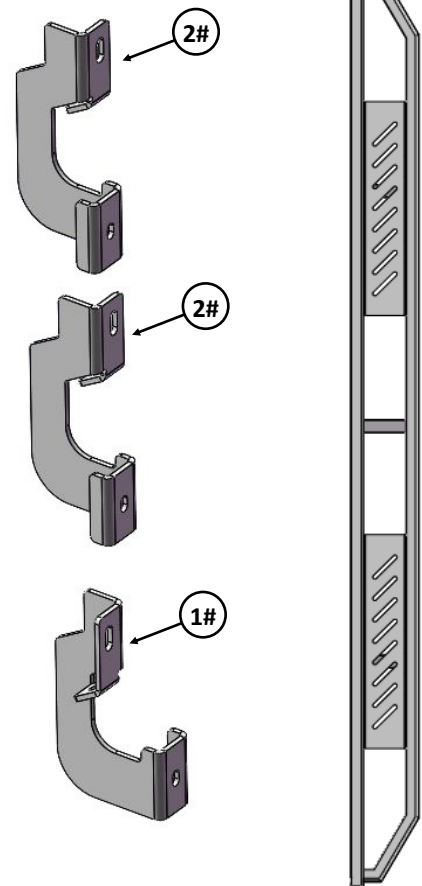
#### Driver Side Step Bar



Front



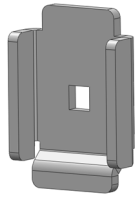
#### Passenger Side Step Bar



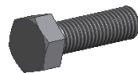
Customer Support: [info@iarmorauto.com](mailto:info@iarmorauto.com)

## Hardware Package A (For Bracket Installation)

Item	QTY	Description	Item	QTY	Description
1#	3	Driver Front / Center & Passenger Rear Mounting Brackets	7#	6	M8 Clip Nuts
2#	3	Passenger Front / Center & Driver Rear Mounting Brackets	8#	6	M10X1.5-25mm Hex Bolts
3#	6	U Brackets	9#	12	M10 Flat Washers
4#	6	M8X1.25-25mm Hex Bolts	10#	6	M10 Lock Washers
5#	6	M8 Large Flat Washers	11#	6	M10X1.5 Hex Nuts
6#	6	M8 Lock Washers			



3 #



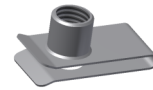
4 #



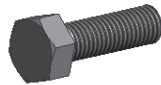
5 #



6 #



7 #



8 #



9 #



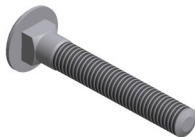
10 #



11 #

## Hardware Package B (For Step Bar Installation)

Item	QTY	Description	Item	QTY	Description
1#	6	M8X1.25-55mm Carriage Bolts	3#	6	M8 Lock Washers
2#	6	M8 Large Flat Washers	4#	6	M8 Hex Nuts



1 #



2 #



3 #



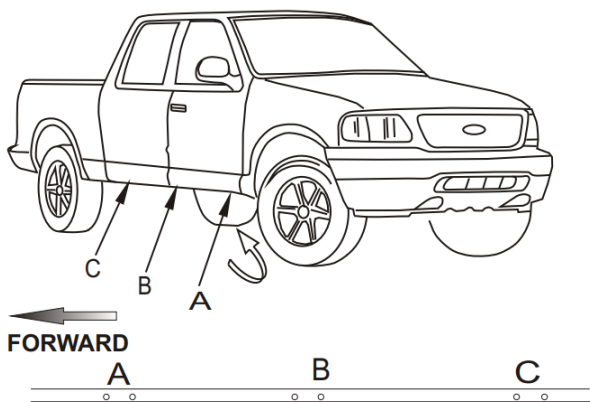
4 #

# iArmor®

The instruction here is for your reference only. We strongly recommend the professional installer for best result. We are not responsible for any damage caused by the installation.

## STEP 1

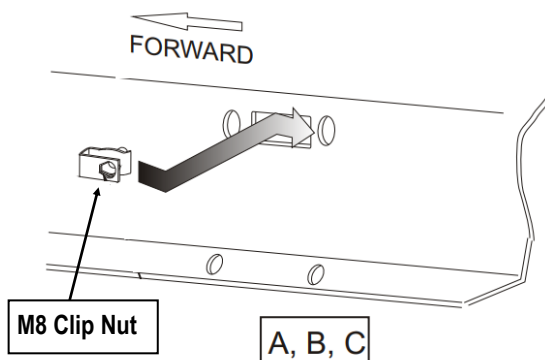
Locate Passenger Side mounting locations as shown on, (See Fig 1).



(Fig 1) Passenger Side Mounting Location

## STEP 2

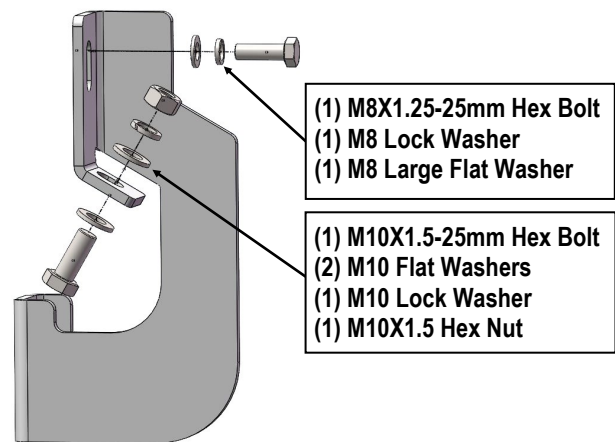
Install M8 Clip Nuts as shown, (Fig 2).



(Fig 2) Install M8 Clip Nuts

## STEP 3

Start from the passenger side front mounting location. Attach the Passenger Front Mounting Bracket to the installed Clip Nut with (1) M8X1.25-25mm Hex Bolt, (1) M8 Lock Washer and (1) M8 Large Flat Washer; and to the pinch weld with (1) M10X1.5-25mm Hex Bolt, (2) M10 Flat Washers, (1) M10 Lock Washer, (1) M10X1.5 Hex Nut, (Fig 3). Do not fully tighten hardware at this time.



(Fig 3) Passenger Front Mounting Bracket Installation

## STEP 4

Move to Passenger Side Center & Rear Mounting Locations. Repeat **Step 3** to install (2) Mounting Brackets. Do not fully tighten hardware at this time.

## STEP 5

Once all (3) passenger side mounting brackets are installed, select and attach the Passenger Side Step Bar onto the Mounting Brackets with (3) U Brackets, (3) M8X1.25-55mm Carriage Bolts, (3) M8 Large Flat Washers, (3) M8 Lock Washers and (3) M8X1.25 Hex Nuts, (Fig 4). Do not fully tighten hardware at this time.

# iArmor®

## STEP 6

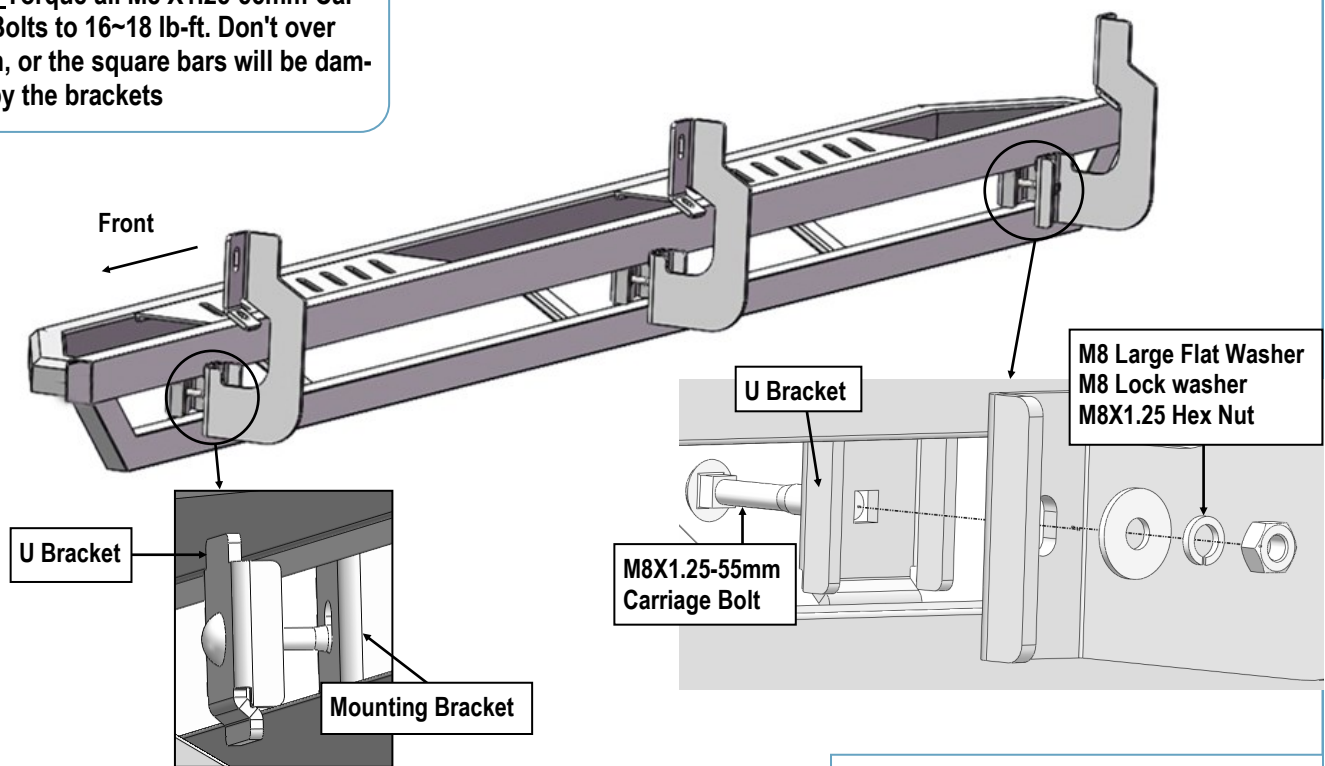
Properly level and adjust the Step Bar and fully tighten all hardware.

## STEP 7

Move to the driver side of the vehicle. Repeat **Steps 1-6** to install the driver side step bar.

Installation completed.

**NOTE:** Torque all M8 X1.25-55mm Carriage Bolts to 16~18 lb-ft. Don't over tighten, or the square bars will be damaged by the brackets



(Fig 4) Passenger Side Step Bar Installation

### Attention

Do periodic inspections to the installation to make sure that all hardware is secure and tight.  
In order to protect your bars/boards, please use mild soap/non-abrasive products for cleaning only.