

iArmor[®]

iArmor[®] by APS

PART#: IA-S926H

BEFORE INSTALLATION

REMOVE CONTENTS FROM BOX. VERIFY ALL PARTS ARE PRESENT. READ INSTRUCTIONS CAREFULLY BEFORE STARTING INSTALLATION. ASSISTANCE IS RECOMMENDED. THANK YOU FOR CHOOSING OUR PRODUCT!

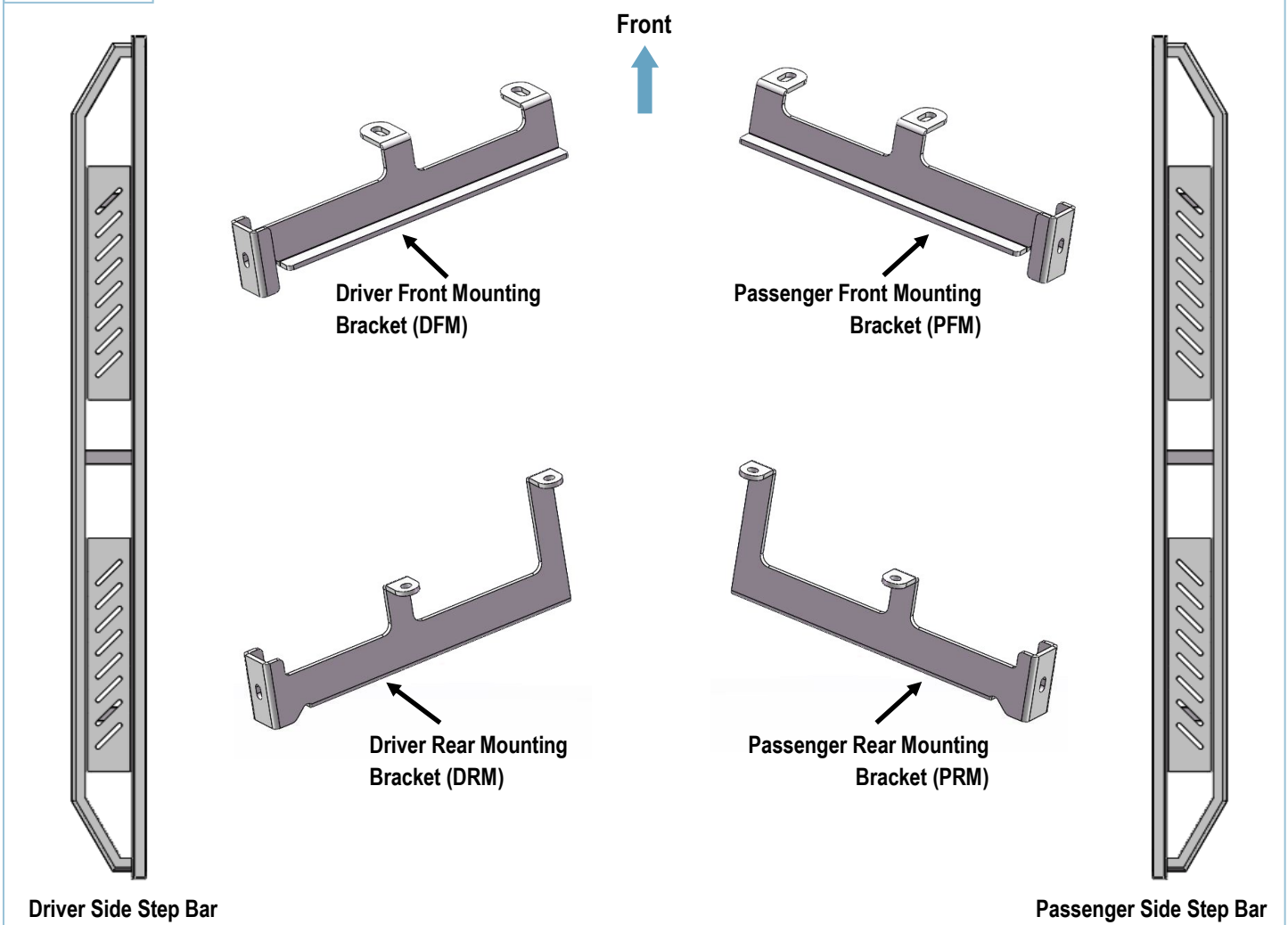
***ROCKER PANEL MOUNT**

***NO DRILLING / TRIMMING REQUIRED**

Torque Value

| Fastener Size | Tightening Torque (ft-lbs) | Required |
|---------------|----------------------------|----------|
| 6mm | 6-7 | X |
| 8mm | 16-18 | √ |
| 10mm | 31-32 | √ |
| 12mm | 56-58 | X |
| 14mm | 92-94 | X |

PART LIST

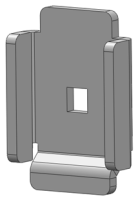


Customer Support: info@iarmorauto.com

iArmor®

Hardware Package A (For Bracket Installation)

| Item | QTY | Description | Item | QTY | Description |
|------|-----|--------------------------|------|-----|------------------|
| 1# | 4 | U Brackets | 5# | 4 | M10 Flat Washers |
| 2# | 2 | M10X1.5-30mm Bolt Plates | 6# | 4 | M10 Lock Washers |
| 3# | 4 | M10 Plastic Washers | 7# | 4 | M10 Hex Nuts |
| 4# | 2 | M10X1.5 J-Bolts | | | |



1#



2#



3#



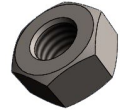
4#



5#



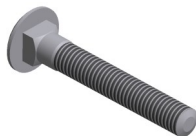
6#



7#

Hardware Package B (For Step Bar Installation)

| Item | QTY | Description | Item | QTY | Description |
|------|-----|-----------------------------|------|-----|-----------------|
| 1# | 4 | M8X1.25-55mm Carriage Bolts | 3# | 4 | M8 Lock Washers |
| 2# | 4 | M8 Large Flat Washers | 4# | 4 | M8 Hex Nuts |



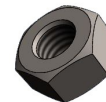
1#



2#



3#



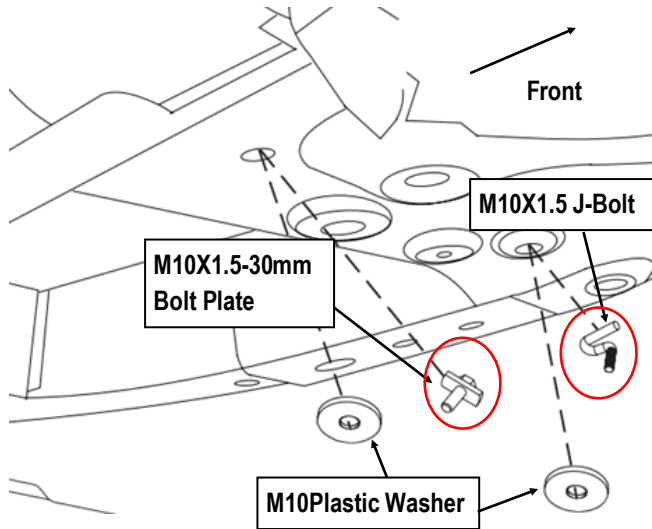
4#

iArmor®

The instruction here is for your reference only. We strongly recommend the professional installer for best result. We are not responsible for any damage caused by the installation.

STEP 1

Insert M10x1.5-30mm Bolt Plate into outer hole, and use a Plastic Washer to hold in place. Insert M10x1.5 J-Bolt into inner hole and use a M10 Plastic Washer to hold in place. (Fig 1)

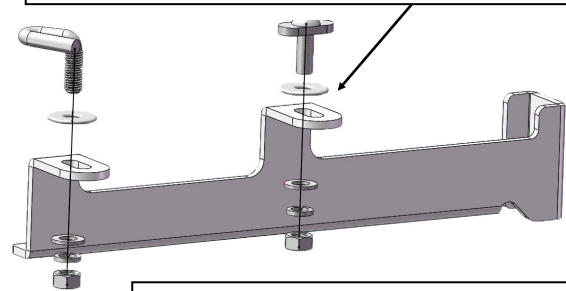


(Fig 1) Bolt Plate/ J-Bolt Installation
(Driver Side Front Mounting Location)

STEP 2

Select (1) Driver Front Mounting Bracket, (DFM). Attach Driver Front Mounting Bracket (DFM) to the previously M10x1.5-30mm Bolt Plate and M10x1.5 J-Bolt using (2) M10 Flat Washers, (2) M10 Lock Washers, and (2) M10 x1.5 Hex Nuts as shown (Fig 2).

(1) M10x1.5-30mm Bolt Plate
(1) M10 Plastic Washer (1) M10 Flat Washer
(1) M10 Lock Washer (1) M10 x1.5 Hex Nut

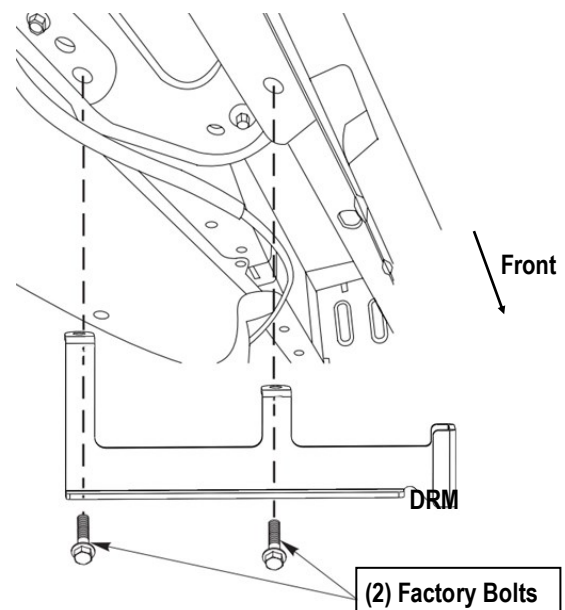


(1) M10x1.5 J-Bolt
(1) M10 Plastic Washer (1) M10 Flat Washer
(1) M10 Lock Washer (1) M10 x1.5 Hex Nut

(Fig 2) Driver Front Mounting Bracket Installation

STEP 3

Move to Driver Side Rear Mounting Location. Remove the two foremost factory bolts from the rear suspension bracket. Slide bracket into place and secure using factory bolts (Fig 3). Don't fully tighten at this time.



(Fig 3) Driver Rear Mounting Bracket Installation

iArmor®

STEP 4

Once all (2) driver side mounting brackets are installed, select and attach the Driver Side Step Bar onto the Mounting Brackets with (2) U Brackets, (2) M8X1.25-55mm Carriage Bolts, (2) M8 Large Flat Washers, (2) M8 Lock Washers and (2) M8X1.25 Hex Nuts (**Fig 4**). Do not fully tighten hardware at this time.

STEP 5

Properly level and adjust the Step Bar and fully tighten all hardware.

STEP 6

Move to the passenger side of the vehicle. Repeat **Steps 1-5** to install passenger side step bar.

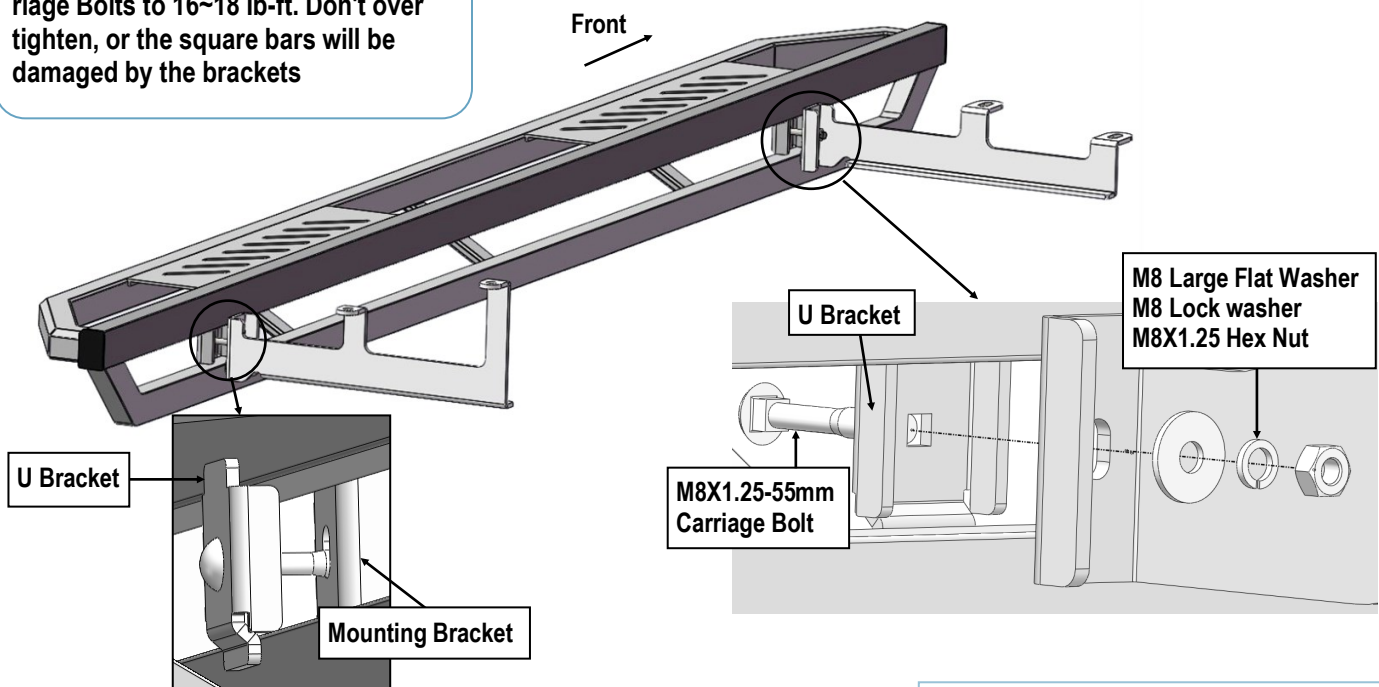
Installation completed.

Attention

Do periodic inspections to the installation to make sure that all hardware is secure and tight.

In order to protect your bars/boards, please use mild soap/non-abrasive products for cleaning only.

NOTE: Torque all M8 X1.25-55mm Carriage Bolts to 16~18 lb-ft. Don't over tighten, or the square bars will be damaged by the brackets



(Fig 4) Driver Side Step Bar Installation