

iArmor[®]

iArmor[®] by APS

PART#: IA-S312

BEFORE INSTALLATION

REMOVE CONTENTS FROM BOX. VERIFY ALL PARTS ARE PRESENT. READ INSTRUCTIONS CAREFULLY BEFORE STARTING INSTALLATION. ASSISTANCE IS RECOMMENDED. THANK YOU FOR CHOOSING OUR PRODUCT!

*ROCKER PANEL MOUNT

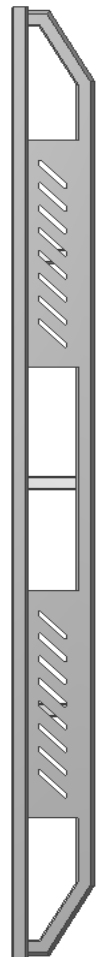
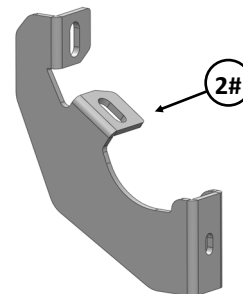
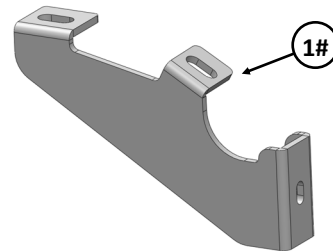
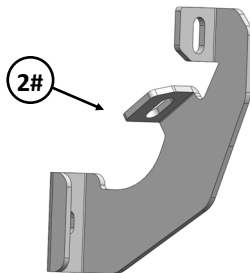
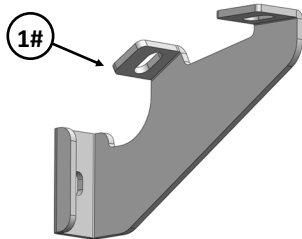
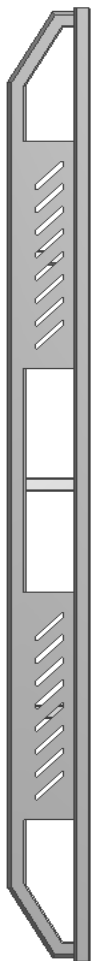
*TRIMMING/DRILLING NOT REQUIRED

Fastener Size	Tightening Torque (ft-lbs)	Required
6mm	6-7	X
8mm	16-18	√
10mm	31-32	√
12mm	56-58	X
14mm	92-94	X

Driver

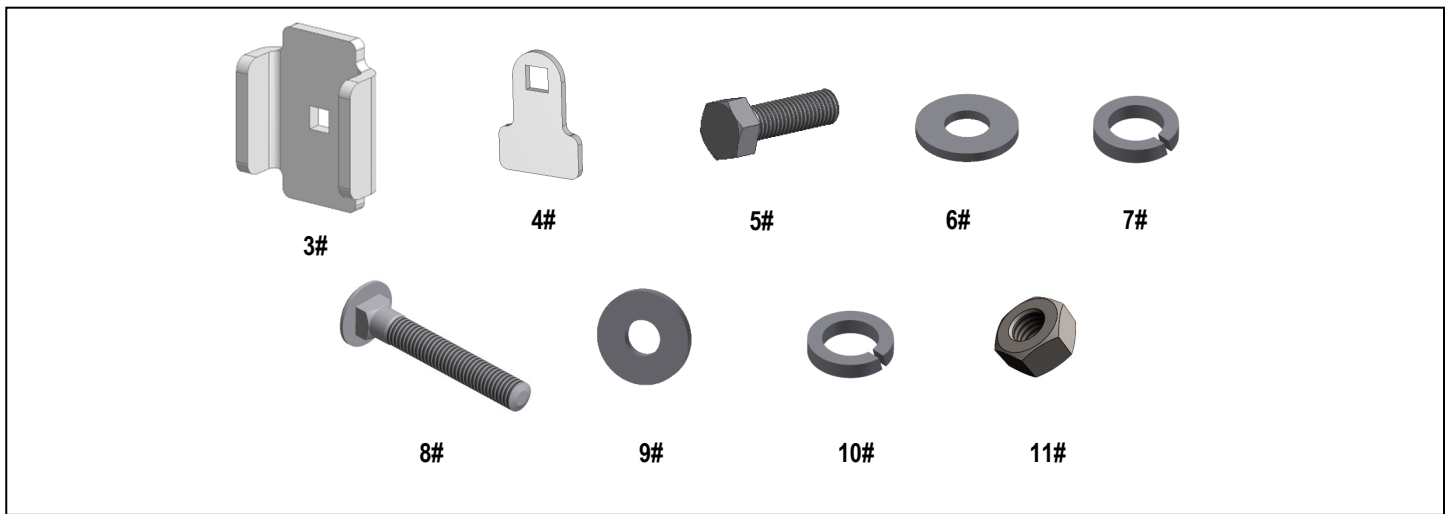
Front

Passenger



iArmor[®]

Item	QTY	Description	Item	QTY	Description
1#	2	Driver / Passenger Front Mounting Brackets	7#	8	M10 Lock Washers
2#	2	Driver / Passenger Rear Mounting Brackets	8#	4	M8X1.25-55 Carriage Bolts
3#	4	U Brackets	9#	4	M8 Large Flat Washers
4#	8	Spacers	10#	4	M8 Lock Washers
5#	8	M10X1.5-30mm Hex Bolts	11#	4	M8X1.25 Hex Nuts
6#	8	M10 Flat Washers			

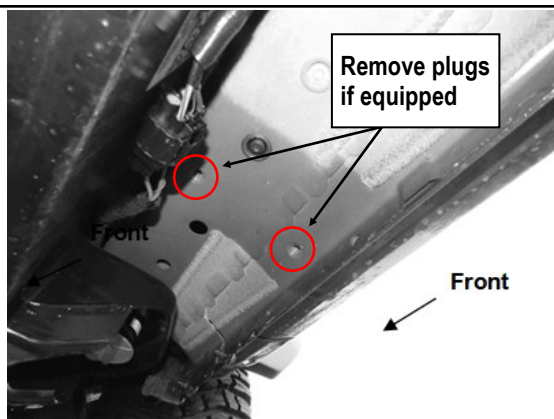


iArmor®

The instruction here is for your reference only. We strongly recommend the professional installer for best result. We are not responsible for any damage caused by the installation.

STEP 1

Start installation from the Passenger side front of the vehicle, locate the threaded holes on the body panel, (Fig 1). Remove the plastic plugs covering the holes if equipped.

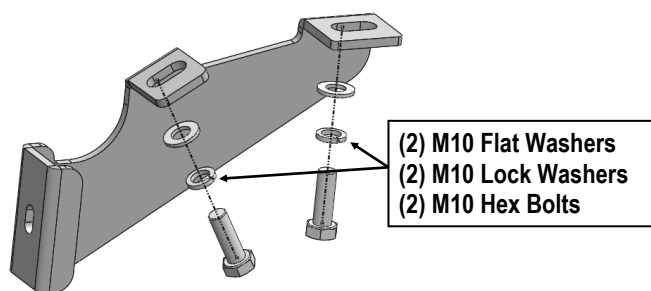


(Fig 1) Passenger Side Front Mounting Location

STEP 2

Select Passenger Front Mounting Bracket and attach it to the front mounting location with (2) M10 Hex Bolts, (2) M10 Flat Washers, (2) M10 Lock Washers, (Fig 2). Do not fully tighten hardware at this time.

Note: Passenger and Driver Front Mounting Brackets are Universal.

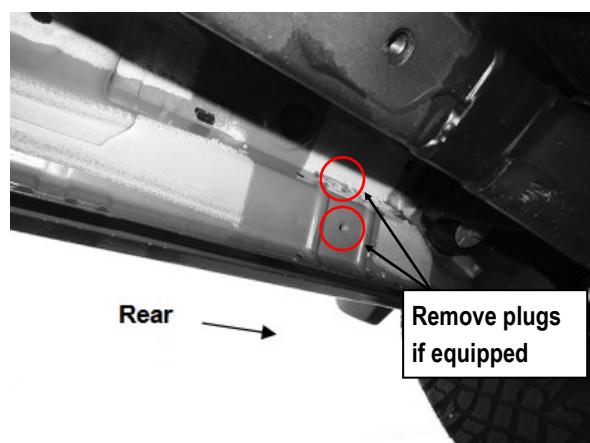


(Fig 2) Passenger Front Mounting Bracket Installation

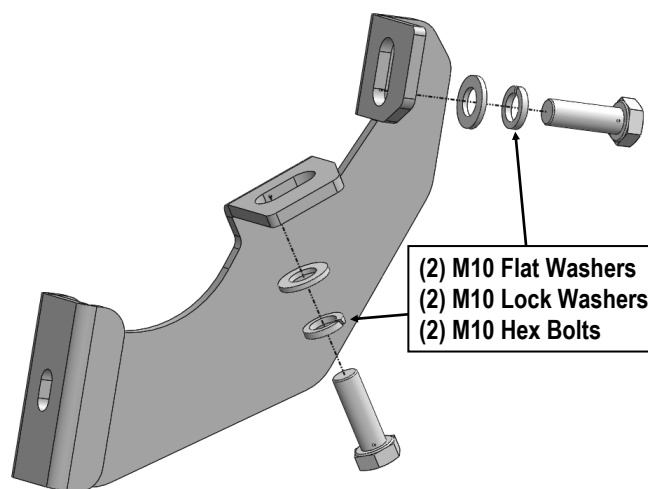
STEP 3

Move to Passenger Side Rear mounting location, (Fig 3). Repeat **Steps 1 & 2** to install Passenger Rear Mounting Bracket, (Fig 4). Do not fully tighten hardware at this time.

Note: Passenger and Driver Rear Mounting Brackets are Universal.



(Fig 3) Passenger Side Rear Mounting Location



(Fig 4) Passenger Rear Mounting Bracket Installation

iArmor®

STEP 4

Once all (2) passenger side mounting brackets are installed, select and attach the Passenger Side Step Bar onto the Mounting Brackets with (2) U Brackets, (4) Spacers, (2) M8X1.25-55mm Carriage Bolts, (2) M8 Large Flat Washers, (2) M8 Lock Washers and (2) M8X1.25 Hex Nuts, (**Fig 5**). Do not fully tighten hardware at this time.

STEP 5

Properly level and adjust the Step Bar and fully tighten all hardware.

STEP 6

Move to the other side of the vehicle. Repeat **Steps 1-5** to install the other side step bar.

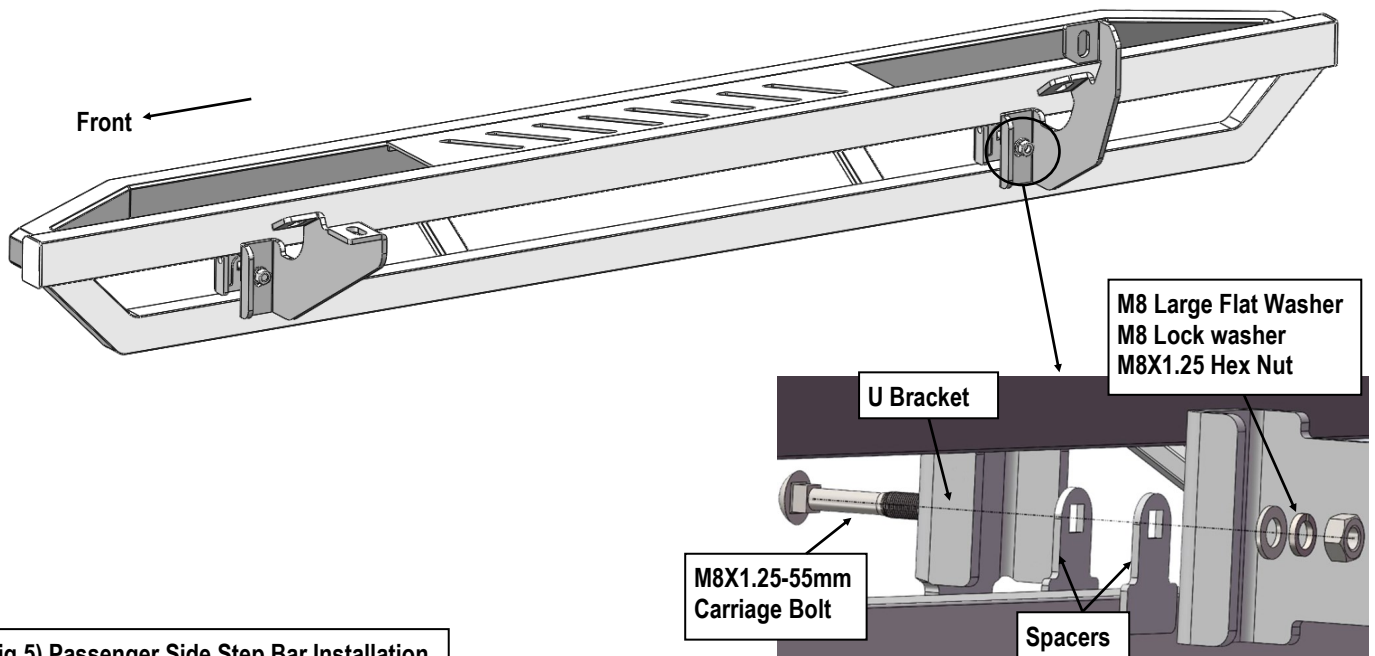
Installation completed.

Attention

Do periodic inspections to the installation to make sure that all hardware is secure and tight.

In order to protect your bars/boards, please use mild soap/non-abrasive products for cleaning only.

NOTE: Torque all M8 X1.25-55mm Carriage Bolts to 16~18 lb-ft. Don't over tighten, or the aluminum square bars will be damaged by the brackets



(Fig 5) Passenger Side Step Bar Installation