

iArmor[®]

iArmor[®] by APS

PART#: IA-S177H

BEFORE INSTALLATION

REMOVE CONTENTS FROM BOX. VERIFY ALL PARTS ARE PRESENT. READ INSTRUCTIONS CAREFULLY BEFORE STARTING INSTALLATION. ASSISTANCE IS RECOMMENDED. THANK YOU FOR CHOOSING OUR PRODUCT!

*ROCKER PANEL MOUNT

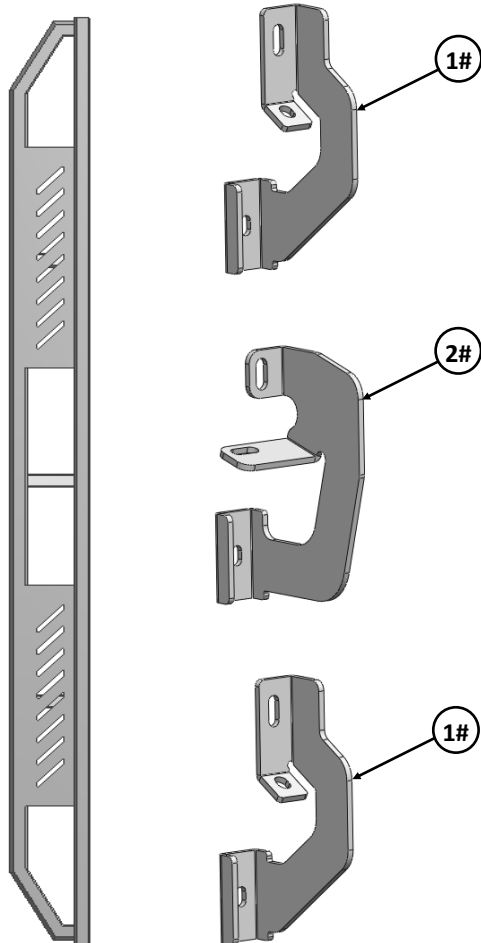
*DRILLING NOT REQUIRED

Torque Value

Fastener Size	Tightening Torque (ft-lbs)	Required
6mm	6-7	X
8mm	16-18	√
10mm	31-32	X
12mm	56-58	X
14mm	92-94	X

PART LIST

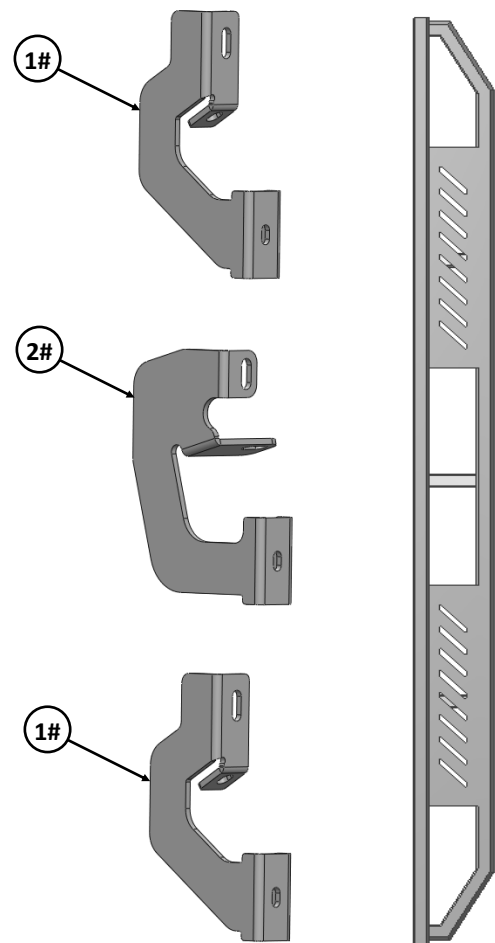
Driver Side Step Bar



Front



Passenger Side Step Bar

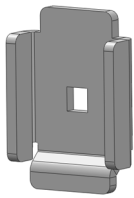


Customer Support: info@iarmorauto.com

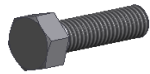
iArmor®

Hardware Package A (For Bracket Installation)

Item	QTY	Description	Item	QTY	Description
1#	4	Driver & Passenger Front/Rear Mounting Brackets	5#	18	M8 Large Flat Washers
2#	2	Driver & Passenger Center Mounting Brackets	6#	12	M8 Lock Washers
3#	6	U Brackets	7#	6	M8 Clip Nuts
4#	12	M8X1.25-25mm Hex Bolts	8#	6	M8X1.25 Hex Nuts



3 #



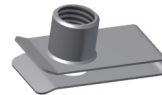
4 #



5 #



6 #



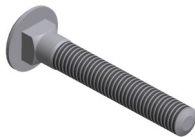
7 #



8 #

Hardware Package B (For Step Bar Installation)

Item	QTY	Description	Item	QTY	Description
1#	6	M8X1.25-55mm Carriage Bolts	3#	6	M8 Lock Washers
2#	6	M8 Large Flat Washers	4#	6	M8 Hex Nuts



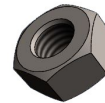
1 #



2#



3 #



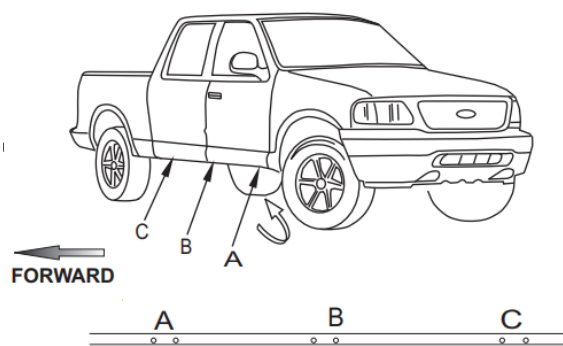
4 #

iArmor®

The instruction here is for your reference only. We strongly recommend the professional installer for best result. We are not responsible for any damage caused by the installation.

STEP 1

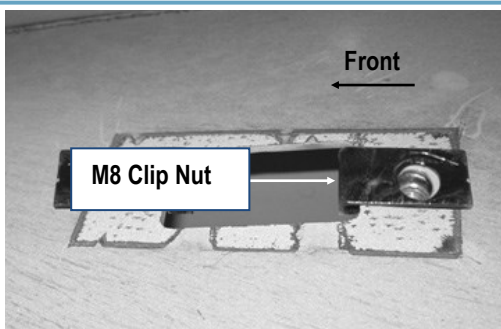
Identify the passenger side mounting locations as shown, (Fig 1).



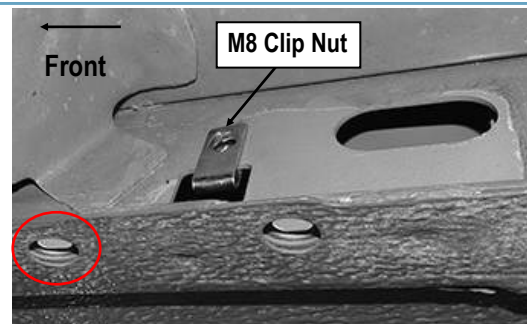
(Fig 1) Passenger Side Mounting Locations

STEP 2

Slide (1) M8 Clip Nut into the rectangular opening with the nut towards the inside. Line up the threaded nut on the clip with the round hole, (Figs 2-3).



(Fig 2) M8 Clip Nut Installed
(On Passenger Side Front Mounting Location)



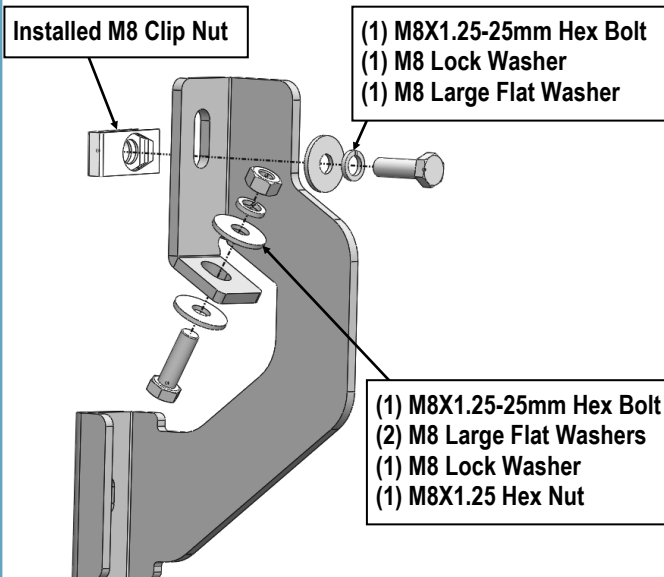
(Fig 3) Passenger Side Center Mounting Location

STEP 3

Attach the Passenger Front Mounting Bracket to the installed M8 Clip Nut with (1) M8X1.25-25mm Hex Bolt, (1) M8 Lock Washer and (1) M8 Large Flat Washer, (Fig 4). Align the bottom hole on the front Bracket with the (1) hole on the pinch weld. Secure the Bracket to the pinch weld using the included (1) M8X1.25-25mm Hex Bolt, (2) M8 Flat Washers, (1) M8 Lock Washer and (1) M8X1.25 Hex Nut, (Fig 4). Do not tighten hardware at this time.

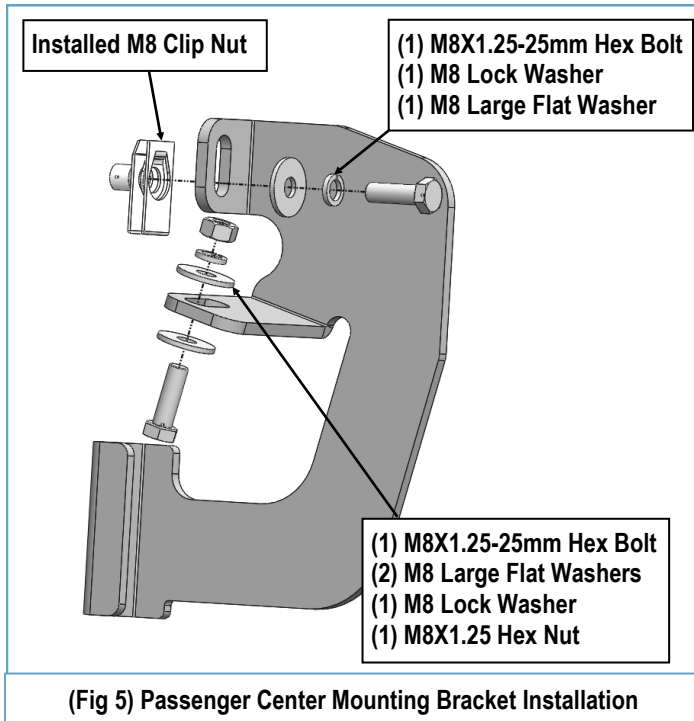
Repeat this step for Passenger Center and Rear Mounting Brackets Installation, (Fig 5).

Note: Passenger Front Mounting Bracket and Passenger Rear Mounting Bracket are Universal.



(Fig 4) Passenger Front Mounting Bracket Installation

iArmor®



STEP 4

Once all (3) passenger side mounting brackets are installed, select and attach the Passenger Side Step Bar onto the Mounting Brackets with (3) U Brackets, (3) M8X1.25-55mm Carriage Bolts, (3) M8 Large Flat Washers, (3) M8 Lock Washers and (3) M8X1.25 Hex Nuts. Do not fully tighten hardware at this time, (Fig 6).

STEP 5

Properly level and adjust the Step Bar and fully tighten all hardware.

STEP 6

Move to the driver side of the vehicle. Repeat **Steps 1-5** to install the driver side step bar.

Installation completed.

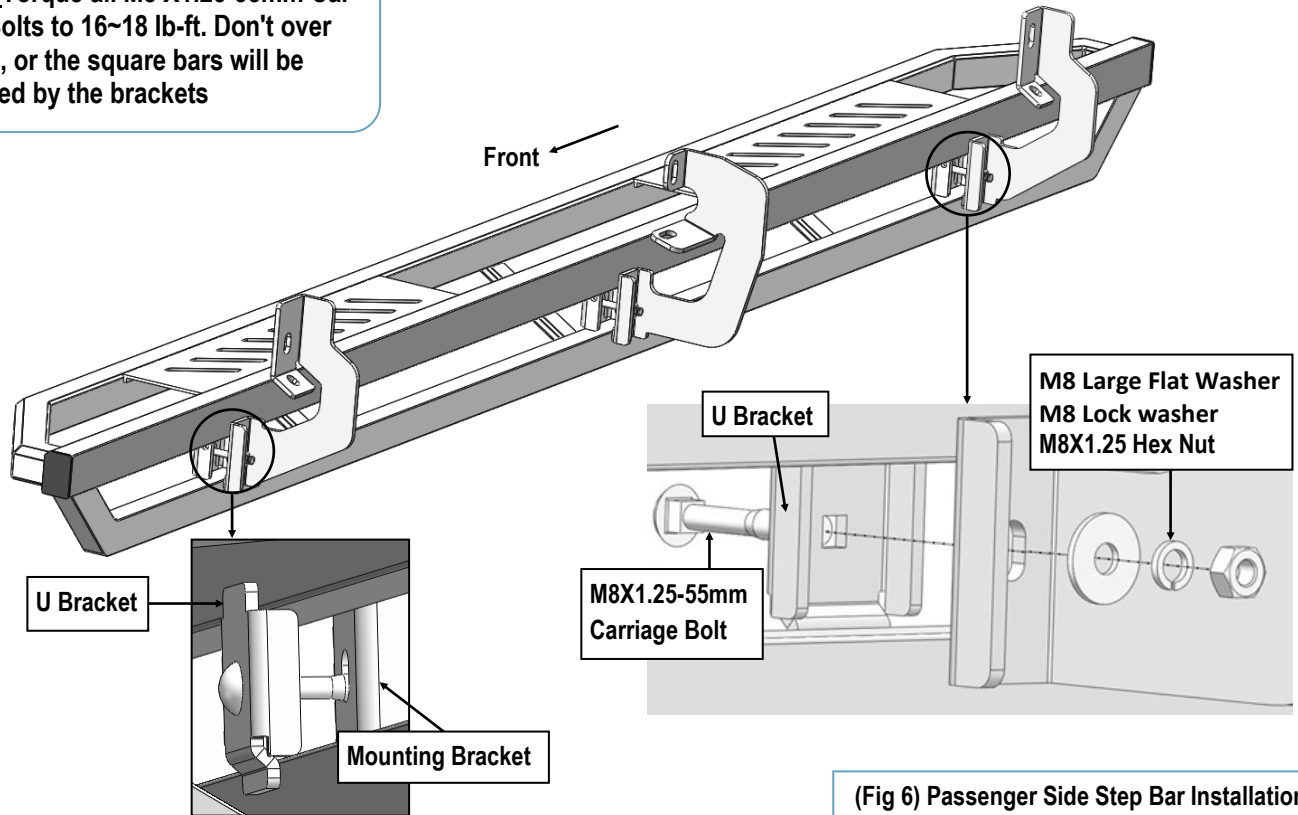
Attention

Do periodic inspections to the installation to make sure that all hardware is secure and tight.

In order to protect your bars/boards, please use mild soap/non-abrasive products for cleaning only.

iArmor[®]

NOTE: Torque all M8 X1.25-55mm Carriage Bolts to 16~18 lb-ft. Don't over tighten, or the square bars will be damaged by the brackets



(Fig 6) Passenger Side Step Bar Installation