

iArmor[®]

iArmor[®] by APS

PART#: IA-S134

BEFORE INSTALLATION

REMOVE CONTENTS FROM BOX. VERIFY ALL PARTS ARE PRESENT. READ INSTRUCTIONS CAREFULLY BEFORE STARTING INSTALLATION. ASSISTANCE IS RECOMMENDED. THANK YOU FOR CHOOSING OUR PRODUCT!

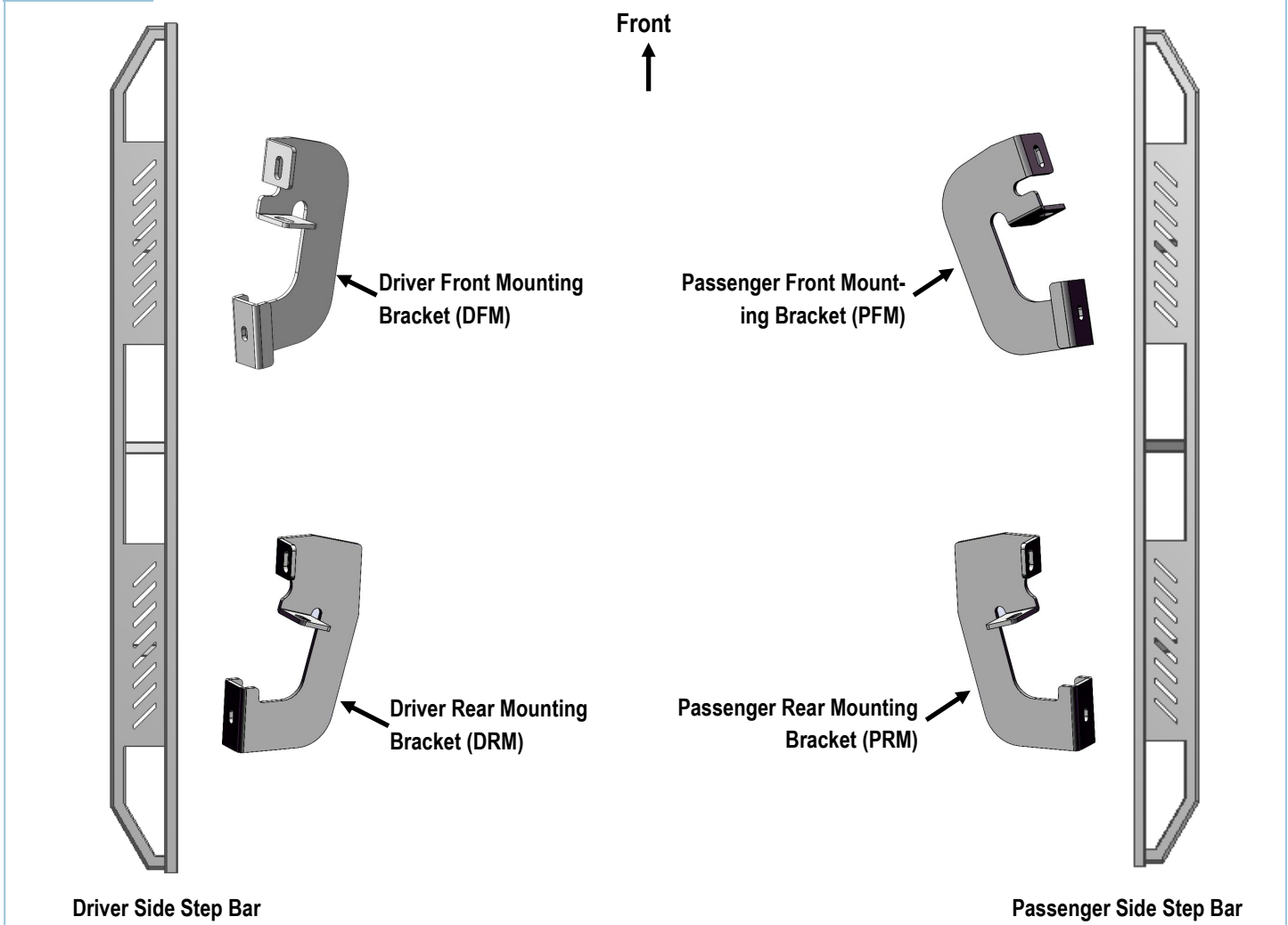
***ROCKER PANEL MOUNT**

***NO DRILLING / TRIMMING REQUIRED**

Torque Value

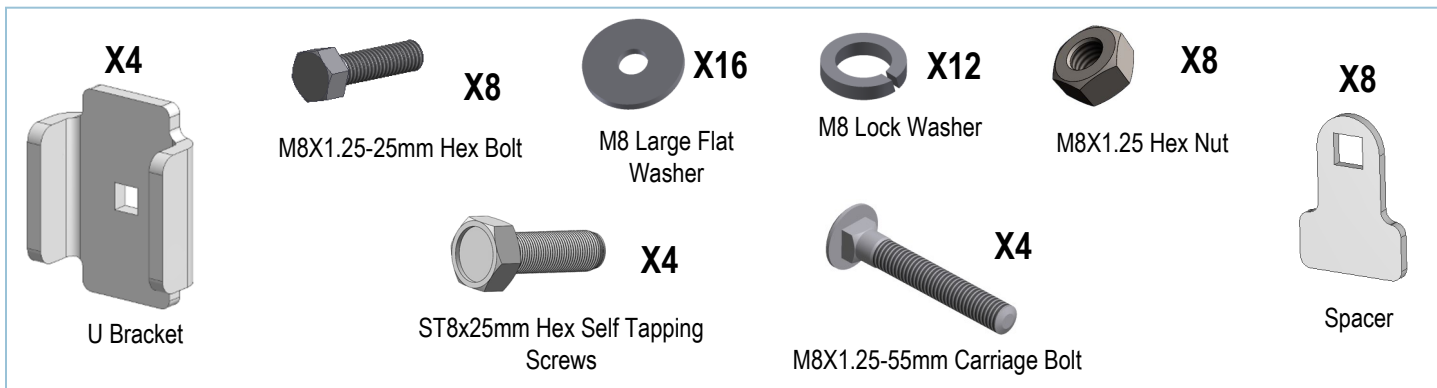
Fastener Size	Tightening Torque (ft-lbs)	Required
6mm	6-7	X
8mm	16-18	√
10mm	31-32	X
12mm	56-58	X
14mm	92-94	X

PART LIST



Customer Support: info@iarmorauto.com

iArmor®



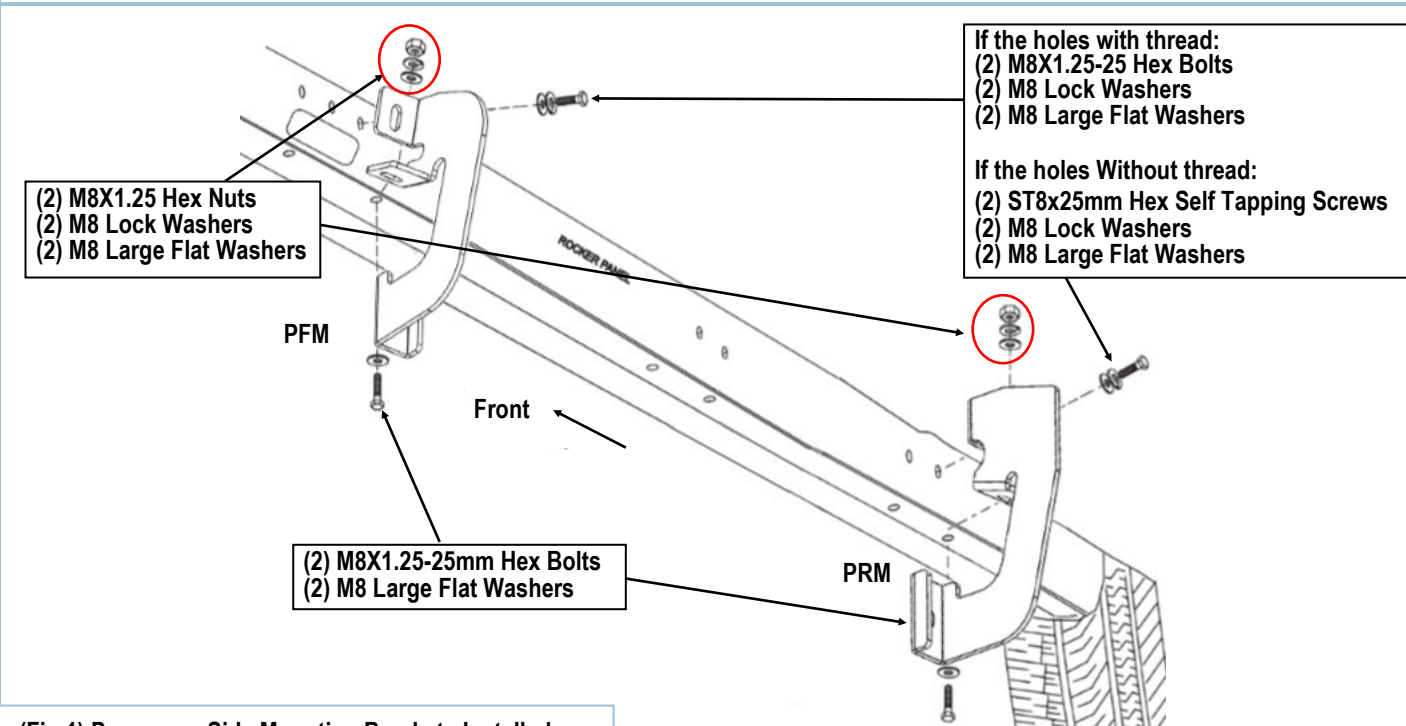
The instruction here is for your reference only. We strongly recommend the professional installer for best result. We are not responsible for any damage caused by the installation.

STEP 1

Start the installation from Passenger Side of the vehicle. Identify the mounting locations along the inner side of the rocker panel (**Fig 1**). If equipped, remove the tapes covering the mounting holes.

STEP 2

Attach passenger side mounting brackets to underside of rocker panel as shown on **Fig 1**. Leave loose.



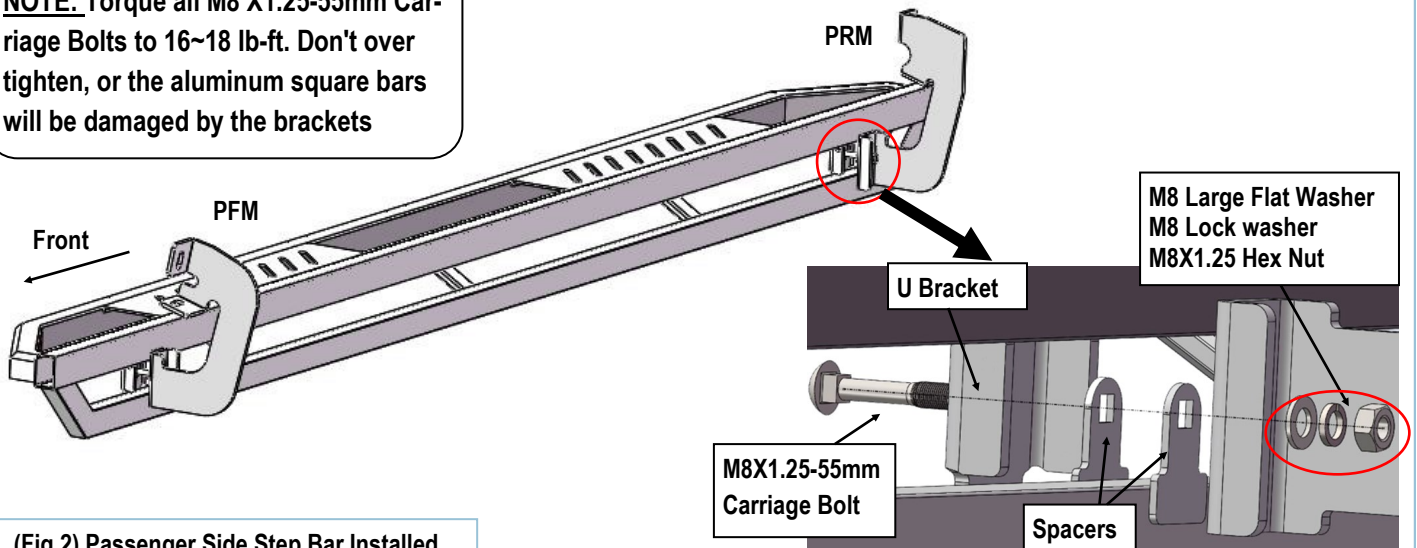
(Fig 1) Passenger Side Mounting Brackets Installed

iArmor®

STEP 3

Once all (2) passenger side mounting brackets are installed, select and attach the Passenger Side Step Bar onto the Mounting Brackets with (2) U Brackets, (4) Spacers, (2) M8X1.25-55mm Carriage Bolts, (2) M8 Large Flat Washers, (2) M8 Lock Washers and (2) M8X1.25 Hex Nuts (Fig 2). Do not fully tighten hardware at this time.

NOTE: Torque all M8 X1.25-55mm Carriage Bolts to 16~18 lb-ft. Don't over tighten, or the aluminum square bars will be damaged by the brackets



(Fig 2) Passenger Side Step Bar Installed

STEP 4

Properly level and adjust the Step Bar and fully tighten all hardware.

Attention

Do periodic inspections to the installation to make sure that all hardware is secure and tight.

In order to protect your bars/boards, please use only mild soap/non-abrasive products for cleaning.

STEP 5

Move to the driver side of the vehicle. Repeat **Steps 1-4** to install driver side step bar.

Installation completed.