

iArmor®

IARMOR EDGE™

PART#: IA-N044

BEFORE INSTALLATION

REMOVE CONTENTS FROM BOX. VERIFY ALL PARTS ARE PRESENT. READ INSTRUCTIONS CAREFULLY BEFORE STARTING INSTALLATION. ASSISTANCE IS RECOMMENDED. THANK YOU FOR CHOOSING OUR PRODUCT!

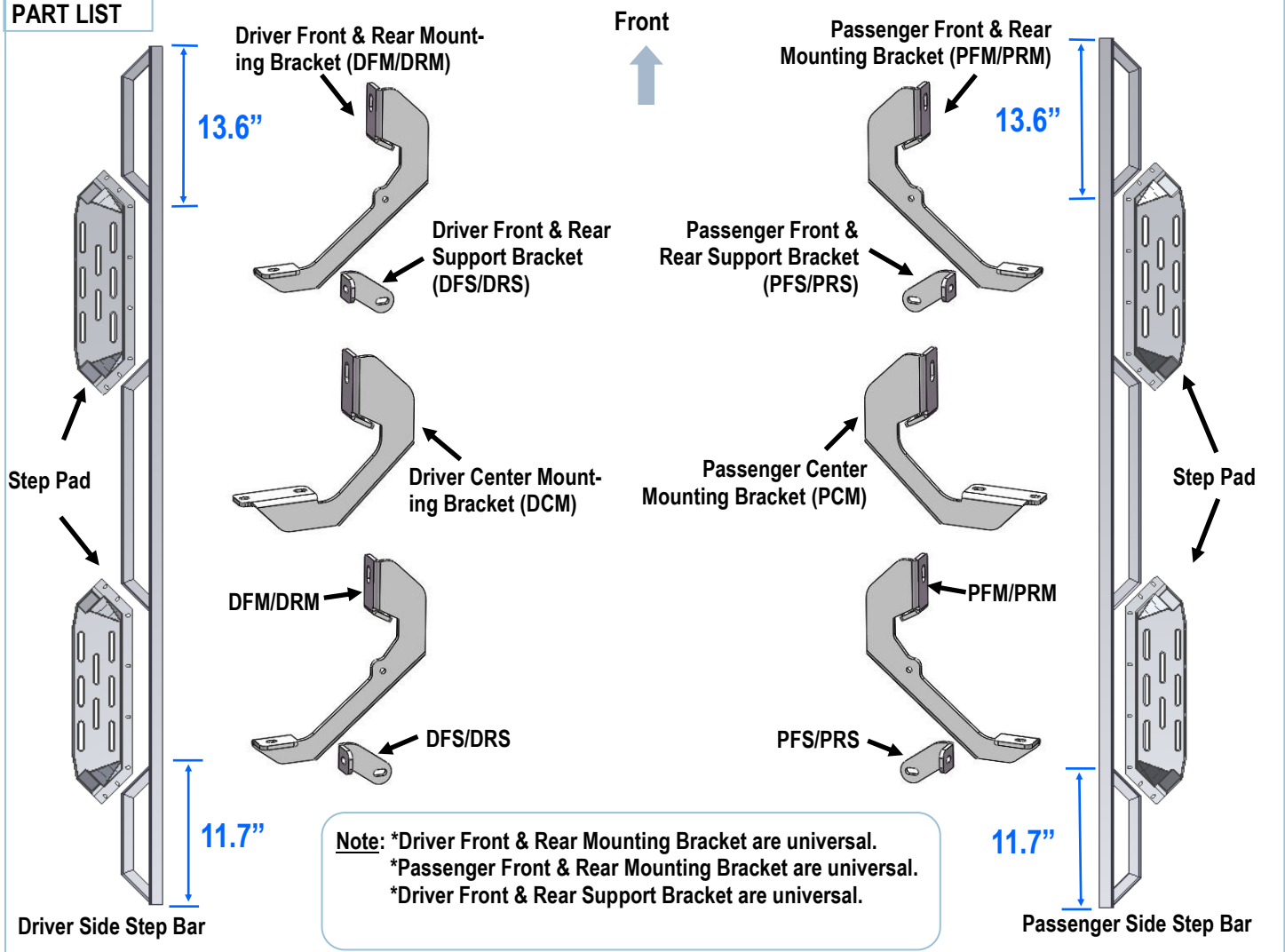
*DRILLING NOT REQUIRED

*TRIMMING NOT REQUIRED

Torque Value

Fastener Size	Tightening Torque (ft-lbs)	Required
6mm	6-7	√
8mm	16-18	√
10mm	31-32	√
12mm	56-58	X
14mm	92-94	X

PART LIST



Customer Support: info@iarmorauto.com

iArmor®



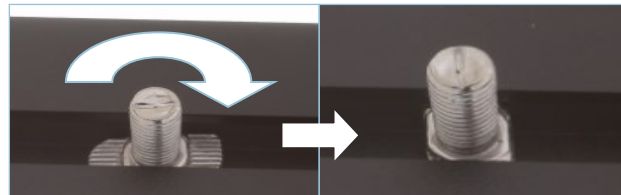
The instruction here is for your reference only. We strongly recommend the professional installer for best result. We are not responsible for any damage caused by the installation.

STEP 1

Install the Step Pads onto the step bars with (32) M6X1-20mm T-Bolts, (32) M6 Large Flat Washers and (32) M6 Nylon Lock Nuts.

IMPORTANT: Don't hit the step pad by any metal hammer within step pad installation, or the step pad will be damaged.

(8) M6X1-20 T-Bolts
(8) M6 Flat Washers
(8) M6 Nylon Lock Nuts



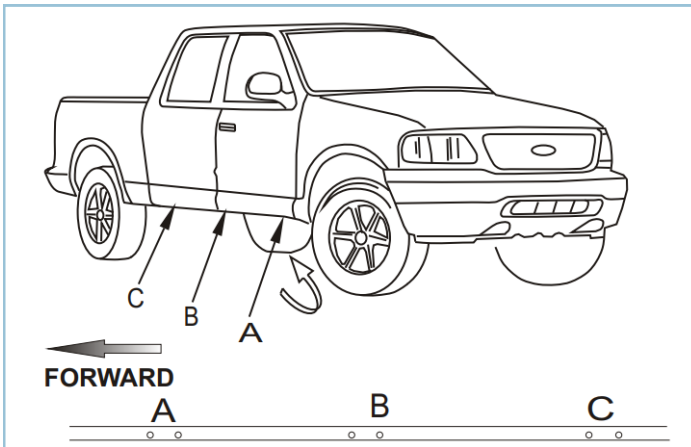
Note: Rotate 90° after inserting the T-Bolts into the Channel!!!

STEP 2

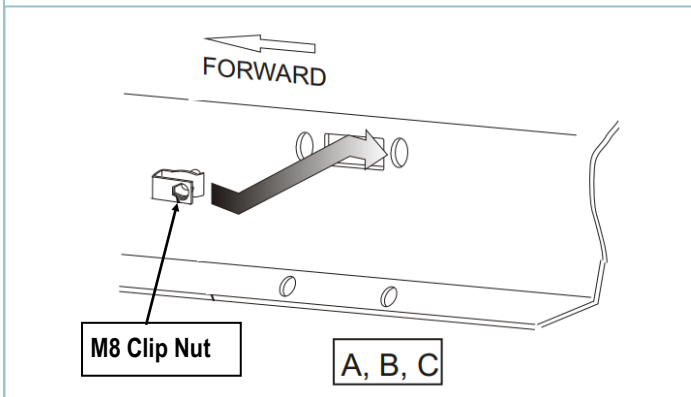
Locate the Passenger Side mounting locations as shown on (See Fig 1).

Install M8 Clip-on Nuts to the rocker panel as shown (Fig 2).

iArmor®



(Fig 1) Passenger Side Mounting Location Pictured



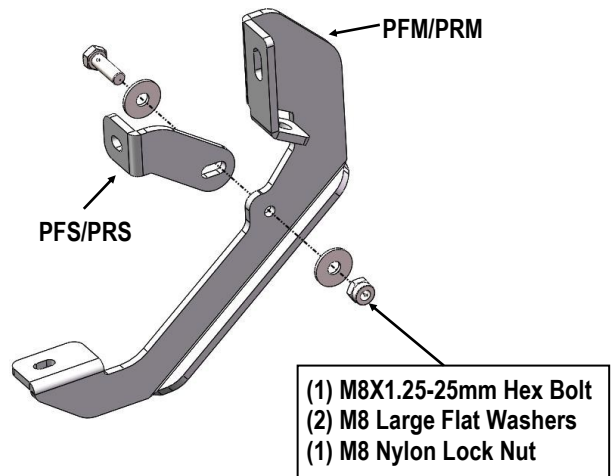
(Fig 2) M8 Clip Nut Installation

STEP 3

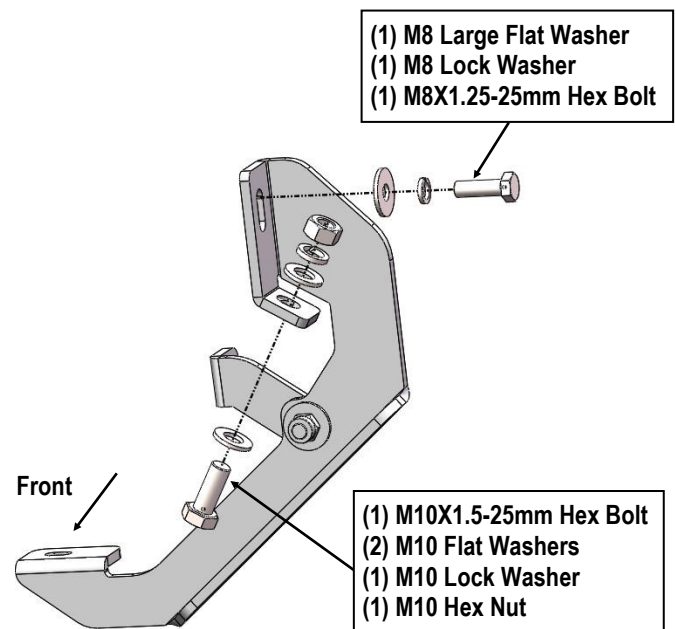
Start from the Passenger side front mounting location.

Assemble Passenger Front Mounting Bracket (PFM/PRM) and Passenger Front Support Bracket (PFS/PRS) with (1) M8X1.25-25mm Hex Bolt, (2) M8 Large Flat Washers and (1) M8 Nylon Lock Nut, (Fig 3).

Attach Passenger Front Mounting Bracket (PFM/PRM) to the installed M8 Clip Nut with (1) M8X1.25-25mm Hex Bolt, (1) M8 Large Flat Washer, (1) M8 Lock Washer. Secure the lower mounting hole on the bracket to the pinch weld with (1) M10X1.5-25mm Hex Bolt, (2) M10 Flat Washers, (1) M10 Lock Washer, (1) M10 Hex Nut. Do not fully tighten hardware at this time, (Fig 4).



(Fig 3) Passenger Front Mounting Bracket Assembly



(Fig 4) Passenger Front Mounting Bracket Installation

STEP 4

Move to the Passenger Side Center & Rear Mounting Locations. Repeat **Steps 2-3** to install and assemble the Brackets. Leave brackets loose at this time.

iArmor®

STEP 5

Once all (3) Passenger side mounting brackets are installed, select and attach the Assembled Passenger Side Step Bar onto the Mounting Brackets with (4) M6X1-20mm Square Head Bolts, (2) M6X1-20mm T-Bolts, (6) M6 Large Flat Washers and (6) M6 Nylon Lock Nuts, (Fig 5). Do not fully tighten hardware at this time.

STEP 6

Properly level and adjust the Step Bar and fully tighten all hardware.

STEP 7

Move to the other side of the vehicle. Repeat **Steps 1—6** for other side Step Bar installation.

Attention

Do periodic inspections to the installation to make sure that all hardware is secure and tight.

In order to protect your bars/boards, please use only mild soap/non-abrasive products for cleaning.

(Fig 5) Passenger Side Step Bar Installation

