

iArmor®

IARMOR EDGE™

PART#: IA-N042H

BEFORE INSTALLATION

REMOVE CONTENTS FROM BOX. VERIFY ALL PARTS ARE PRESENT. READ INSTRUCTIONS CAREFULLY BEFORE STARTING INSTALLATION. ASSISTANCE IS RECOMMENDED. THANK YOU FOR CHOOSING OUR PRODUCT!

*ROCKER PANEL MOUNT

*DRILLING NOT REQUIRED

Torque Value

Fastener Size	Tightening Torque (ft-lbs)	Required
6mm	6-7	X
8mm	16-18	√
10mm	31-32	√
12mm	56-58	X
14mm	92-94	X

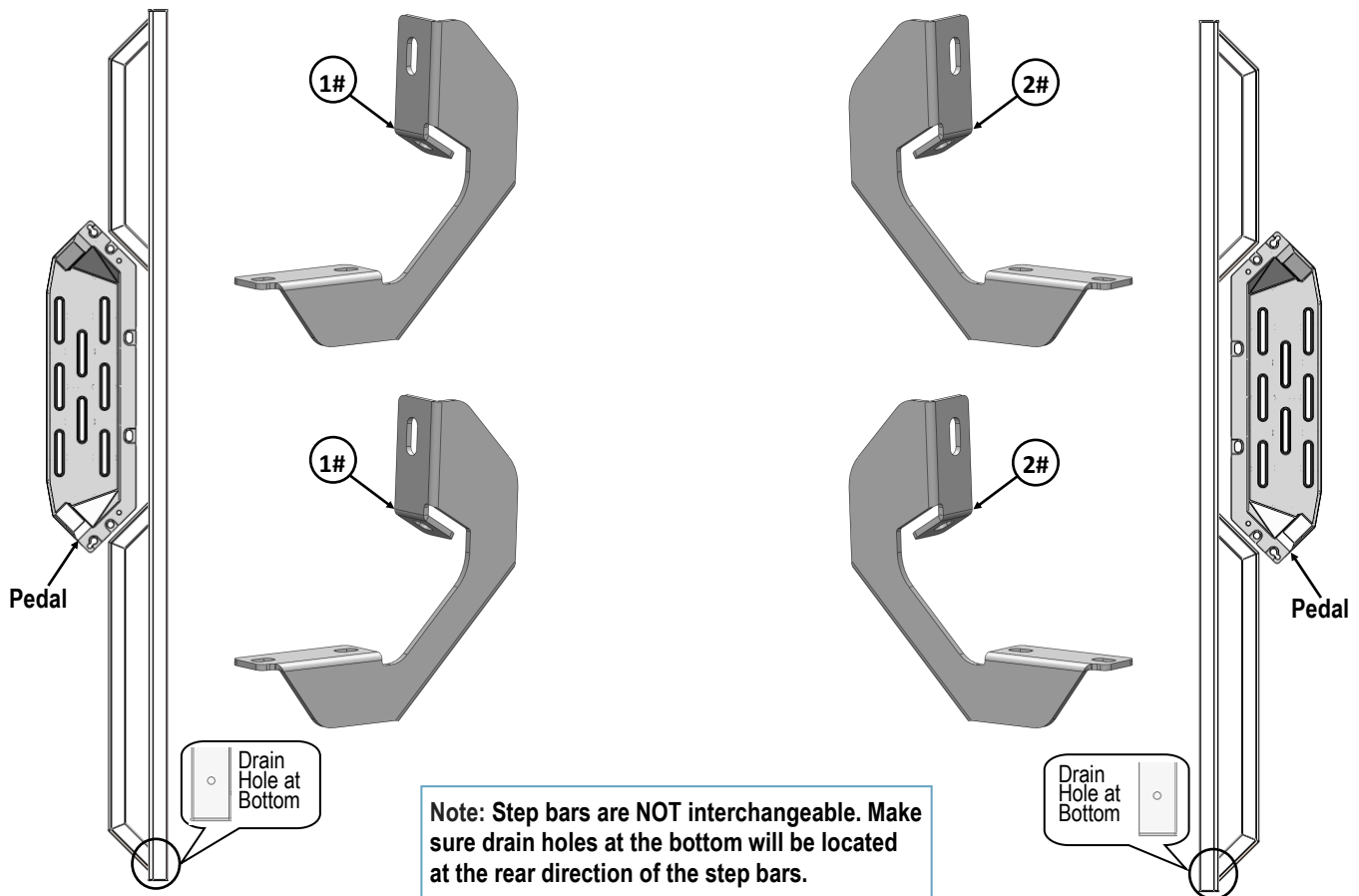
PART LIST

Driver Side Step Bar

Front



Passenger Side Step Bar

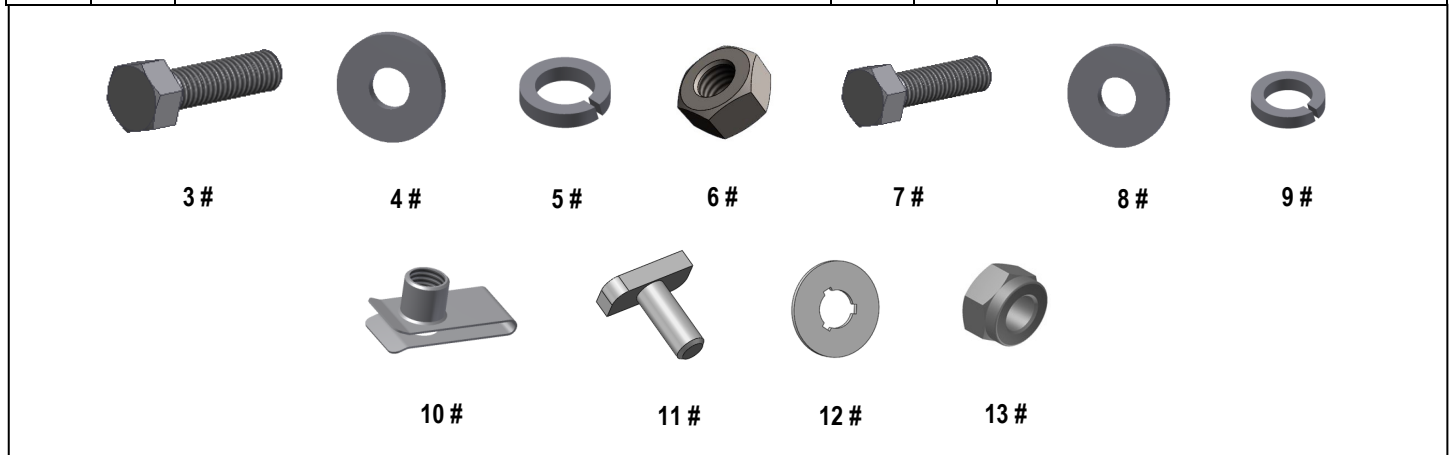


Note: Step bars are NOT interchangeable. Make sure drain holes at the bottom will be located at the rear direction of the step bars.

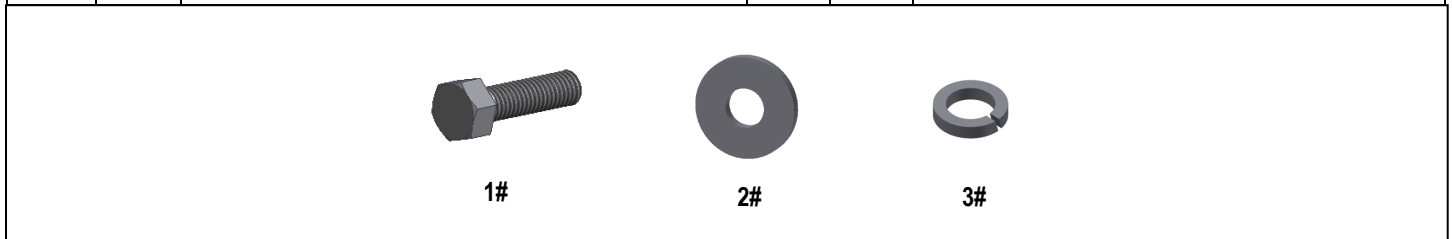
Customer Support: info@iarmorauto.com

iArmor[®]

Hardware Package A (For Brackets & Bars Installation)					
Item	QTY	Description	Item	QTY	Description
1#	2	Driver Front / Rear Mounting Brackets	8#	12	M8 Large Flat Washers
2#	2	Passenger Front / Rear Mounting Brackets	9#	4	M8 Lock Washers
3#	4	M10X1.5-25 Hex Bolts	10#	4	M8 Clip Nuts
4#	8	M10 Flat Washers	11#	8	M8X1.25-20 T-Bolts
5#	4	M10 Lock Washers	12#	8	M8 Plastic Washers
6#	4	M10 Hex Nuts	13#	8	M8 Nylon Lock Nuts
7#	4	M8X1.25-25 Hex Bolts			



Hardware Package B (For Step Pedals Installation)					
Item	QTY	Description	Item	QTY	Description
1#	12	M8X1.25-25 Hex Bolts	3#	12	M8 Lock Washers
2#	12	M8 Large Flat Washers			



Customer Support: info@iarmorauto.com

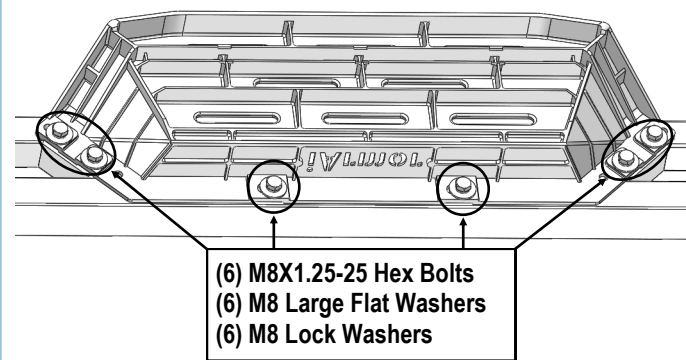
iArmor®

The instruction here is for your reference only. We strongly recommend the professional installer for best result. We are not responsible for any damage caused by the installation.

STEP 1

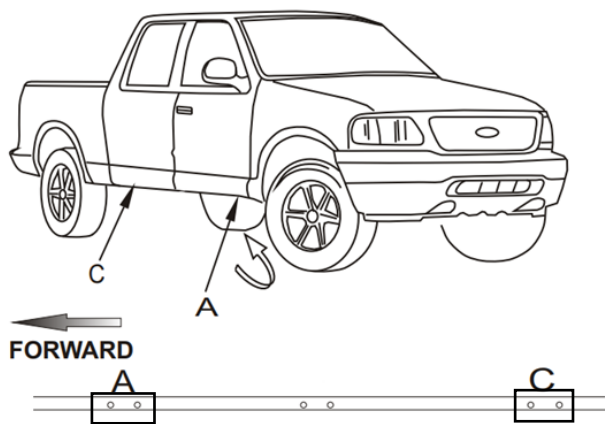
Install (2) Pedals onto the step bars with (12) M8X1.25-25mm Hex Bolts, (12) M8 Large Flat Washers and (12) M8 Lock Washers.

IMPORTANT: Don't punch the pedal with any metal hammer within pedal installation, or the pedal will be damaged.



STEP 2

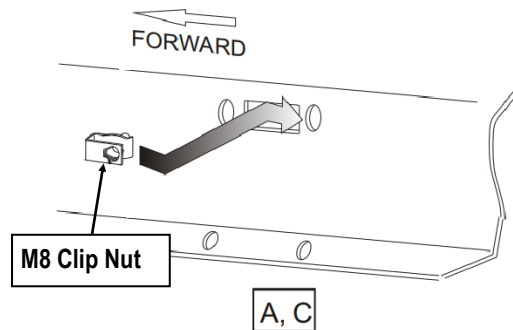
Start installation from the passenger side of the vehicle. Locate Passenger Side mounting locations as shown on Fig 1.



(Fig 1) Passenger Side Mounting Locations

STEP 3

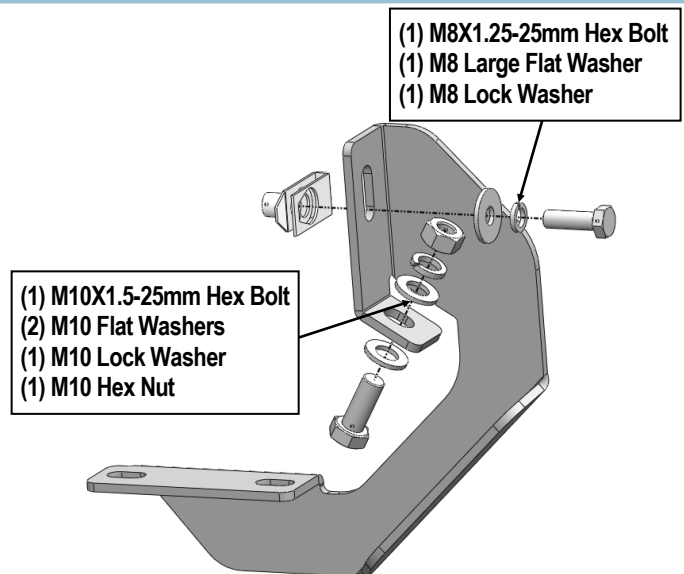
Start from the passenger front mounting location. Select (1) M8 Clip Nut. Install M8 Clip Nut as shown, (Fig 2).



(Fig 2) M8 Clip Nut Installation

STEP 4

Attach (1) Passenger side Mounting Bracket to the installed M8 Clip Nut with (1) M8X1.25-25mm Hex Bolt, (1) M8 Large Flat Washer, (1) M8 Lock Washer; to pinch weld with (1) M10X1.5-25mm Hex Bolt, (2) M10 Flat Washers, (1) M10 Lock Washer, (1) M10 Hex Nut, (Fig 3). Do not fully tighten hardware at this time.



(Fig 3) Passenger Front Mounting Bracket Installation

iArmor®

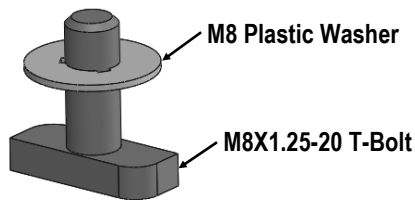
STEP 5

Move to the passenger side rear of the vehicle. Select (1) Passenger side Mounting Bracket. Repeat **Steps 1—3** to install the passenger side Rear Mounting Brackets.

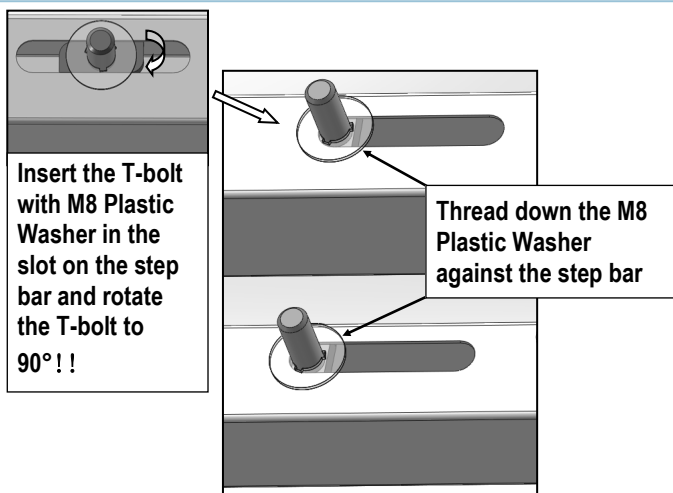
STEP 6

Once all (2) brackets have been installed, select (4) M8X1.25-20mm T-Bolts, thread (1) M8 Plastic Washer on each T-Bolt, (**Fig 4**). Install the (4) M8X1.25-20mm T-Bolts with plastic washers in the slots on the assembled step bar. Rotate the T-Bolts to 90 degree, thread down the M8 Plastic Washers against the step bar (**Fig 5**).

NOTE: The Plastic Washer is designed to keep the T-Bolt in place to avoid falling into the tube during installation.



(Fig 4) Thread (1) M8 Plastic Washer on each T-Bolt Before Inserting into the slot !!!



(Fig 5) T-Bolt with plastic washer in the slot

STEP 7

Attach the Assembled Passenger Side Step Bar onto the Mounting Brackets with (4) M8 Plastic Washers, (4) M8X1.25-20mm T-Bolts, (4) M8 Large Flat Washers, (4) M8 Nylon Lock Nuts, (**Fig 6**). Do not fully tighten hardware at this time.

STEP 8

Level and adjust the assembled Step Bar properly and tighten all hardware.

Move to the other side of the vehicle. Repeat **Steps 2-7** for the other Side Step Bar installation.

Attention

Do periodic inspections to the installation to make sure that all hardware is secure and tight.

In order to protect your bars/boards, please use mild soap/non-abrasive products for cleaning only.

iArmor[®]

