

# iArmor®

## IARMOR EDGE™

PART#: IA-N039

### BEFORE INSTALLATION

REMOVE CONTENTS FROM BOX. VERIFY ALL PARTS ARE PRESENT. READ INSTRUCTIONS CAREFULLY BEFORE STARTING INSTALLATION. ASSISTANCE IS RECOMMENDED. THANK YOU FOR CHOOSING OUR PRODUCT!

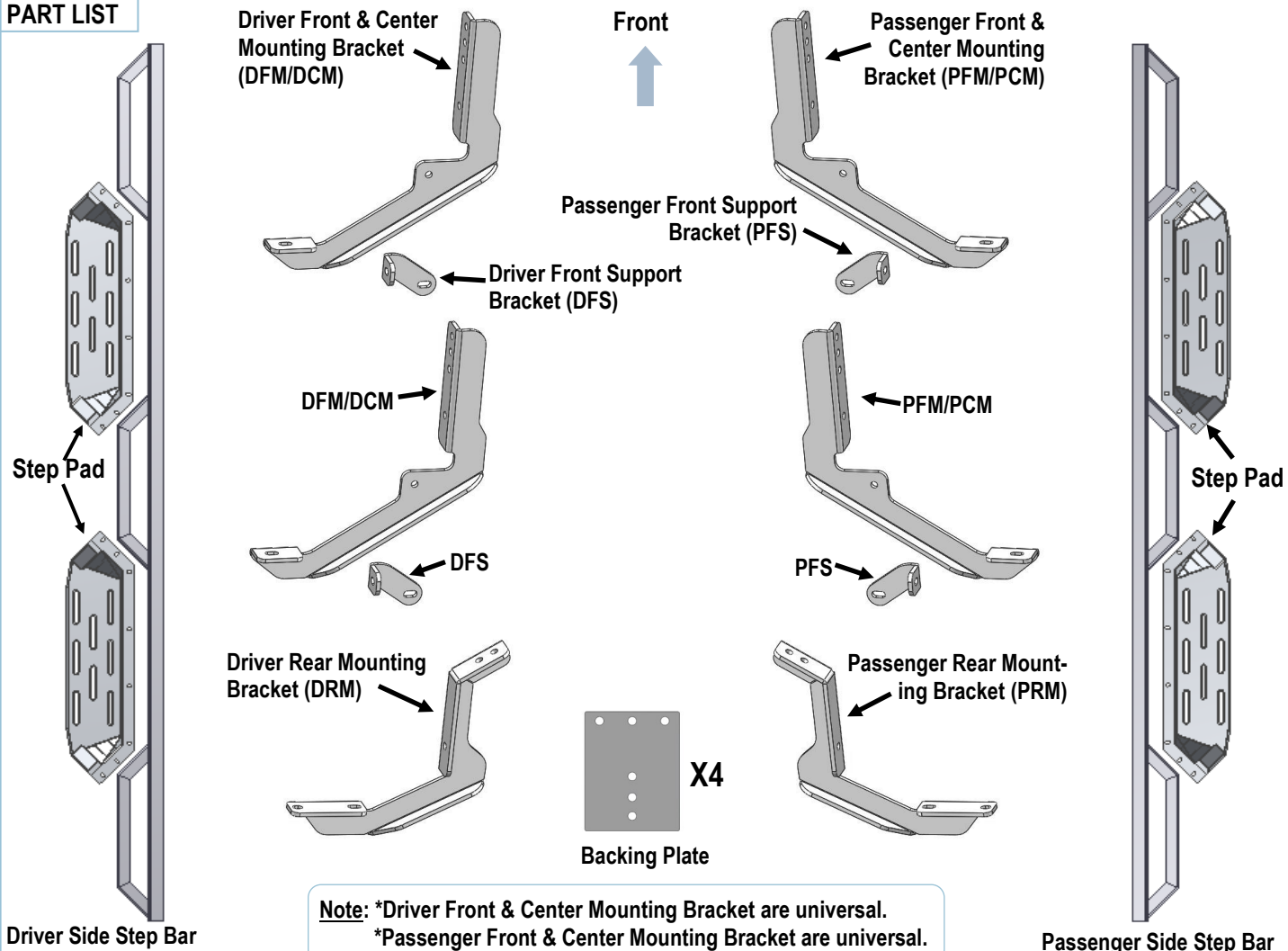
\*DRILLING IS REQUIRED

\*TRIMMING NOT REQUIRED

### Torque Value

Fastener Size	Tightening Torque (ft-lbs)	Required
6mm	6-7	√
8mm	16-18	√
10mm	31-32	X
12mm	56-58	X
14mm	92-94	X

### PART LIST



Customer Support: [info@iarmorauto.com](mailto:info@iarmorauto.com)

# iArmor®



**X4**

M8X1.25-25mm Hex Bolt



**X6**

M8X1.25-20mm Hex Bolt



**X20**

M8 Large Flat Washer



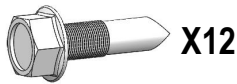
**X10**

M8 Lock Washer



**X10**

M8 Hex Nut



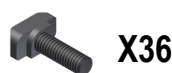
**X12**

ST6.3x22mm Hex Self Tapping Screw



**X8**

M6X1-20mm Square Head Bolt



**X36**

M6X1-20mm T-Bolt



**X44**

M6 Large Flat Washer



**X44**

M6 Nylon Lock Nut

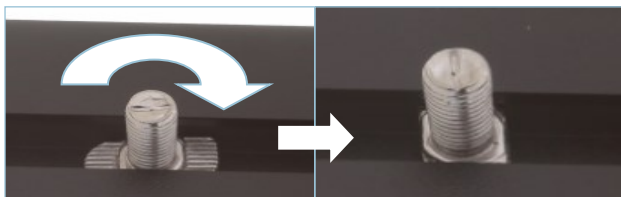
The instruction here is for your reference only. We strongly recommend the professional installer for best result. We are not responsible for any damage caused by the installation.

## STEP 1

Install the Step Pads onto the step bars with (32) M6X1-20mm T-Bolts, (32) M6 Large Flat Washers and (32) M6 Nylon Lock Nuts.

**IMPORTANT:** Don't hit the step pad by any metal hammer within step pad installation, or the step pad will be damaged.

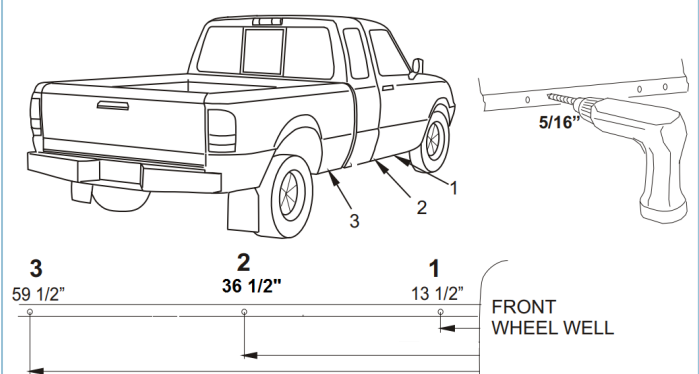
(8) M6X1-20 mm T-Bolts  
(8) M6 Flat Washers  
(8) M6 Nylon Lock Nuts



**Note: Rotate 90° after inserting the T-Bolts into the Channel!!!**

## STEP 2

Start installing from the passenger side of the vehicle. Drill 5/16" holes on pinch weld and body panel as shown (Both sides), (Fig 1).



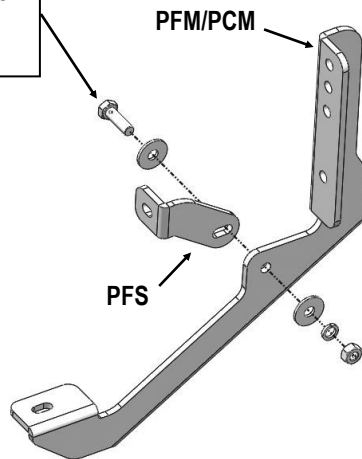
(Fig 1) Passenger Side Mounting Locations

## STEP 3

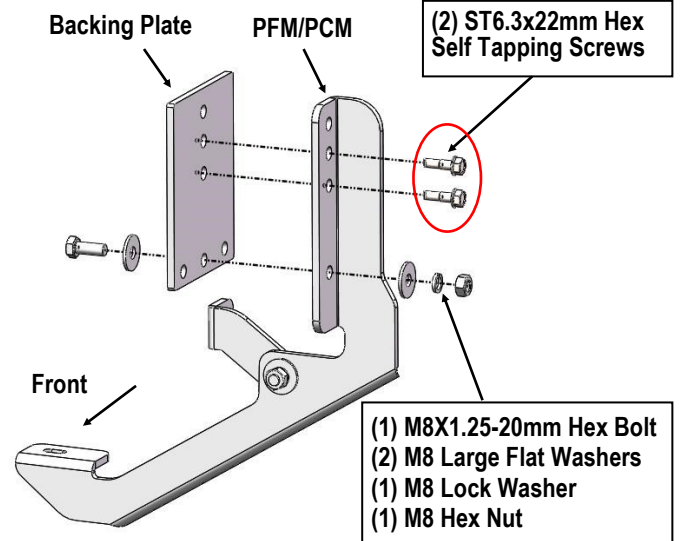
Assemble Passenger Front Mounting Bracket (PFM/PCM) and Passenger Front Support Bracket (PFS) with (1) M8X1.25-25mm Hex Bolt, (2) M8 Large Flat Washers, (1) M8 Lock Washer and (1) M8 Hex Nut, (Fig 2). Don't fully tighten hardware at this time.

# iArmor®

- (1) M8X1.25-25mm Hex Bolt
- (2) M8 Large Flat Washers
- (1) M8 Lock Washer
- (1) M8 Hex Nut



(Fig 2) Passenger Front Mounting Bracket Assembly



(Fig 3) Passenger Front Mounting Bracket Installed

## STEP 4

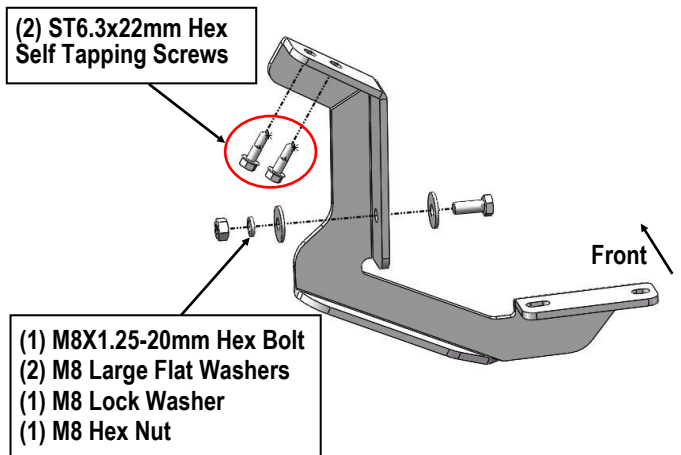
Attach the assembled Passenger Front Mounting Bracket and Backing Plate to body panel and pinch weld with (2) ST6.3x22mm Hex Self Tapping Screws, (1) M8X1.25-20mm Hex Bolt, (2) M8 Large Flat Washers, (1) M8 Lock Washer and (1) M8 Hex Nut, (Fig 3). Do not fully tighten hardware at this time.

## STEP 5

Move to the Passenger Side Center Mounting Location. Repeat **Steps 2-4** to install and assemble the Brackets. Do not fully tighten hardware at this time.

## STEP 6

Move to the Passenger Side Rear Mounting Location. Attach Passenger Rear Mounting Bracket to vehicle with (2) ST6.3x22mm Hex Self Tapping Screws, (1) M8X1.25-20mm Hex Bolt, (2) M8 Large Flat Washers, (1) M8 Lock Washer and (1) M8 Hex Nut, (Fig 4). Don't fully tighten hardware at this time.



(Fig 4) Passenger Rear Mounting Bracket Installed

# iArmor®

## STEP 7

Once all (3) Passenger side mounting brackets are installed, select and attach the Passenger Side Step Bar onto the Mounting Brackets with (4) M6X1-20mm Square Head Bolts, (2) M6X1-20mm T-Bolts, (6) M6 Large Flat Washers and (6) M6 Nylon Lock Nuts, (Fig 5). Do not fully tighten hardware at this time.

## STEP 8

Properly level and adjust the Step Bar and fully tighten all hardware.

## STEP 9

Move to the other side of the vehicle. Repeat **Steps 1—8** for other side Step Bar installation.

### Attention

Do periodic inspections to the installation to make sure that all hardware is secure and tight.

In order to protect your bars/boards, please use only mild soap/non-abrasive products for cleaning.

(Fig 5) Passenger Side Step Bar Installation

